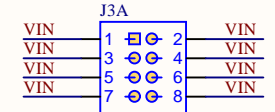
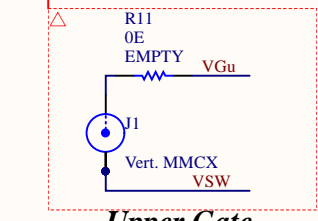
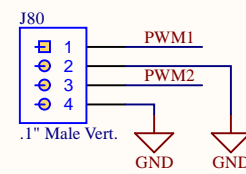


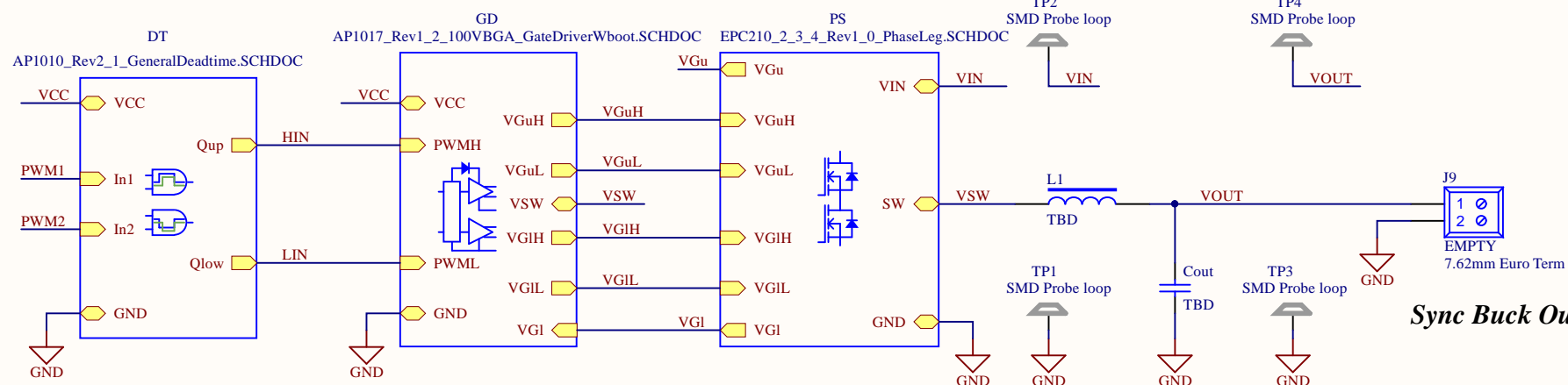
Intermediate Capacitors



Main Supply Input



Signal Inputs

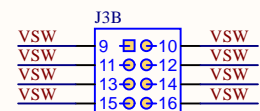


dead-time and buffers

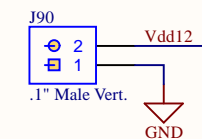
Gate Driver

Power Stage

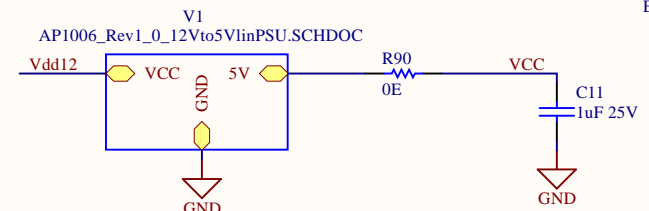
Sync Buck Output



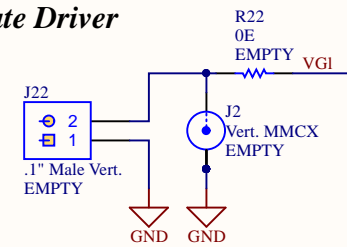
SW Output



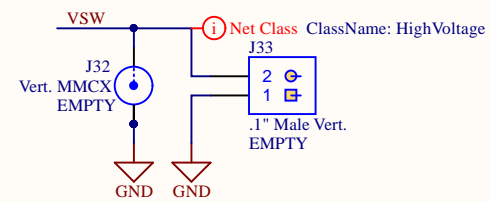
**Logic Supply
12VDC**



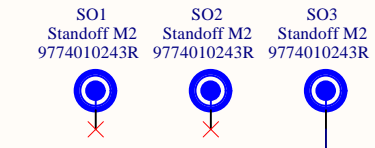
5 V Logic Regulator



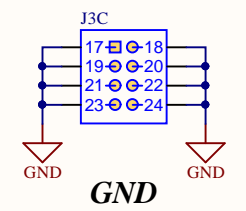
Lower Gate



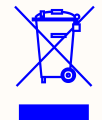
Switch-node



Heatspreader Mount



GND

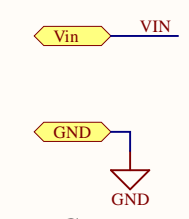


For evaluation only;
not FCC approved for resale

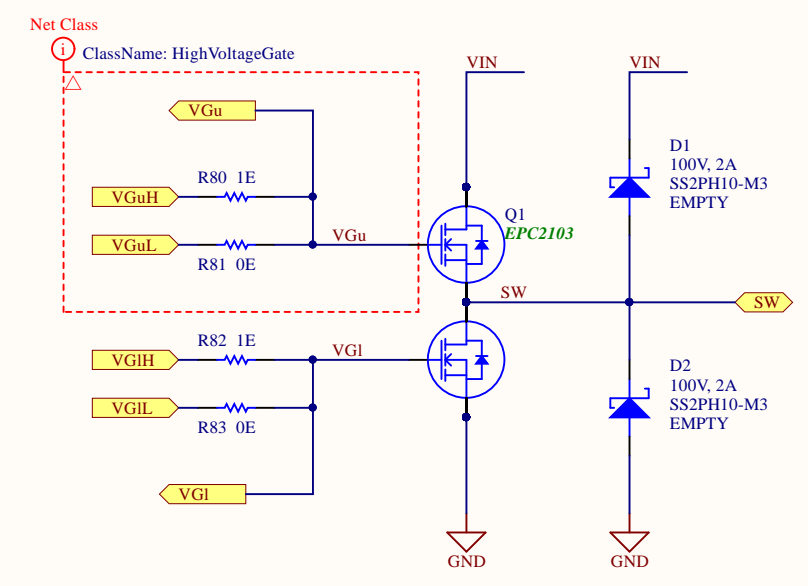
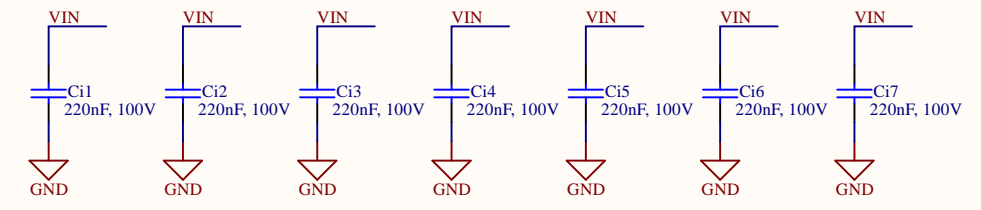
© Copyright EPC 2020

Evaluation Board for EPC2102 EPC2103 EPC2104

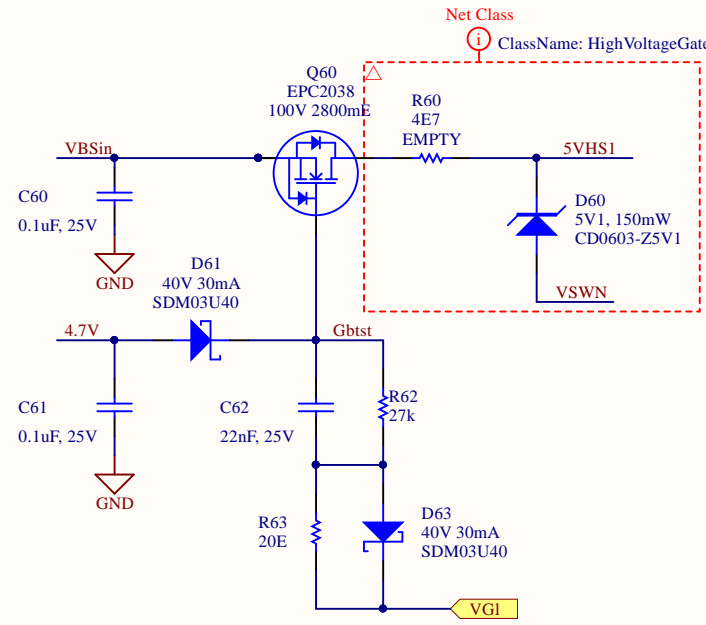
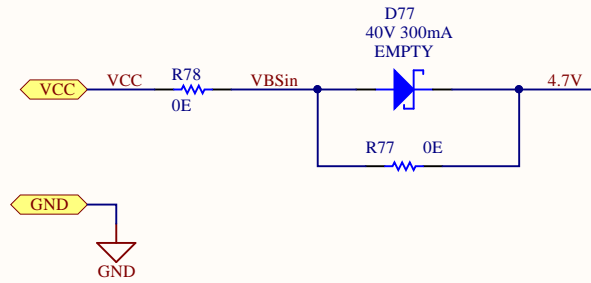
Title: EPC9038 B5001 Rev. 2.0		Efficient Power Conversion 909 N. Pacific Coast Hwy, Ste. 231 El Segundo, CA 90245 United States www.epc-co.com	
Size: A	Revision: 1	Cannot open file C:\EPCLibrary\EPC Library\Logos\EPC_Log oL.jpg	
Date: 8/24/2020	Sheet 1 of 1	EFFICIENT POWER CONVERSION	
File: EPC9038_B5001_Rev2_0.SCHDOC			



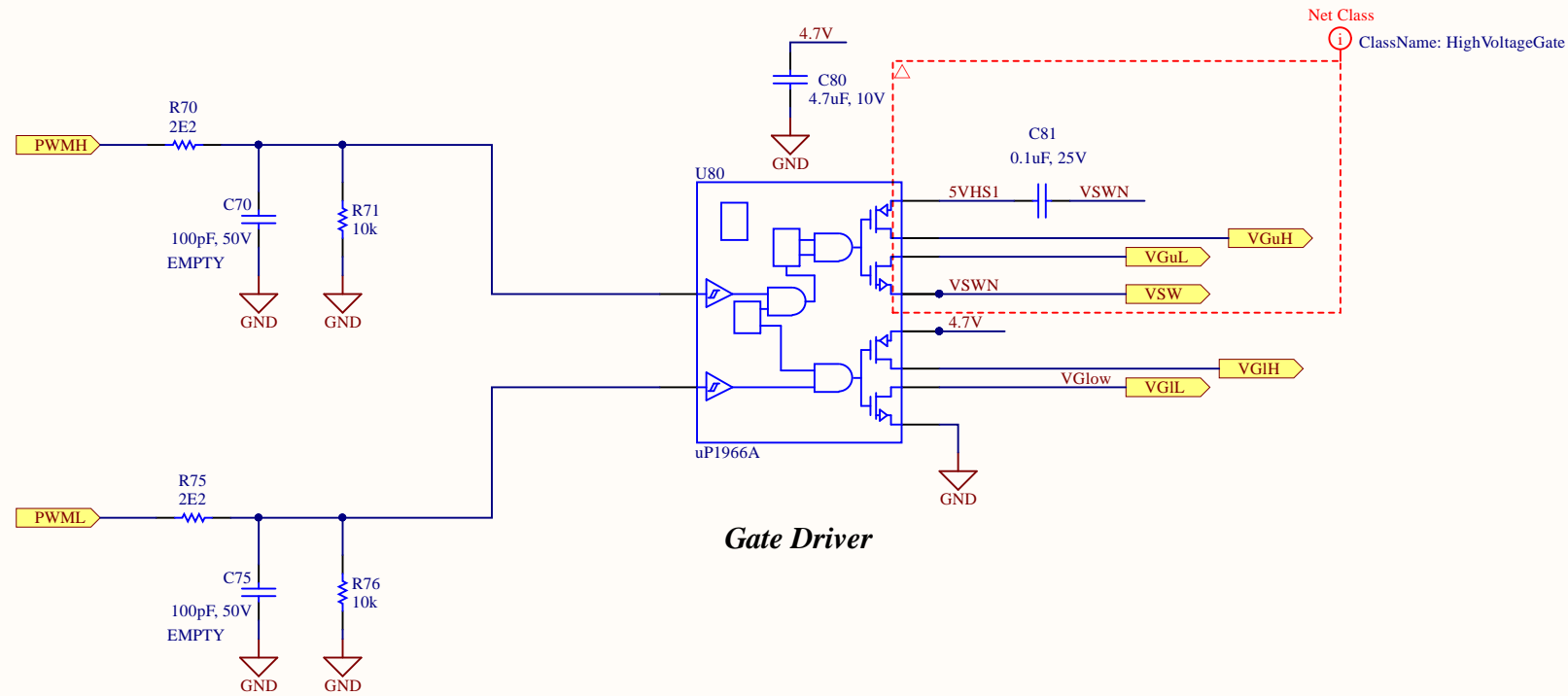
60 Vmax. EPC2102
80 Vmax. EPC2103
100 Vmax. EPC2104



Sync Boot = Install R60 and D77, remove R77
 No Sync Boot = Install R77, remove R60 and D77
 Default = No Sync Boot




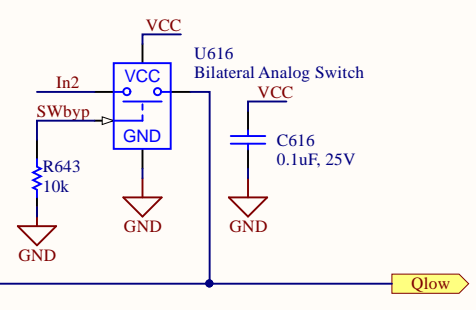
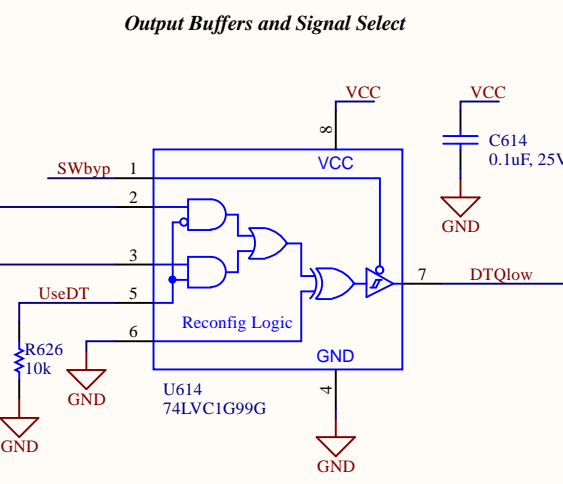
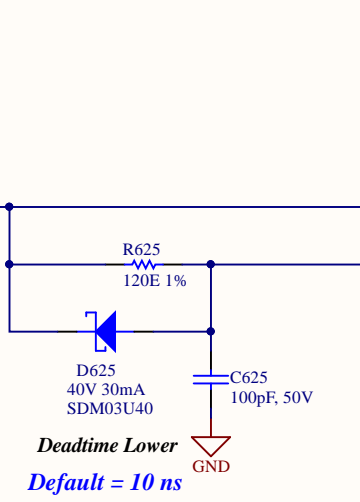
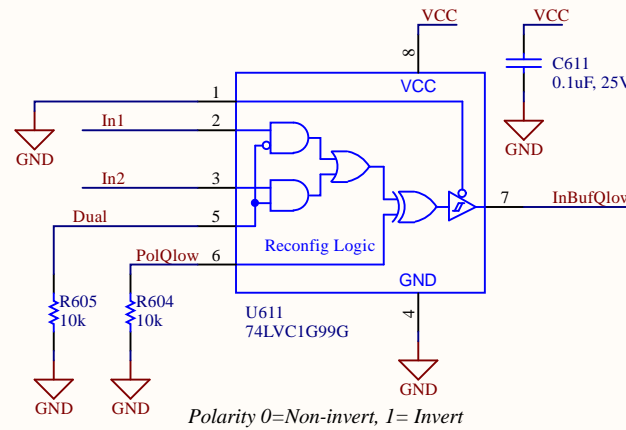
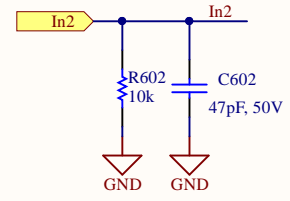
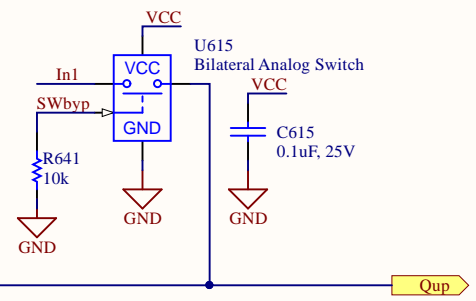
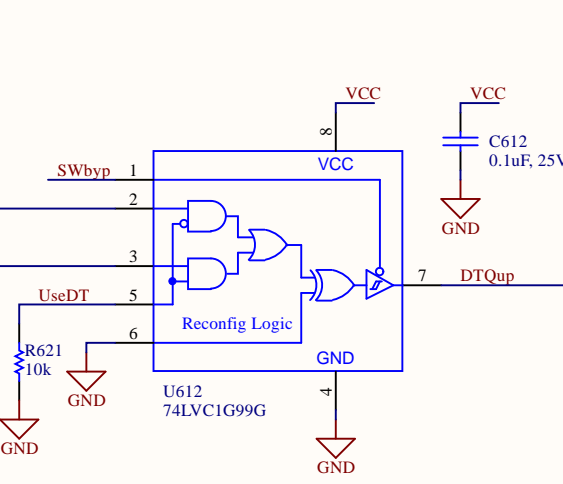
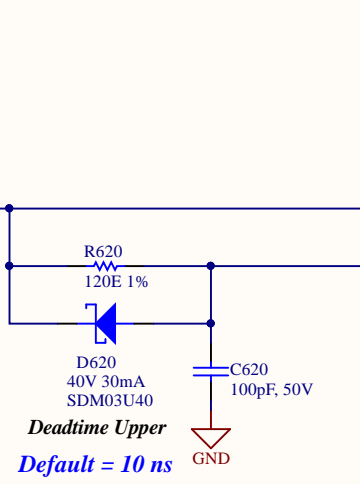
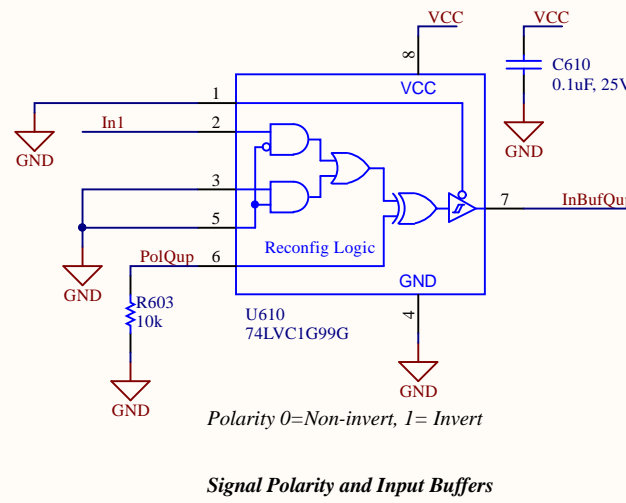
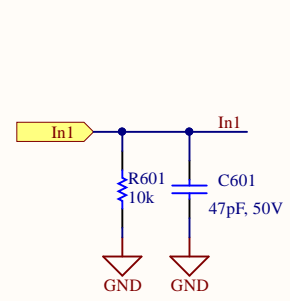
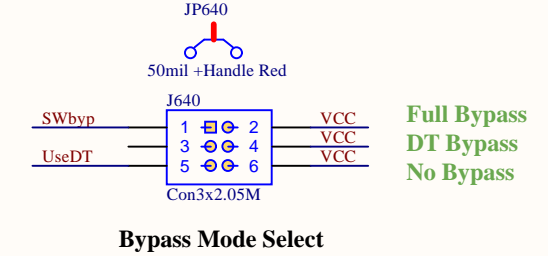
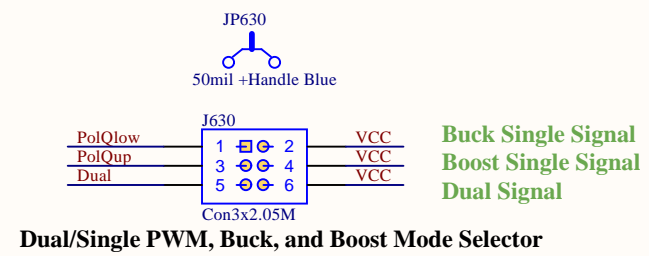
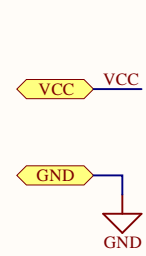
Synchronous Bootstrap Power Supply



Gate Driver

100 V Gate Driver with Bootstrap

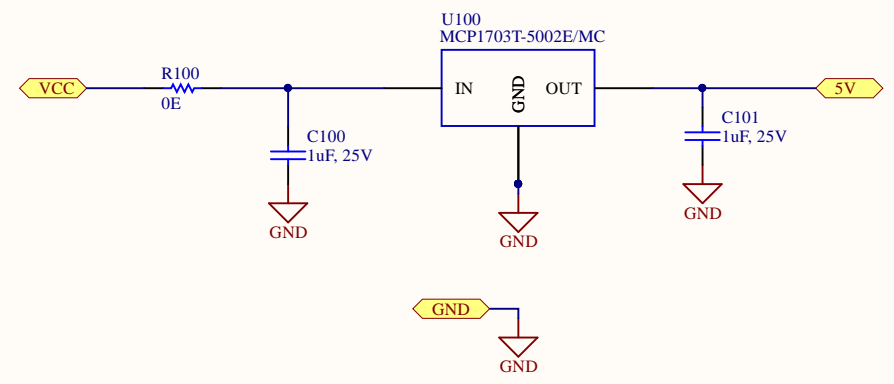
Title AP1017 Rev. 1.2		Efficient Power Conversion 909 N. Pacific Coast Hwy, Ste. 23 El Segundo, CA 90245 United States www.epc-co.com	
Size: A	*	Revision: 1	
Date: 8/17/2020		Sheet 1 of 1	
File: AP1017_Rev1_2_100VBGA_GateDriverWboot.SCHDOC			




© Copyright EPC 2020

General Dead-time with Polarity Changer and Bypass

Title AP1010 Rev. 2.1		Efficient Power Conversion 909 N. Pacific Coast Hwy, Ste. 23 El Segundo, CA 90245 United States www.epc-co.com	
Size: A	*	Revision: 1	
Date: 8/19/2020		Sheet 1 of 1	
File: AP1010_Rev2_1_GeneralDeadtime.SCHDOC			



12 V to 5 V LDO power supply

Title AP1006 Rev. 1.0		Efficient Power Conversion 909 N. Pacific Coast Hwy, Ste. 23 El Segundo, CA 90245 United States www.epc-co.com	
Size: A	*	Revision: 1	
Date: 8/11/2020		Sheet 1 of 1	
File: AP1006_Rev1_0_12Vto5VlinPSU.SCHDOC			

© Copyright EPC 2020