

EPC2020 SPICE Thermal Model

$R_{\theta JC}$ & $R_{\theta JB}$

EPC2020 $R_{\theta JC}$ SPICE Thermal Model

Typical $R_{\theta JC} = 0.5 \text{ }^\circ\text{C/W}$

$$CTHERM1 \text{ th } 3 = 0.016$$

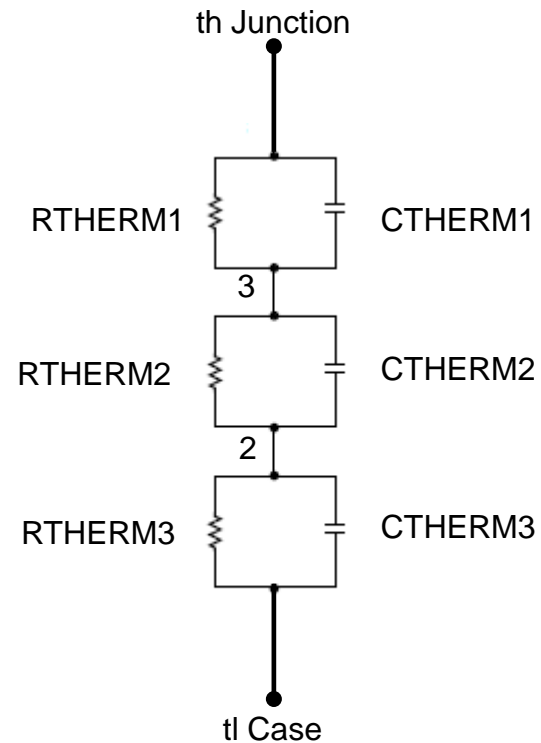
$$CTHERM2 \text{ 3 } 2 = 0.080$$

$$CTHERM3 \text{ 2 } \text{tl} = 0.009$$

$$RTHERM1 \text{ th } 3 = 0.27$$

$$RTHERM2 \text{ 3 } 2 = 0.13$$

$$RTHERM3 \text{ 2 } \text{tl} = 0.10$$



EPC2020 $R_{\theta JB}$ SPICE Thermal Model

Typical $R_{\theta JB} = 1.4 \text{ } ^\circ\text{C/W}$

$$CTHERM1 \text{ th } 3 = 0.036$$

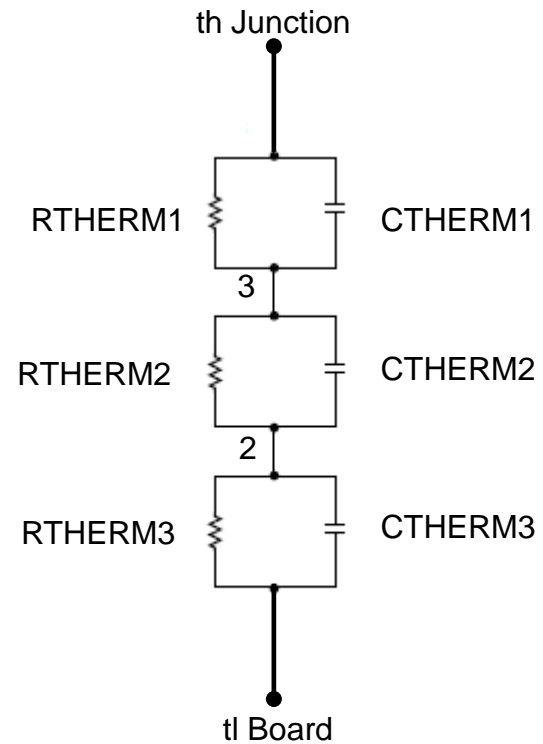
$$CTHERM2 \text{ 3 } 2 = 0.075$$

$$CTHERM3 \text{ 2 } \text{tl} = 0.007$$

$$R THERM1 \text{ th } 3 = 1.03$$

$$R THERM2 \text{ 3 } 2 = 0.22$$

$$R THERM3 \text{ 2 } \text{tl} = 0.15$$





*The end of the road
for silicon.....*

*is the beginning of
the eGaN FET
journey!*

