

EPC2039 Thermal Model

$R_{\theta JB}$ & $R_{\theta JC}$

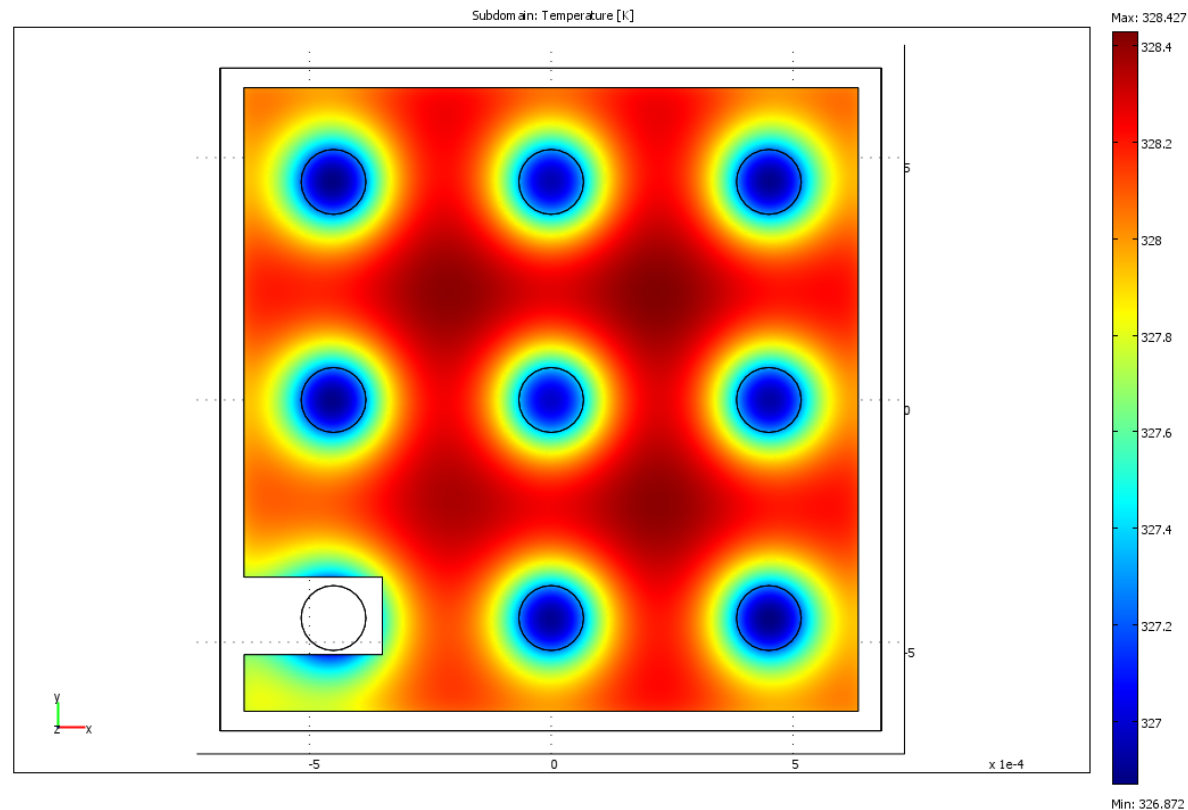
Steady State $R_{\theta JB}$

Junction Temperature under 1W Internal Dissipation

$$R_{\theta JB} = 28.4 \text{ } ^\circ \text{C/W}$$

(using max temperature rise in junction)

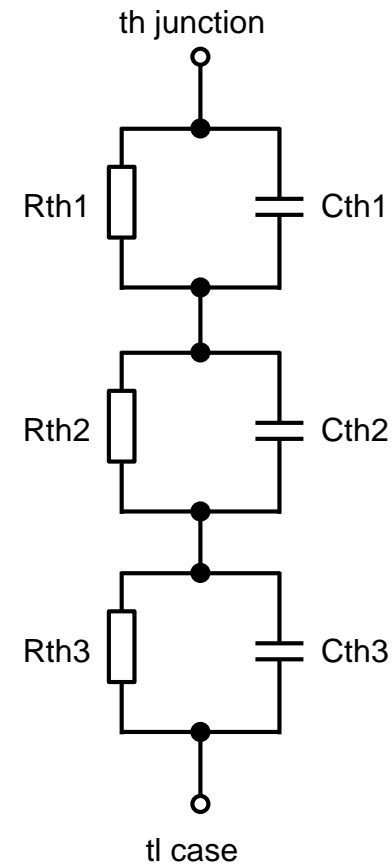
- 1 W total is dissipated in the entire device, with the same power density in the all 3 active regions
- Top of bumps are set to 300K, backside of silicon substrate is floating



Transient $R_{\theta JB}$

Transient junction temperature as a function of time under 1W load

Fitting parameter	Value
Rth1	28.4 ° C/W
Cth1	2.81E-3 J/° C
Rth2	2.07E-2 ° C/W
Cth2	3.68E-3 J/° C
Rth3	1.98E-2 ° C/W
Cth3	3.02E-3 J/° C

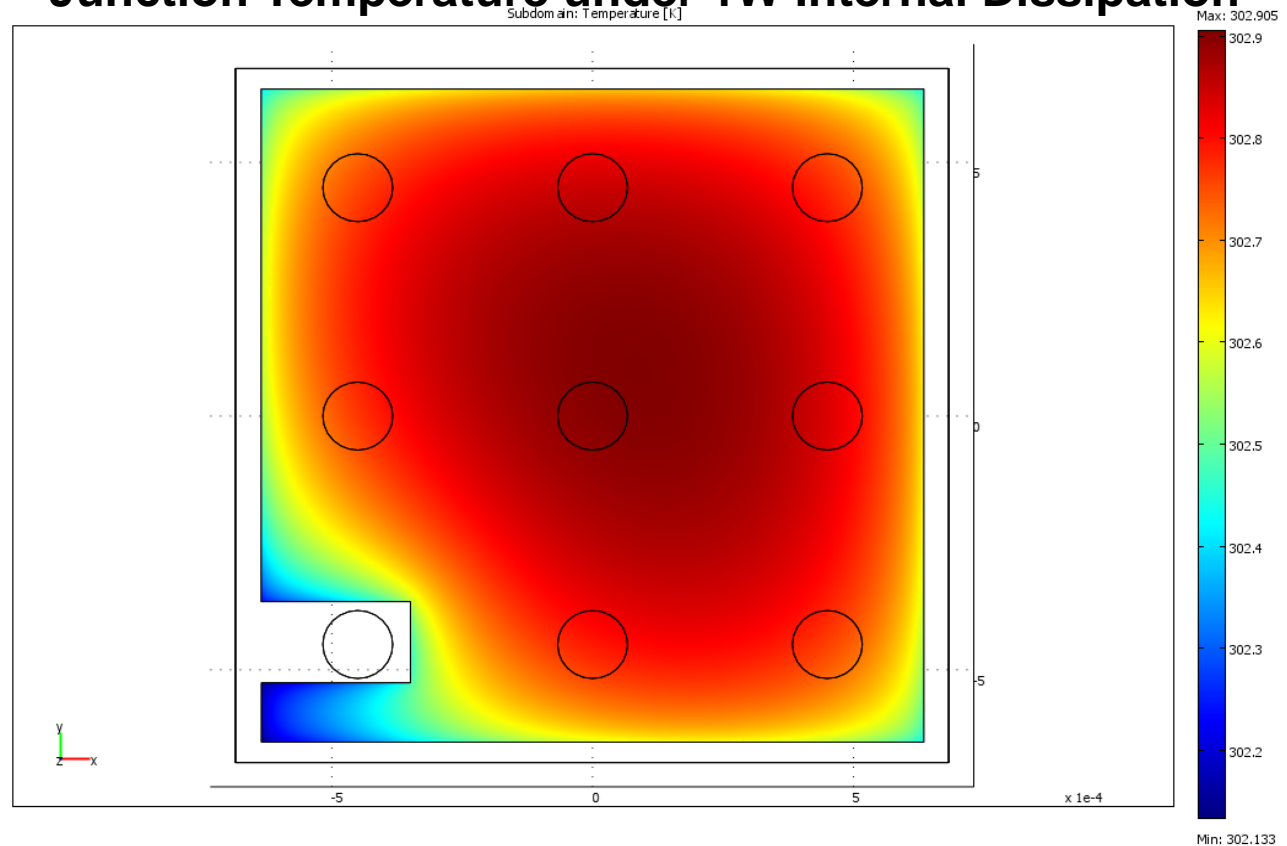


Steady State $R_{\theta JC}$

Junction Temperature under 1W Internal Dissipation

$R_{\theta JC} = 2.9 \text{ } ^\circ \text{C/W}$
(using max temperature rise in junction)

- 1 W total is dissipated in the entire device, with the same power density in the all 3 active regions
- Top of bumps are thermally floating, backside of silicon substrate set to 300K



Transient $R_{\theta JC}$

Transient junction temperature as a function of time under 1W load

Fitting parameter	Value
Rth1	2.69 ° C/W
Cth1	1.41E-3 J/° C
Rth2	0.207 ° C/W
Cth2	1.8E-2 J/° C
Rth3	3.12E-3 ° C/W
Cth3	1.68E-3 J/° C

