

Figure 15: EPC9004C Main schematic

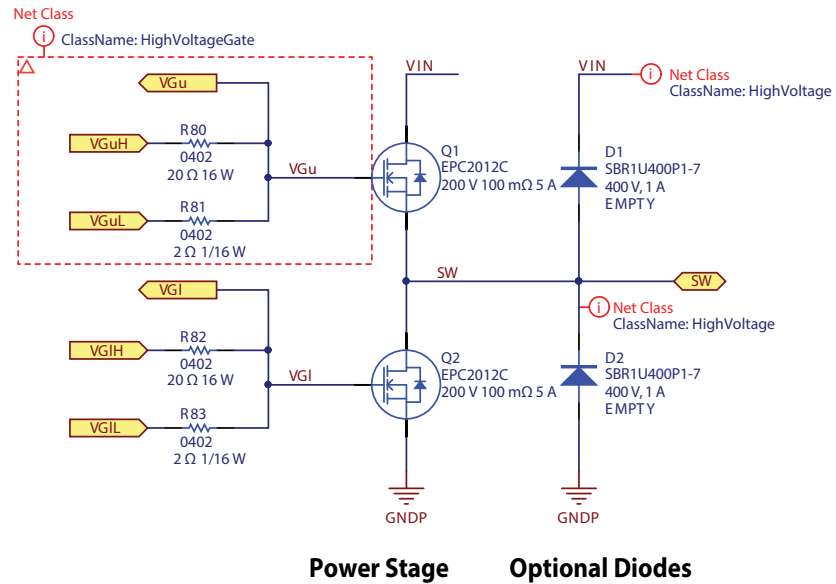
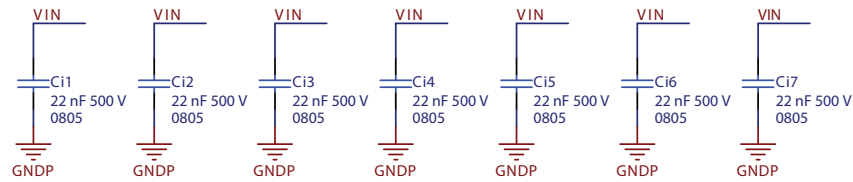
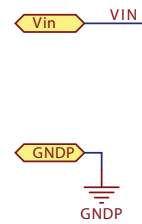


Figure 16: EPC9004C Power Stage schematic

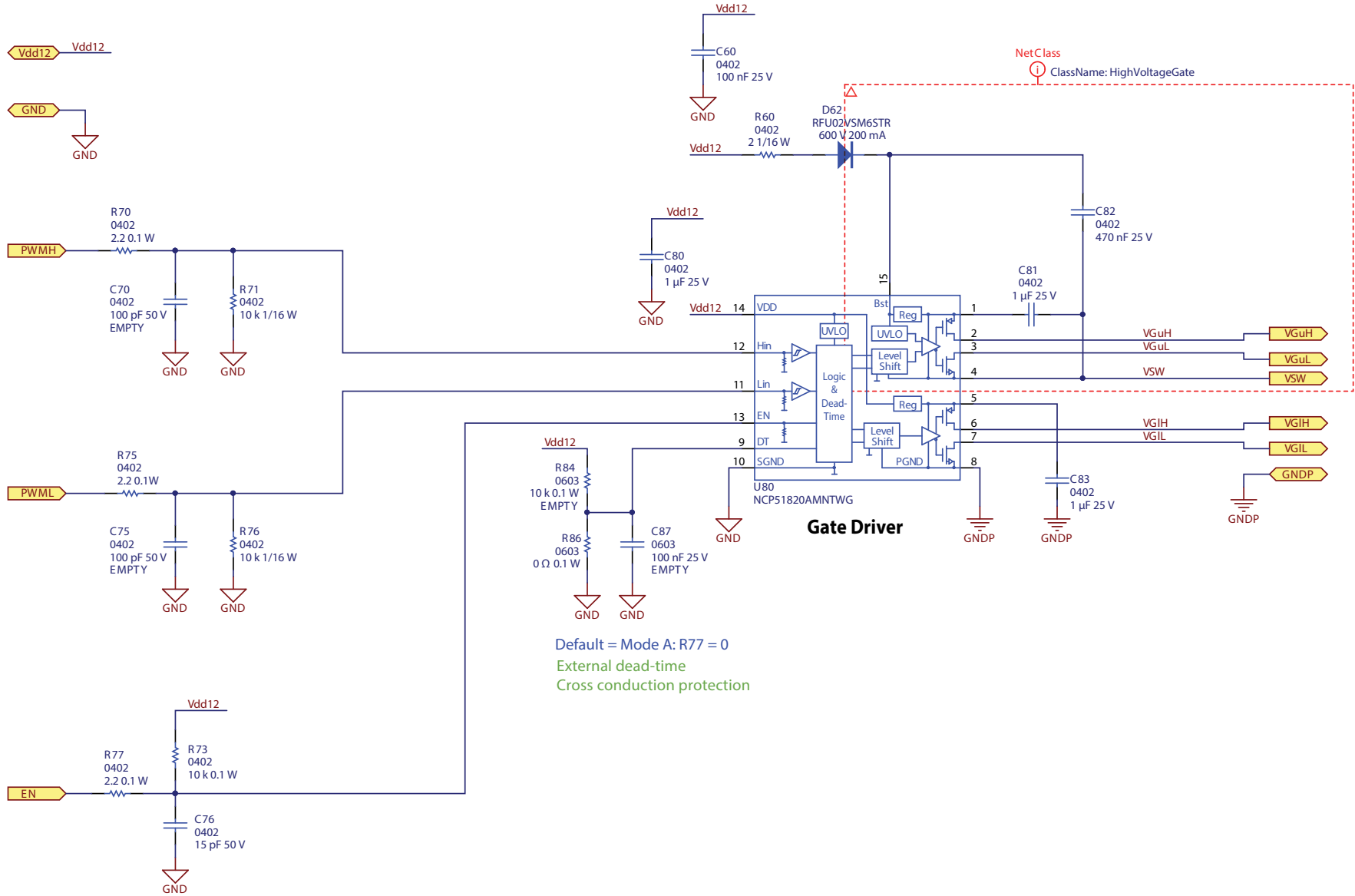


Figure 17: EPC9004C Gate Driver schematic

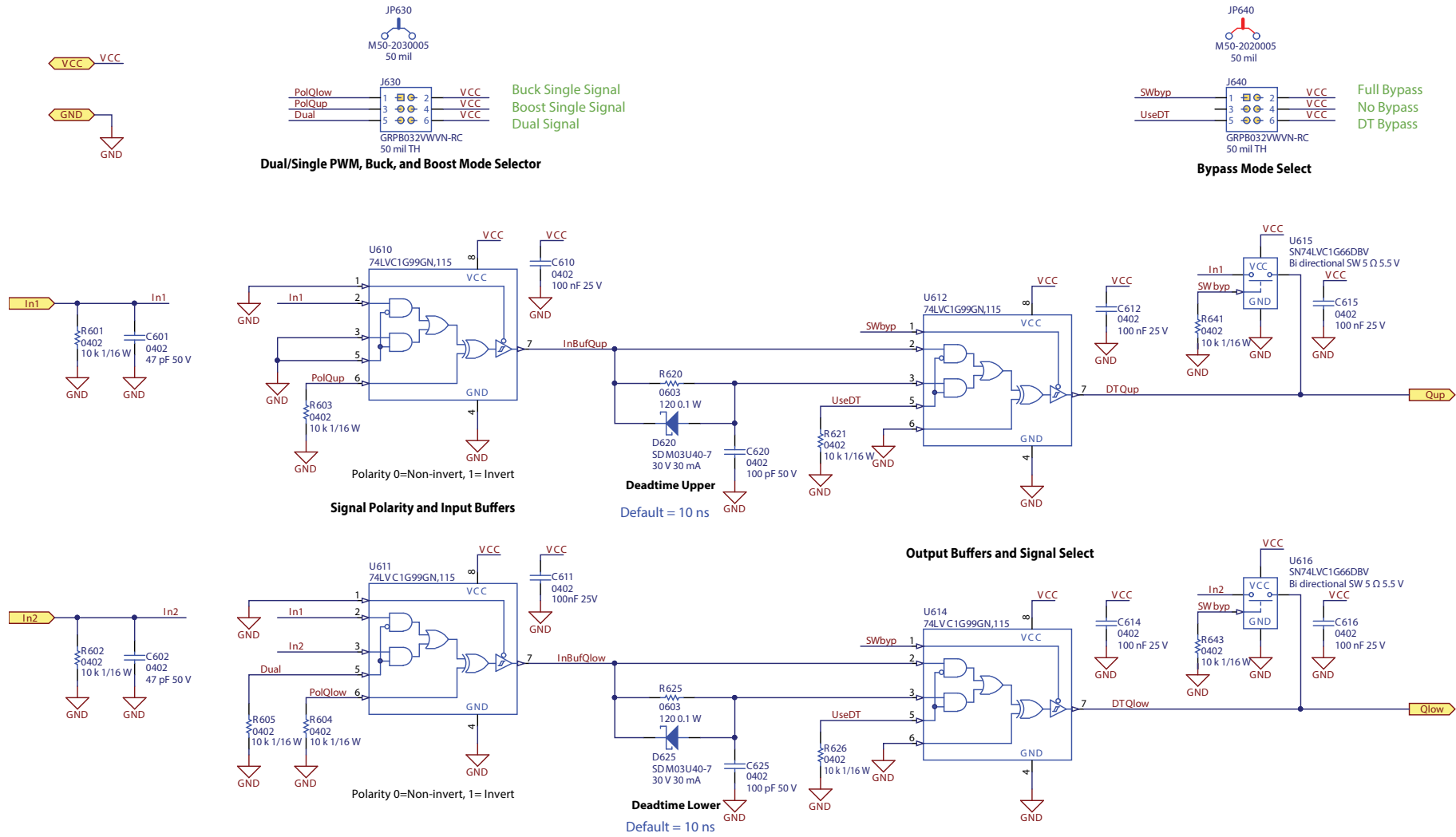


Figure 18: EPC9004C Dead-time and Bypass schematic

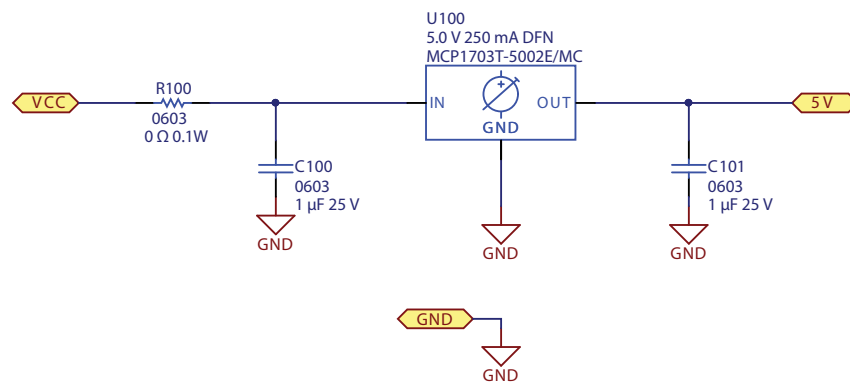


Figure 19: EPC9004C Logic Supply Regulator schematic