

Figure 14: EPC90121 main schematic

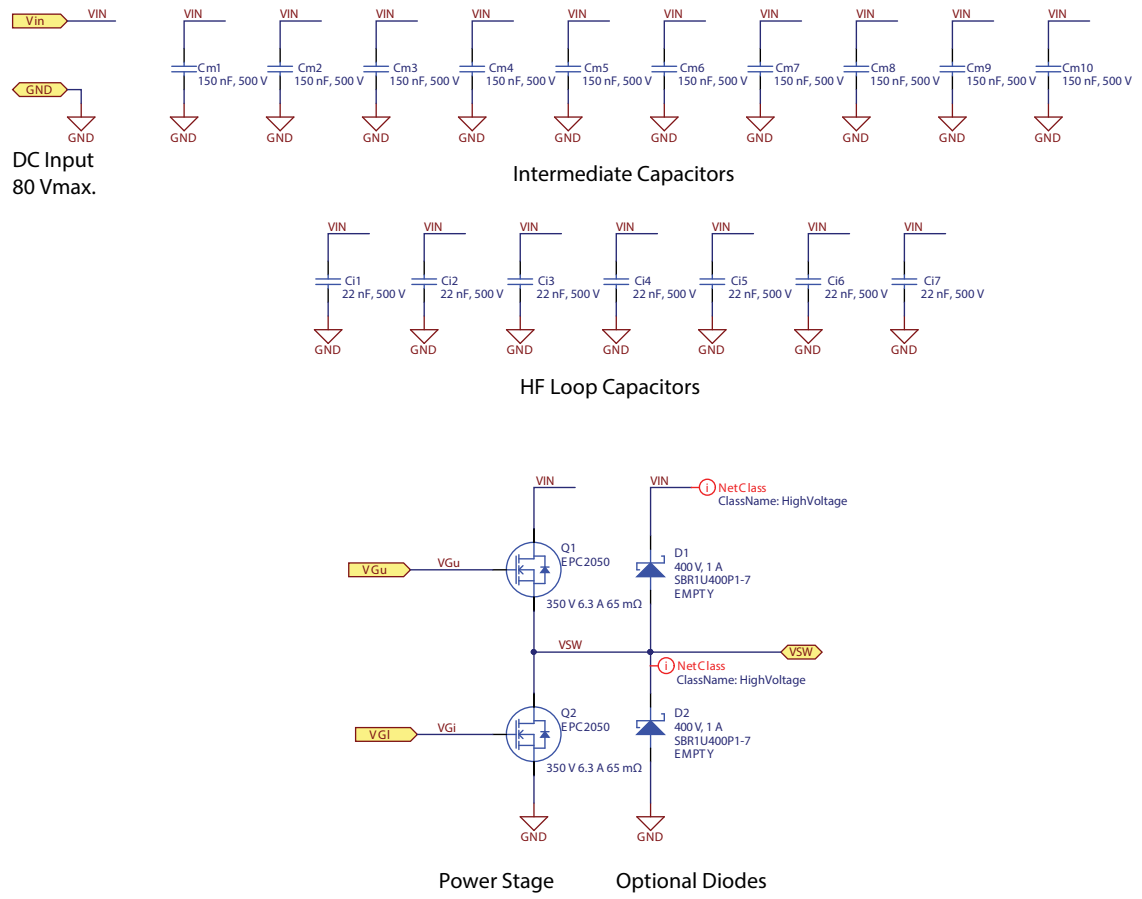


Figure 15: EPC90121 Power Stage schematic



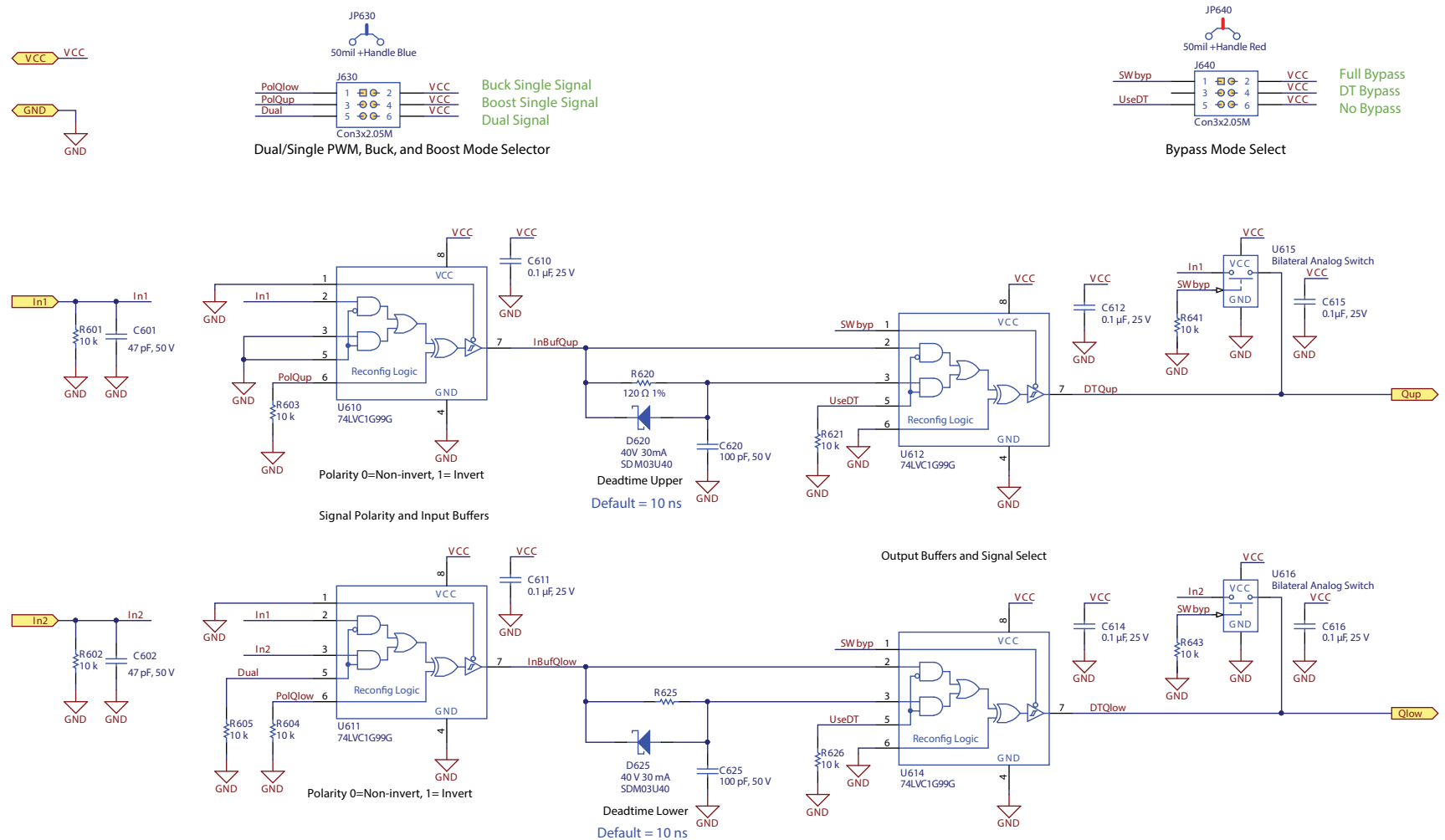


Figure 17: EPC90121 Dead-time and Bypass schematic

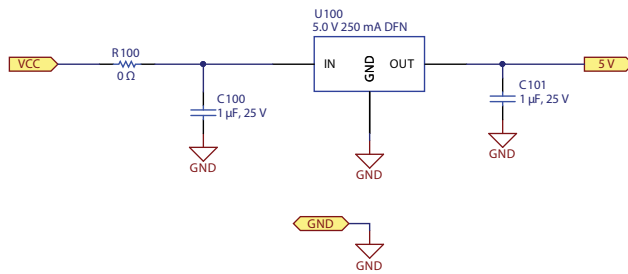


Figure 18: EPC90121 Logic Supply Regulator schematic