

Figure 11: EPC90132 main schematic

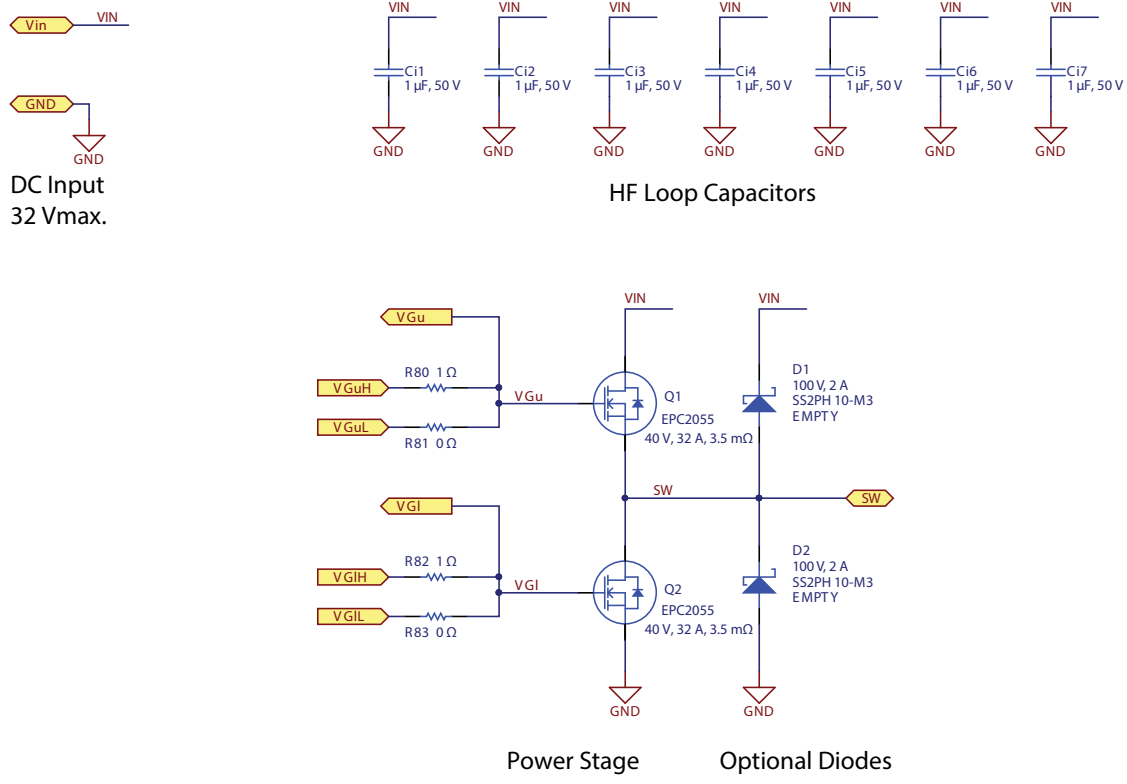
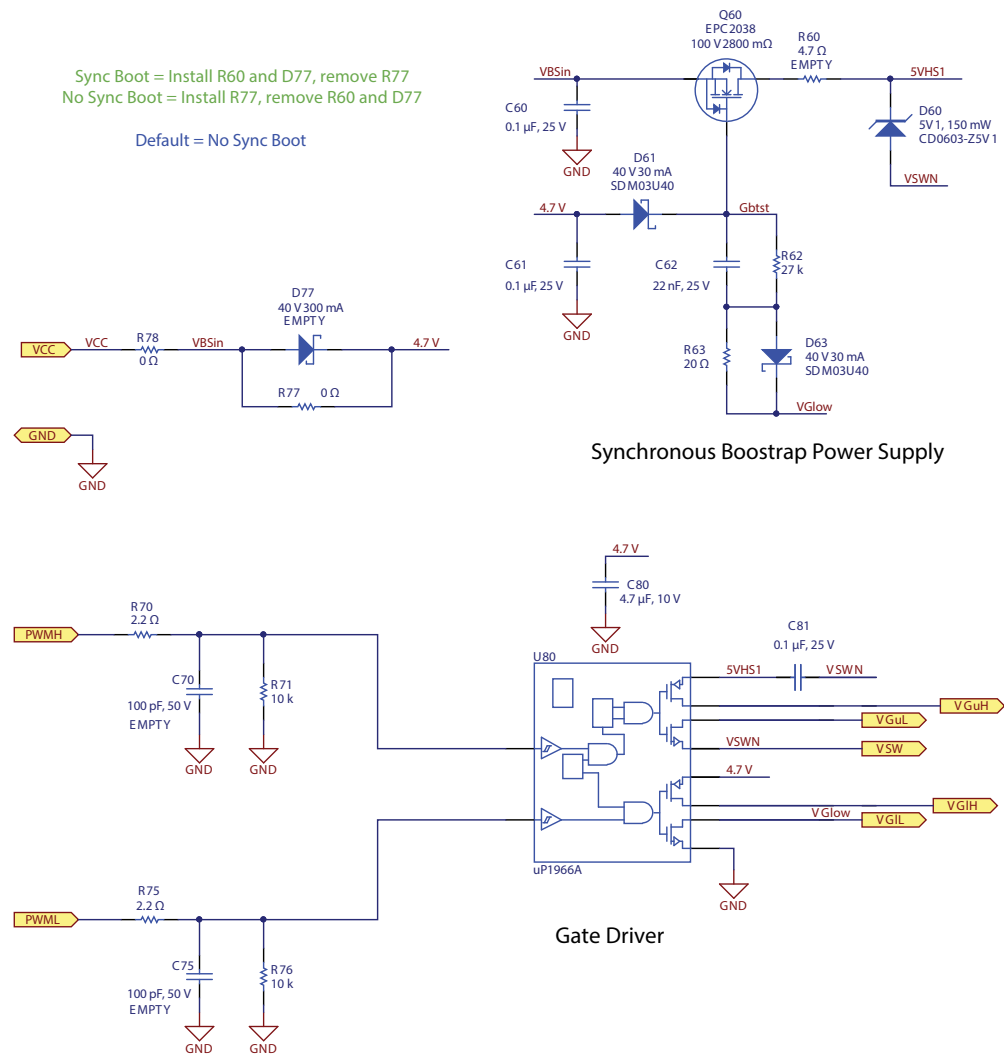


Figure 12: Power Stage schematic using the EPC2055



Sync Boot = Install R60 and D77, remove R77  
No Sync Boot = Install R77, remove R60 and D77

Default = No Sync Boot

Synchronous Bootstrap Power Supply

Gate Driver

Figure 13: Gate Driver schematic

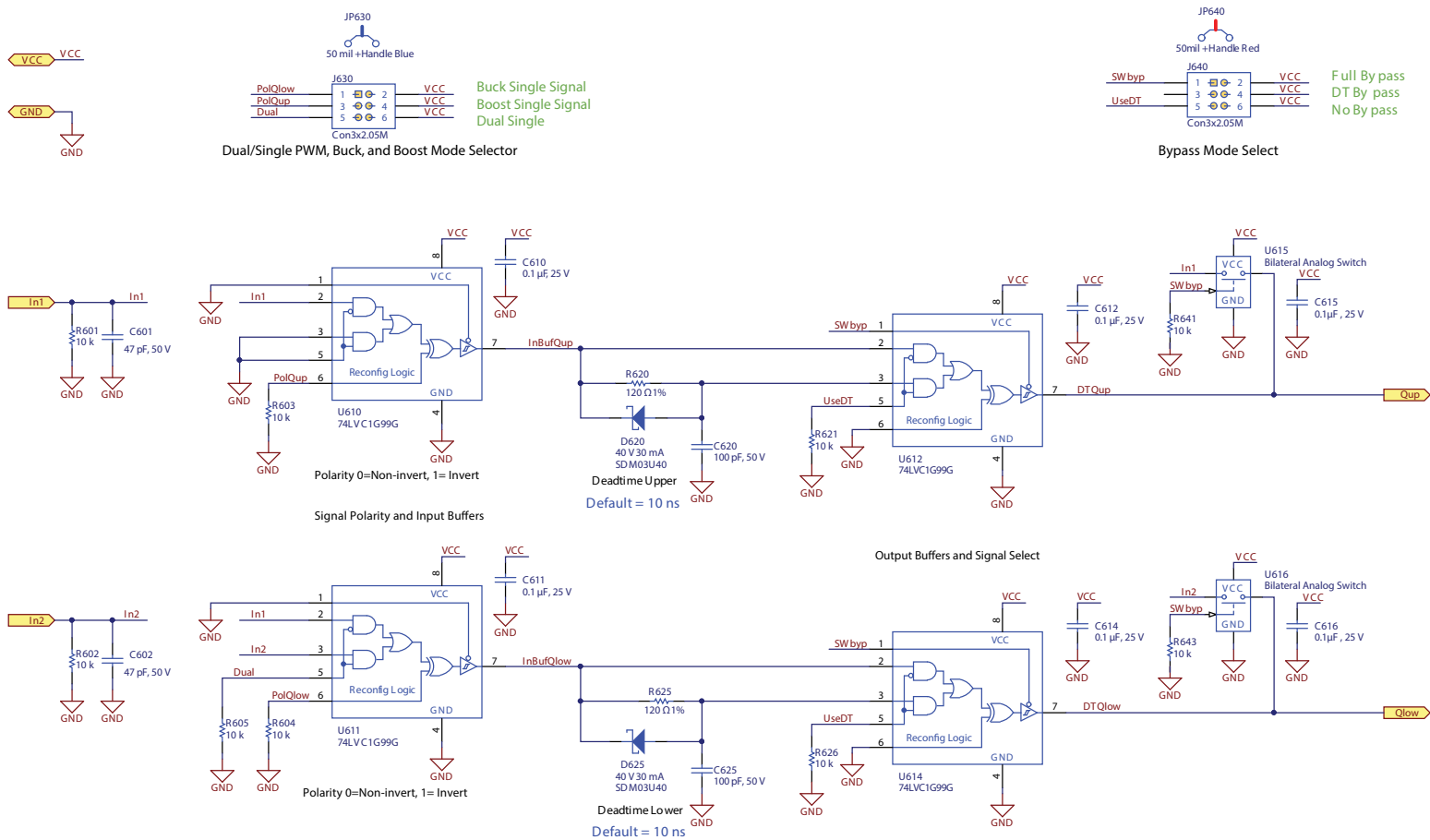


Figure 14: Dead-time and Bypass schematic

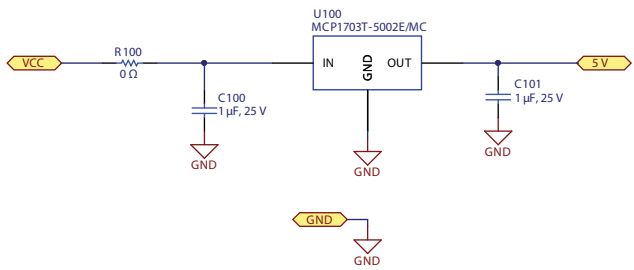


Figure 15: Logic Supply Regulator schematic