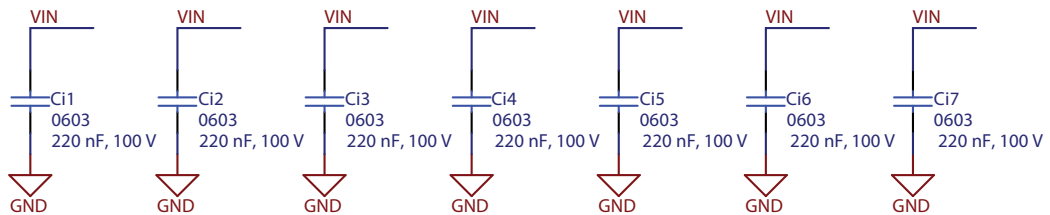
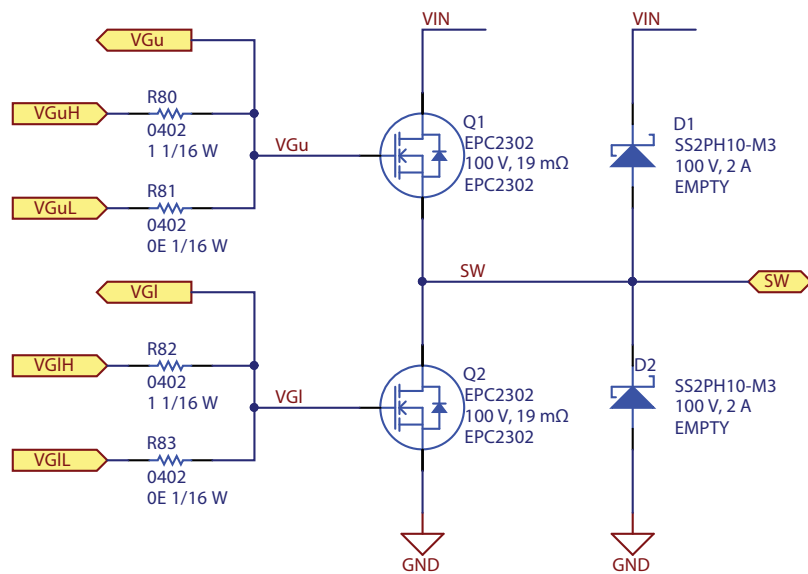


Figure 13: EPC90133 main schematic



HF Loop Capacitors



Power Stage

Optional Diodes

Figure 14: Power Stage schematic using the EPC2302

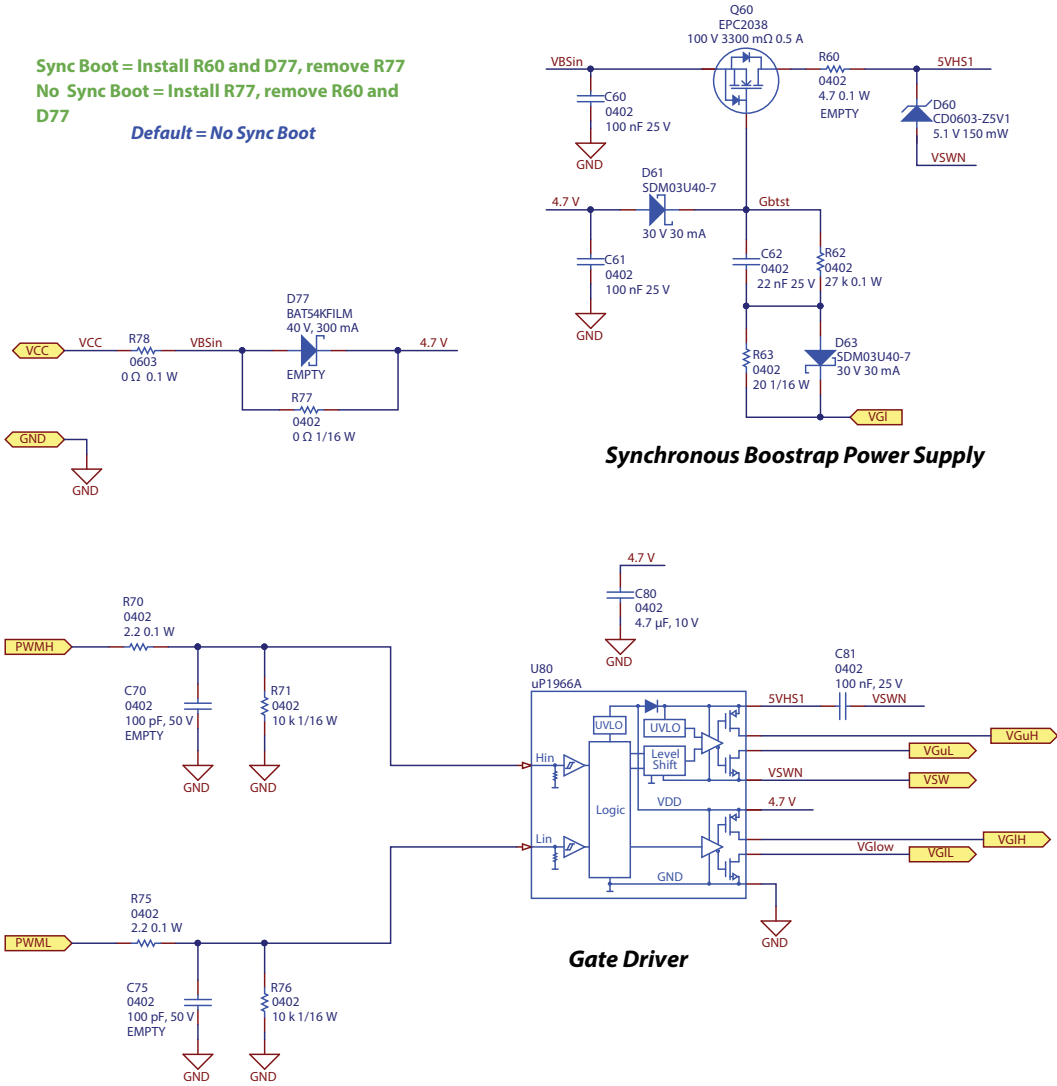


Figure 15: Gate Driver schematic

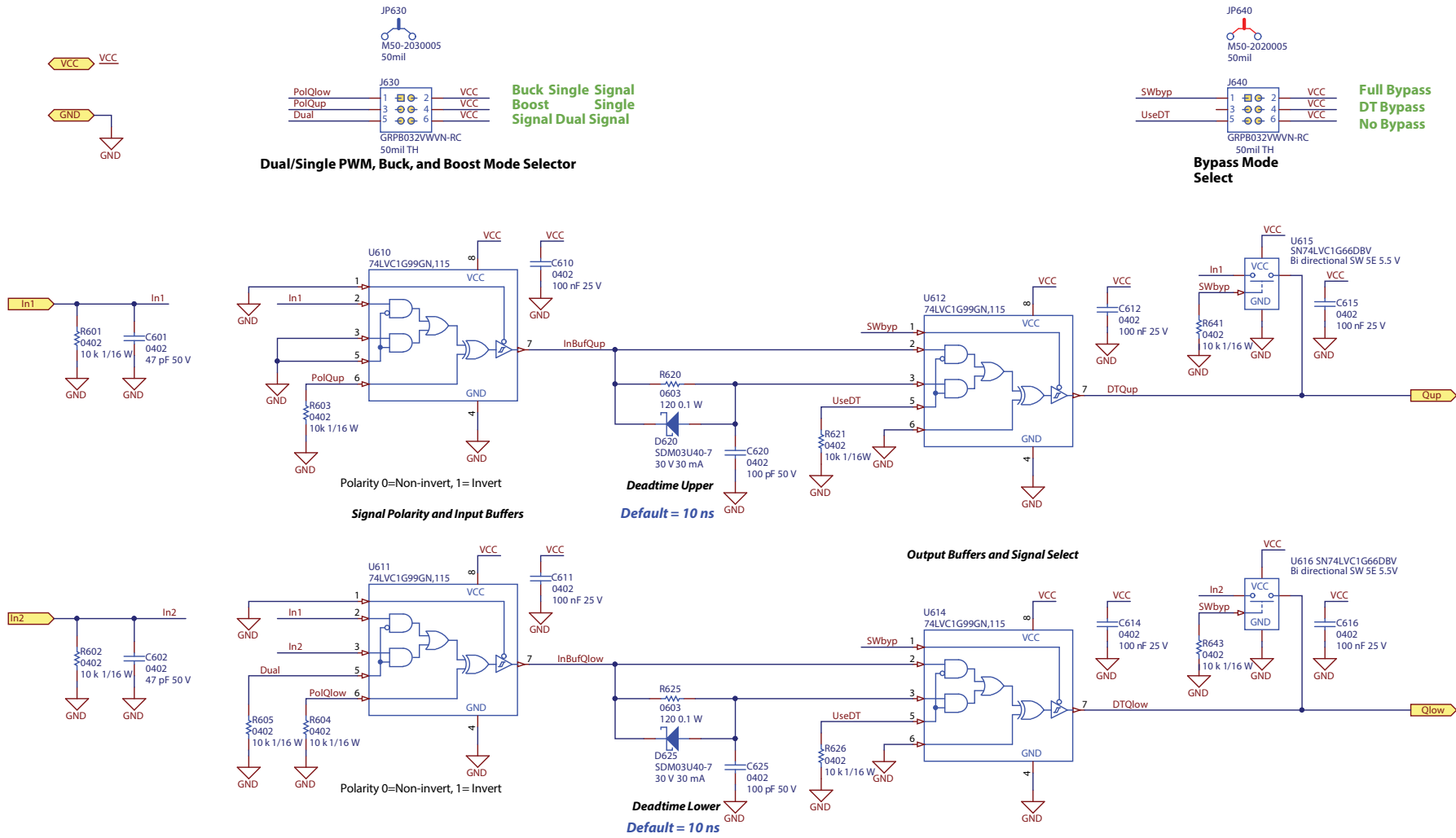


Figure 16: Dead-time and Bypass schematic

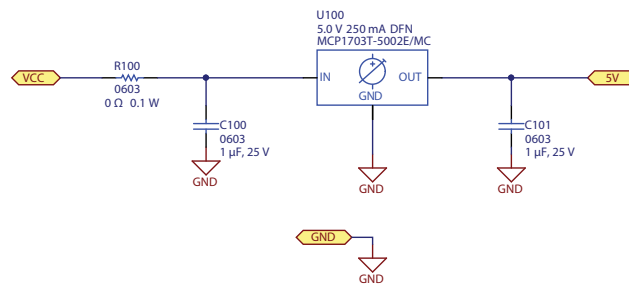


Figure 17: Logic Supply Regulator schematic