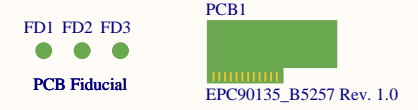


For evaluation only;  
not FCC approved for resale



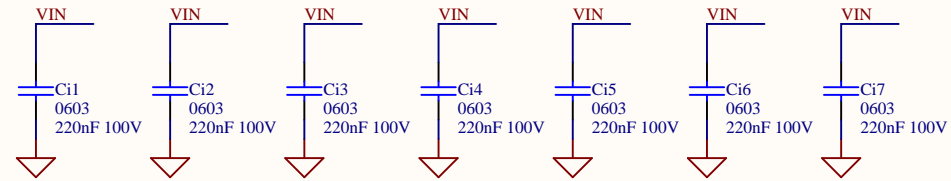
© EPC eGaN® FET  
Evaluation Board for paralleled EPC2218

Title: EPC90135_B5257 Rev. 1.0		Efficient Power Conversion 909 N. Pacific Coast Hwy, Ste. 223 El Segundo, CA 90245 United States www.epc-co.com	
Size: A	1	Revision: 1	
Date: 6/16/2022	Sheet 1 of 6		
File: EPC90135_B5257_Rev1_0.SCHDOC			

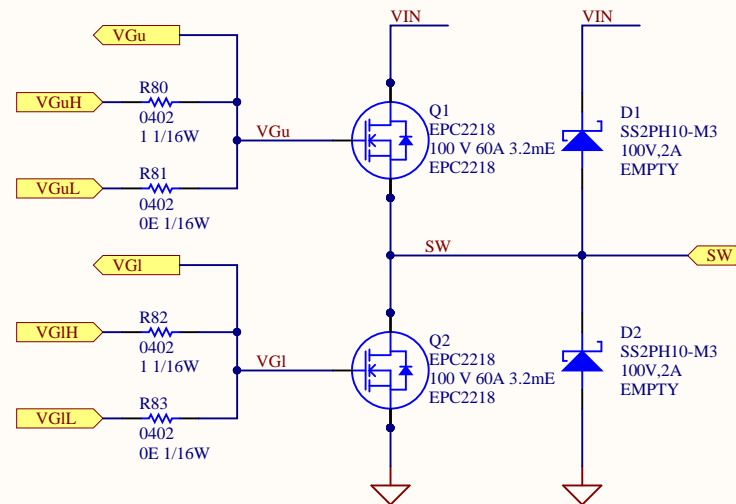


Vin VIN

**DC Input  
80 Vmax.**

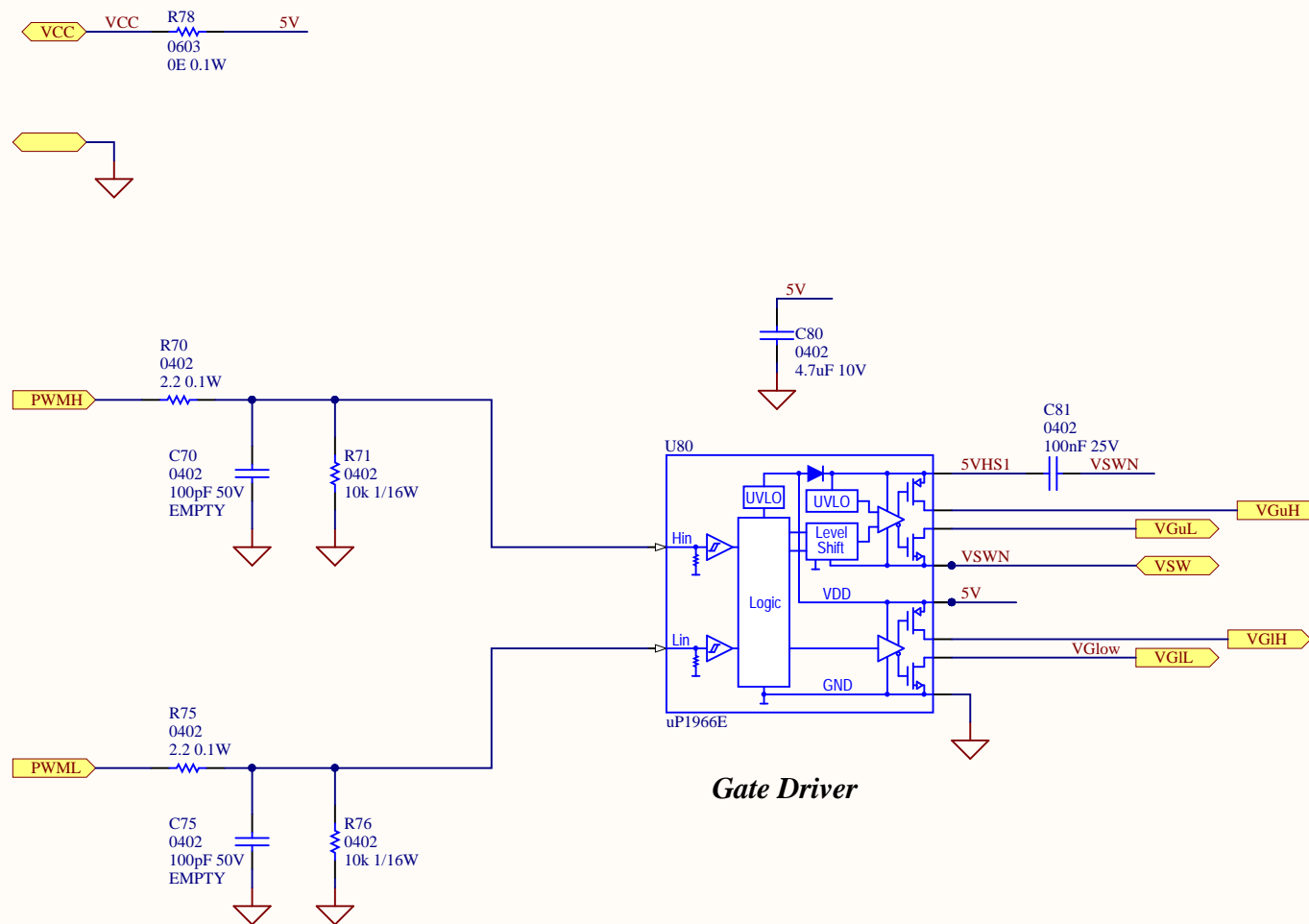


**HF loop Capacitors**




**Power Stage**

**Optional Diodes**

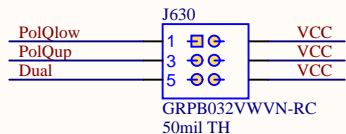
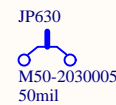
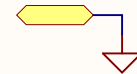


**Gate Driver**

**100 V Gate Driver Simple**

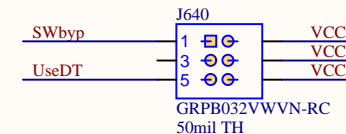
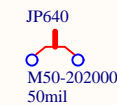
Title AP1028 Rev 2.0		Efficient Power Conversion 909 N. Pacific Coast Hwy, Ste. 23 El Segundo, CA 90245 United States <a href="http://www.epc-co.com">www.epc-co.com</a>	
Size: A	3		
Date: 6/16/2022	Sheet 3 of 6		
File: AP1028_Rev2_0_100VBGA_GateDriverSimple.SCHDOC			

VCC



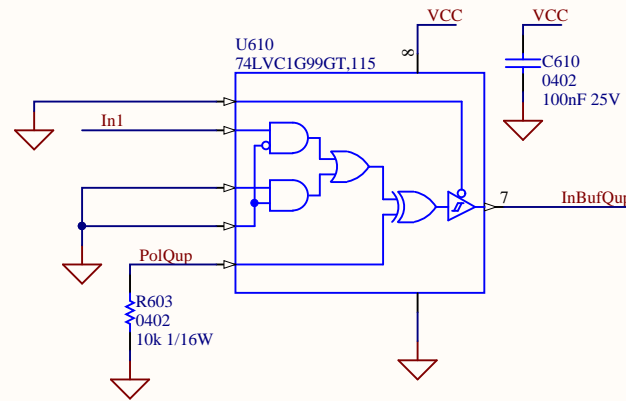
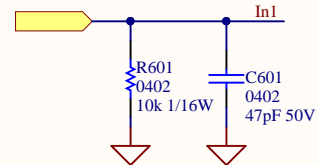
Buck Single Signal  
Boost Single Signal  
Dual Signal

Dual/Single PWM, Buck, and Boost Mode Selector



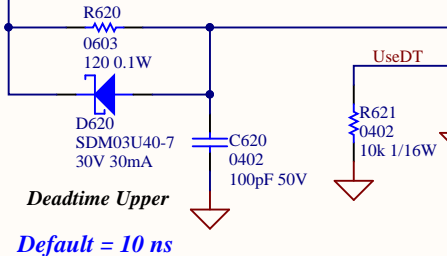
Full Bypass  
DT Bypass  
No Bypass

Bypass Mode Select

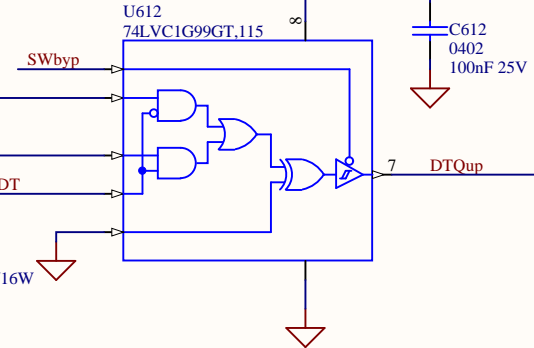


Polarity 0=Non-invert, 1= Invert

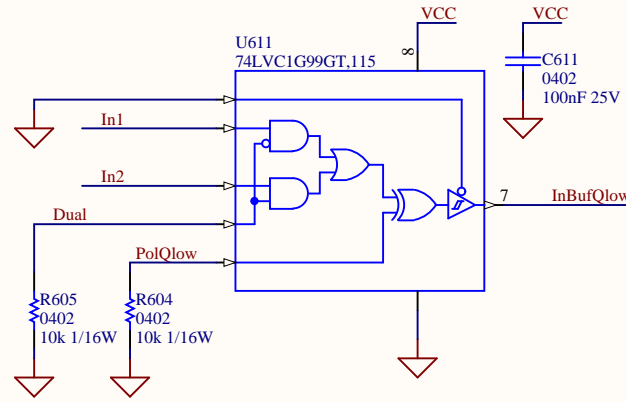
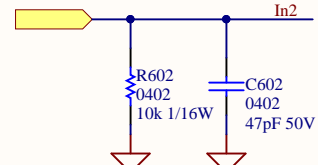
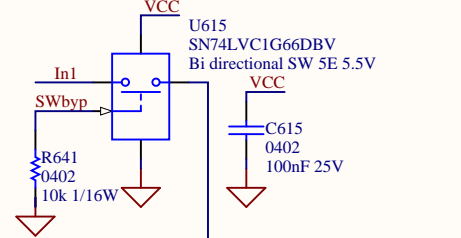
Signal Polarity and Input Buffers



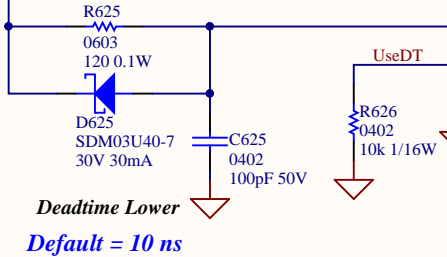
Deadtime Upper  
Default = 10 ns



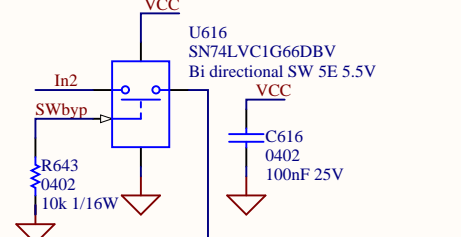
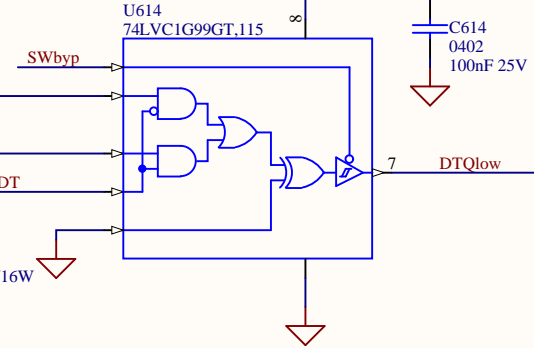
Output Buffers and Signal Select



Polarity 0=Non-invert, 1= Invert



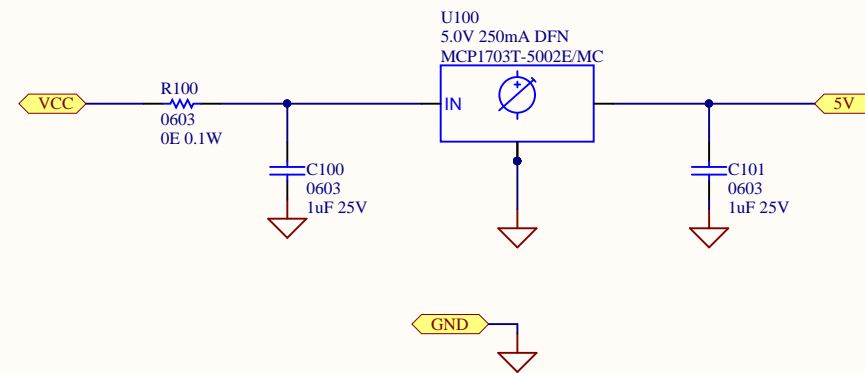
Deadtime Lower  
Default = 10 ns



General Dead-time with Polarity Changer and Bypass

Title AP1010 Rev. 3.0		Efficient Power Conversion 909 N. Pacific Coast Hwy, Ste. 200 El Segundo, CA 90245 United States www.epc-co.com	
Size: A	4	Revision: 1	
Date: 6/16/2022	Sheet 4 of 6		
File: AP1010_Rev3_02_GeneralDeadtime.SCHDOC			

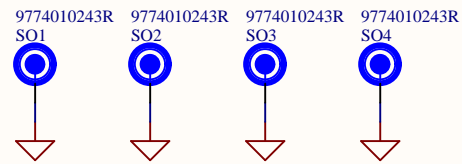
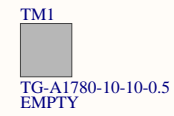
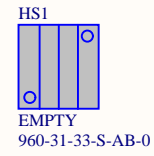




12 V to 5 V LDO power supply


Title AP1006 Rev. 2.0		Efficient Power Conversion 909 N. Pacific Coast Hwy, Ste. 23 El Segundo, CA 90245 United States <a href="http://www.epc-co.com">www.epc-co.com</a>	
Size: A	5	Revision: 1	
Date: 6/16/2022	Sheet 5 of 6		
File: AP1006_Rev2_01_12Vto5VinPSU.SCHDOC			





**Heatsink Kit**

**Basic 4 screw heatsink kit**

Title <b>AP1053 Rev. 1.1</b>		Efficient Power Conversion 909 N. Pacific Coast Hwy, Ste. 23 El Segundo, CA 90245 United States <a href="http://www.epc-co.com">www.epc-co.com</a>	
Size: A	6		
Date: 6/16/2022	Sheet 6 of 6		
File: AP1053_Rev1_1_Basic4-screwPopInHSkit.SCHDOC			