

Figure 13: EPC90138 main schematic

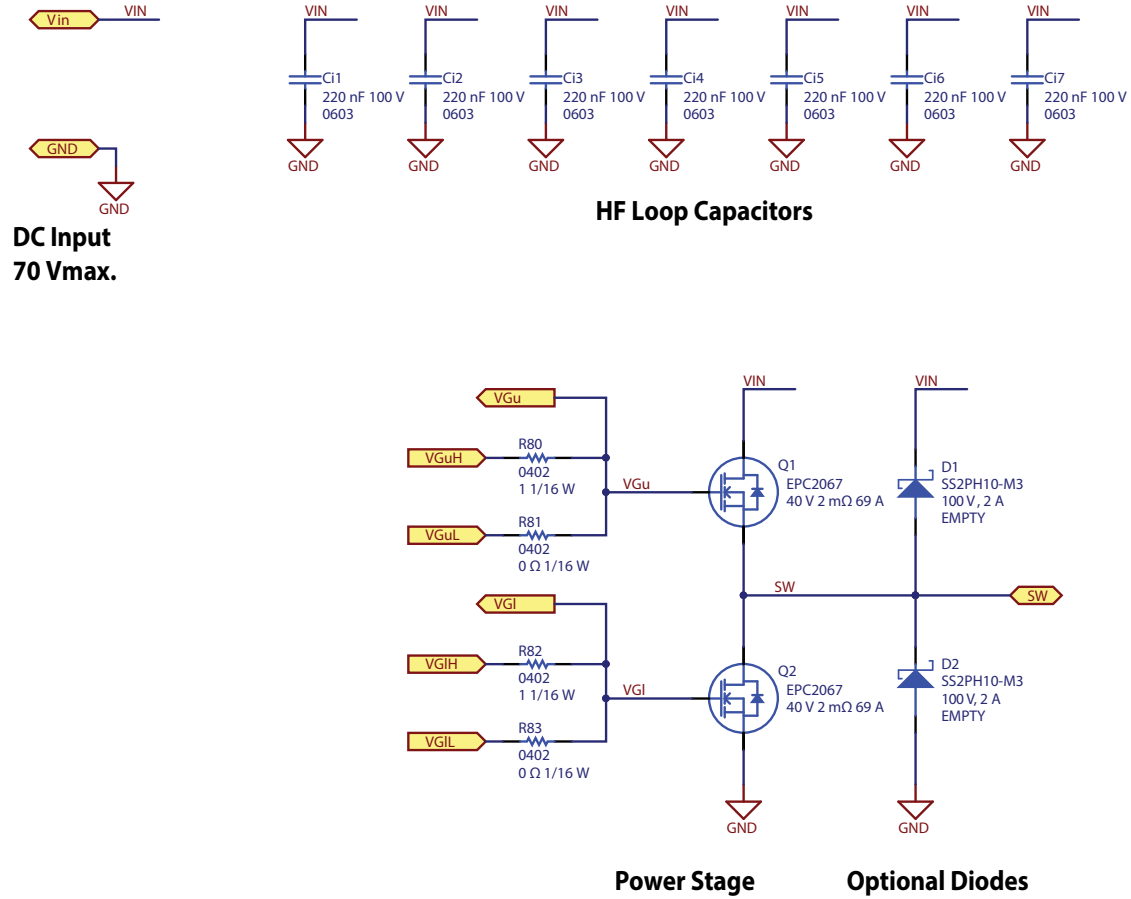


Figure 14: Power Stage schematic using the EPC2067

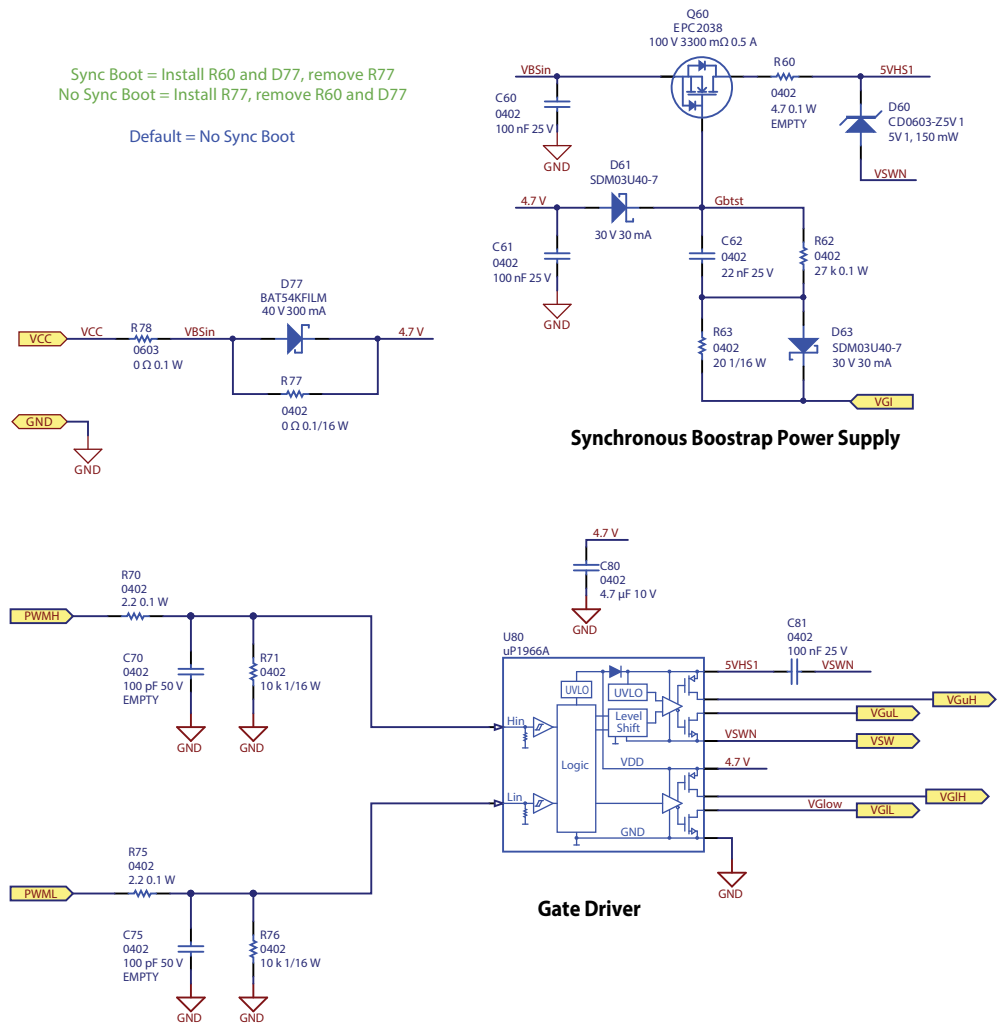


Figure 15: Gate Driver schematic

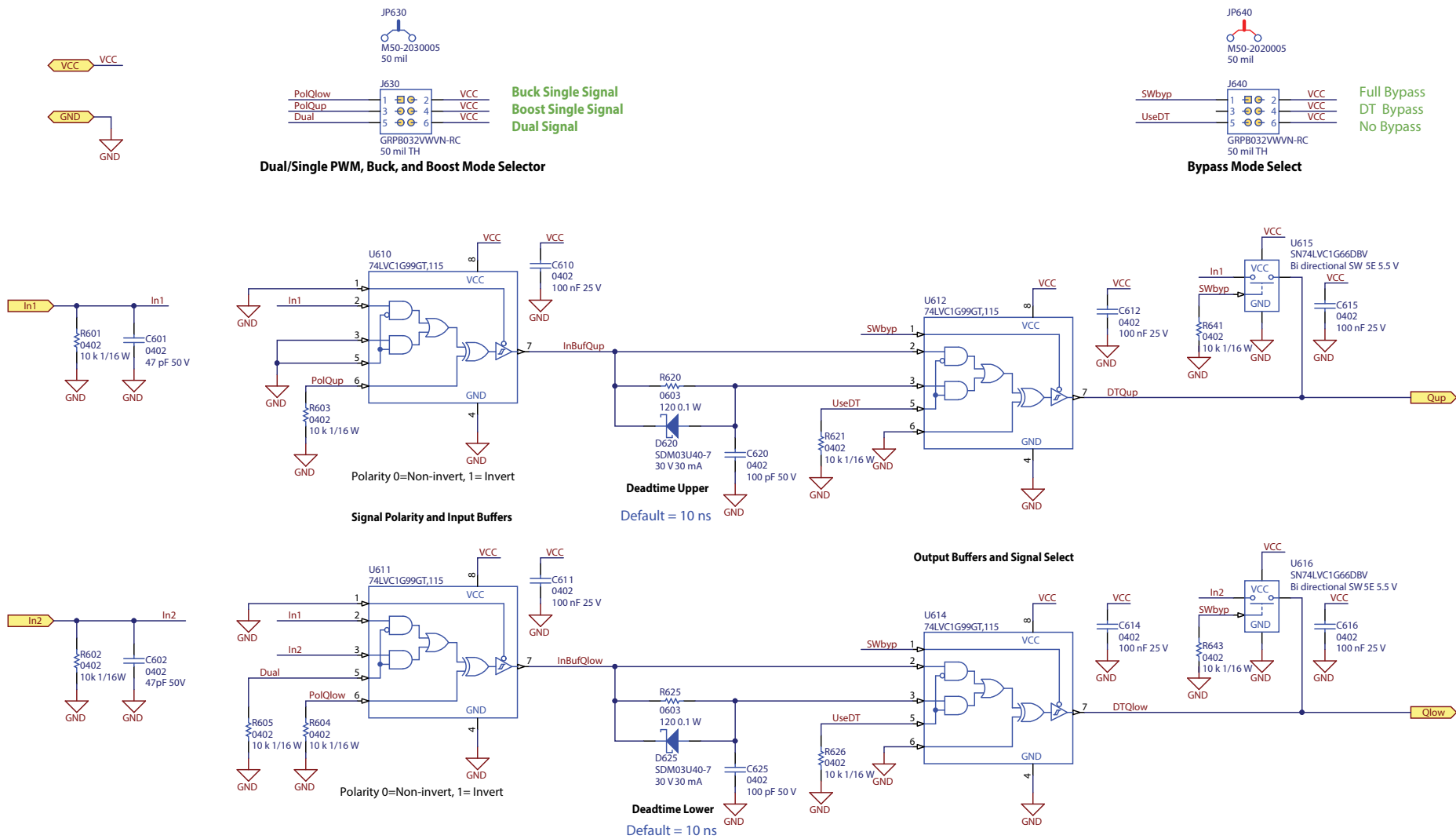


Figure 16: Dead-time and Bypass schematic

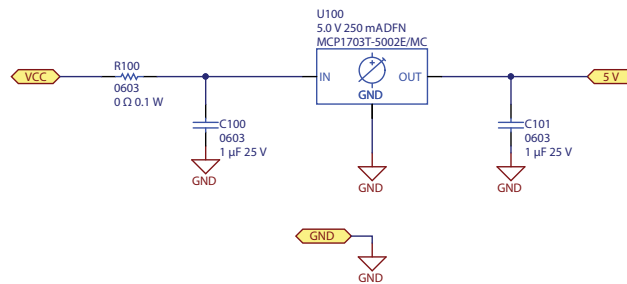


Figure 17: Logic Supply Regulator schematic