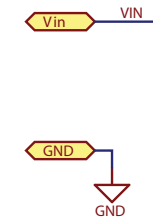
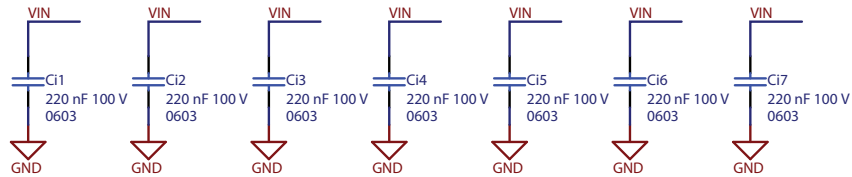


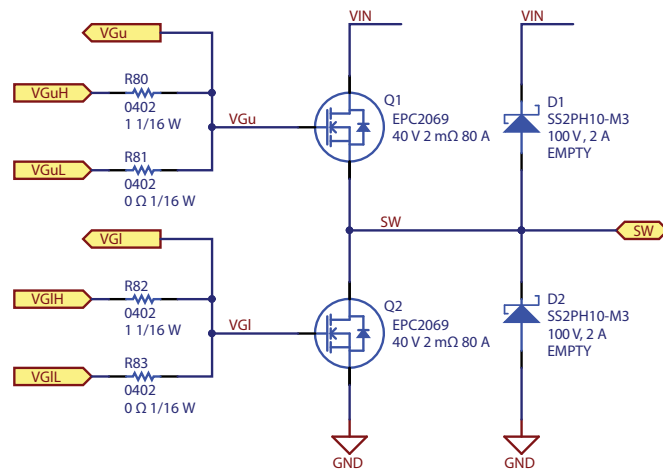
Figure 13: EPC90139 main schematic



**DC Input
70 Vmax.**



HF Loop Capacitors



Power Stage

Optional Diodes

Figure 14: Power Stage schematic using the EPC2069

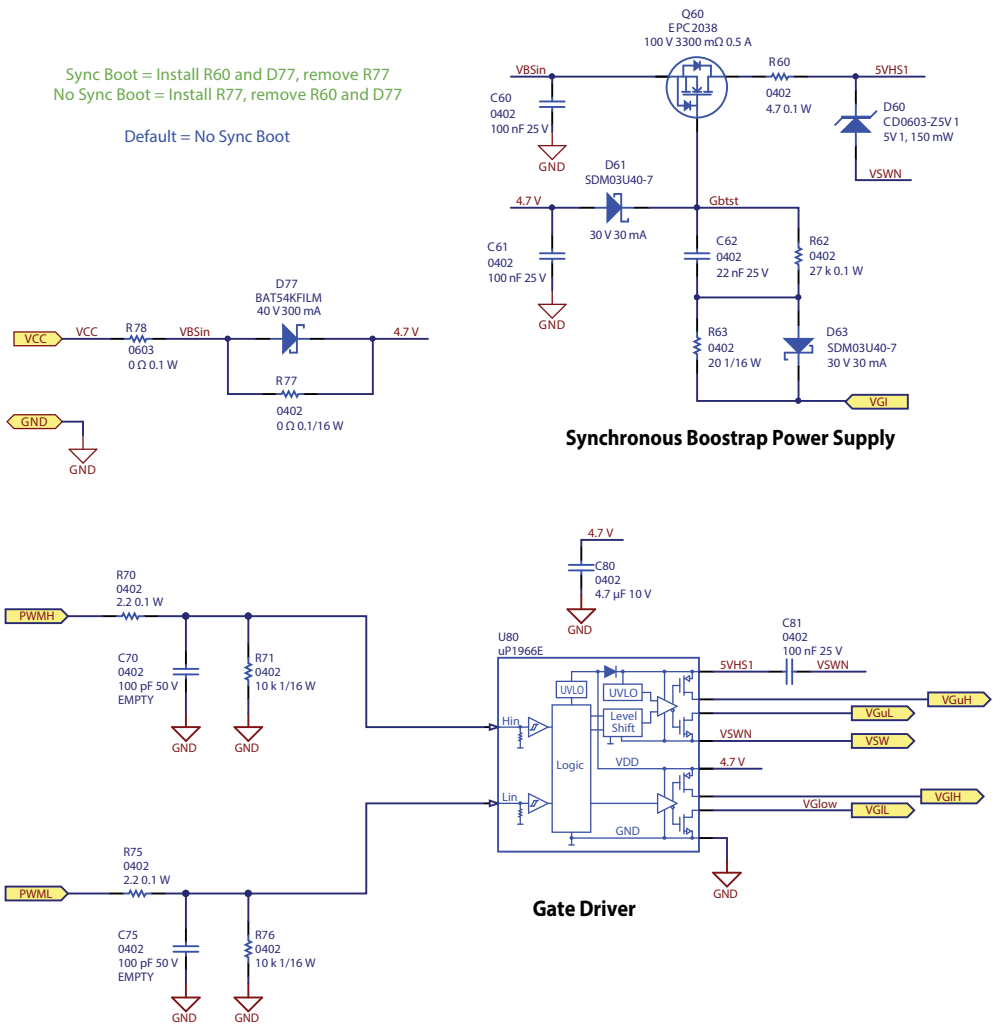


Figure 15: Gate Driver schematic

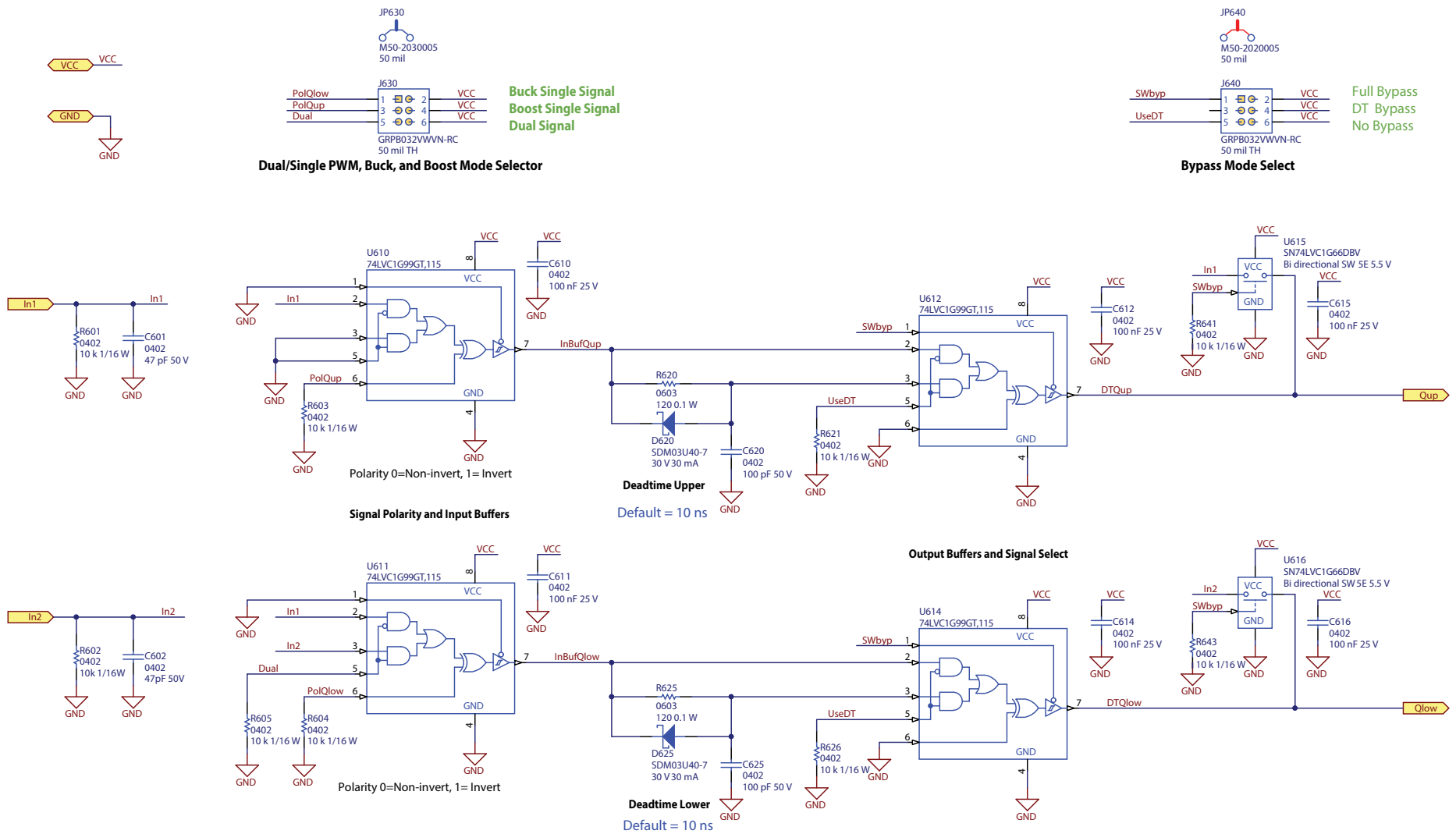


Figure 16: Dead-time and Bypass schematic

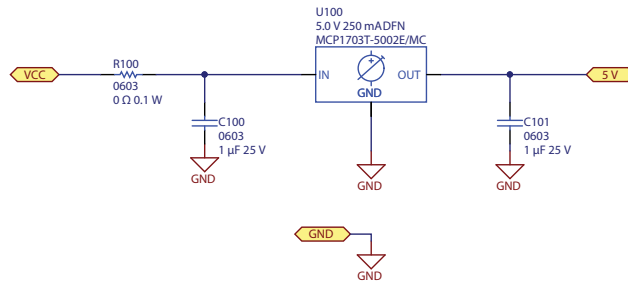


Figure 17: Logic Supply Regulator schematic