

Figure 20: EPC90142 schematic

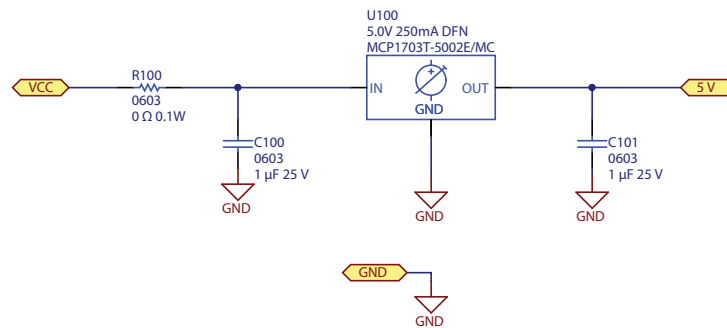


Figure 21: 5 V Regulator

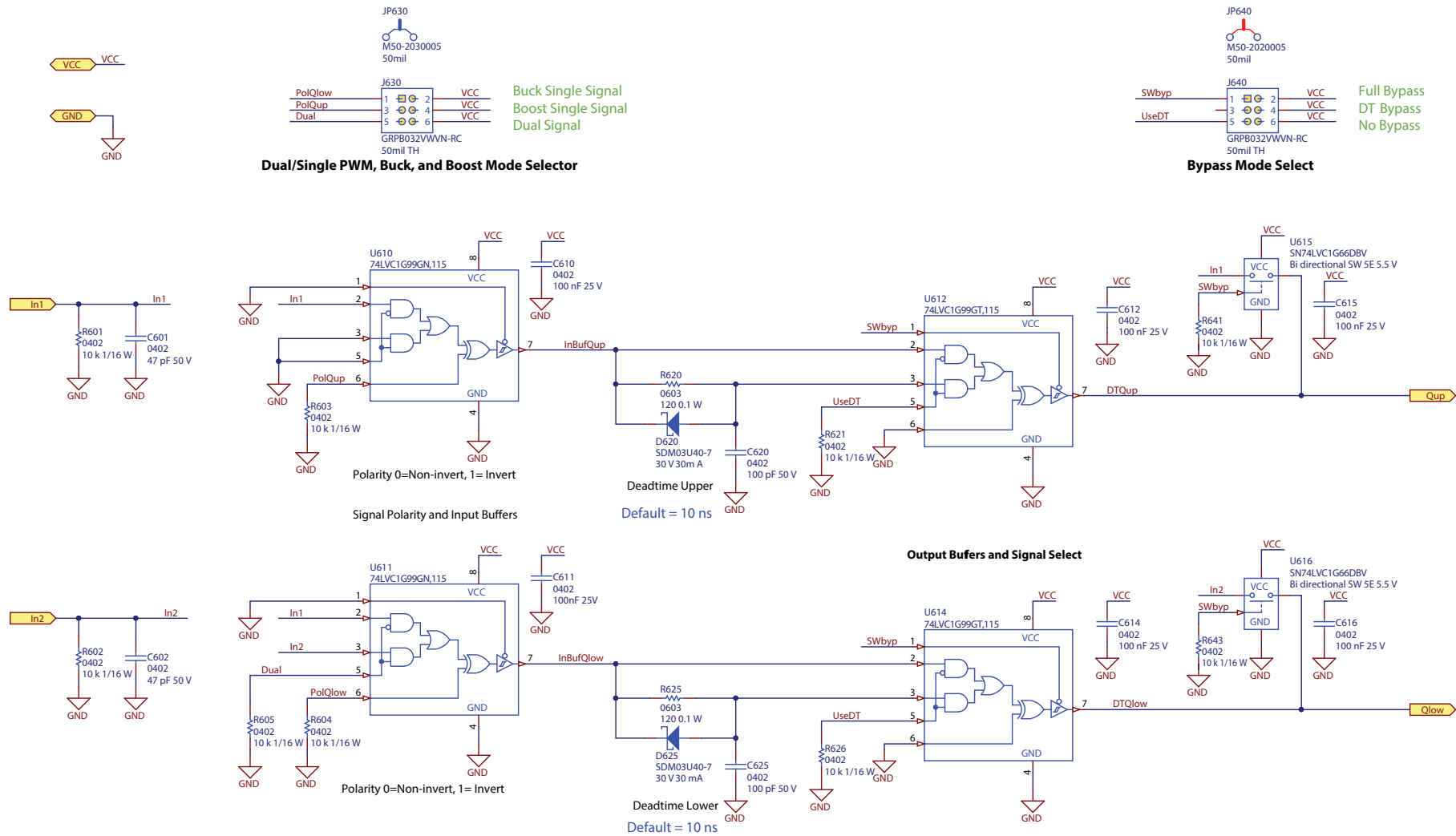


Figure 22: Dead-time and bypass circuit

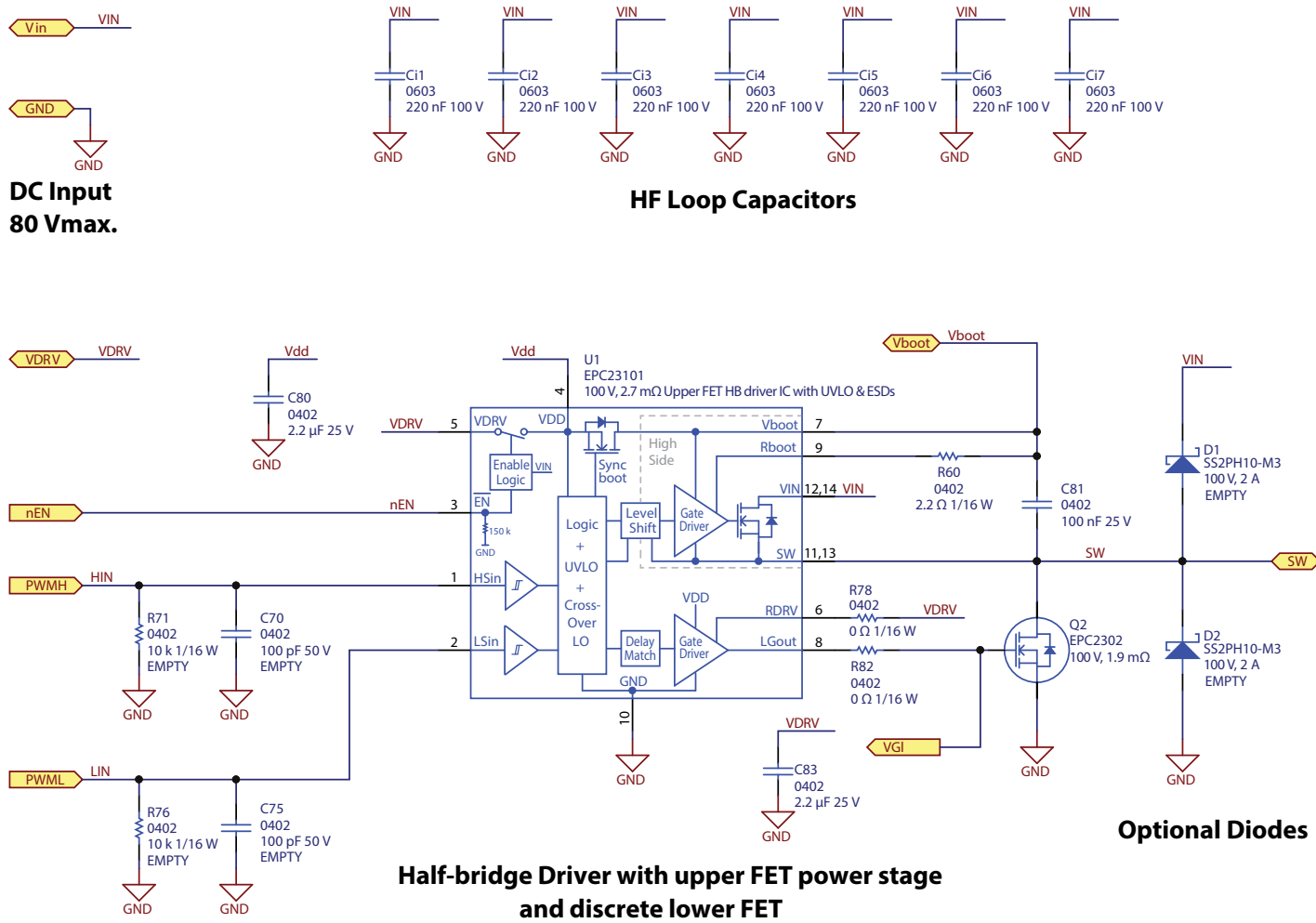


Figure 23: EPC23101 power stage circuit