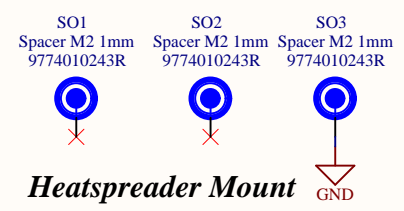
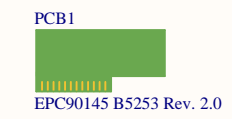


For evaluation only;
not FCC approved for resale



© EPC eGaN® FET
Evaluation Board for EPC2306

Title EPC90145 B5253 Rev. 2.0		Efficient Power Conversion 909 N. Pacific Coast Hwy, Ste. 23 El Segundo, CA 90245 United States www.epc-co.com	
Size: A	Revision: 1		
Date: 9/1/2022	Sheet 1 of 1		
File: EPC90145_B5253_Rev2_0.SCHDOC			

A

A

B

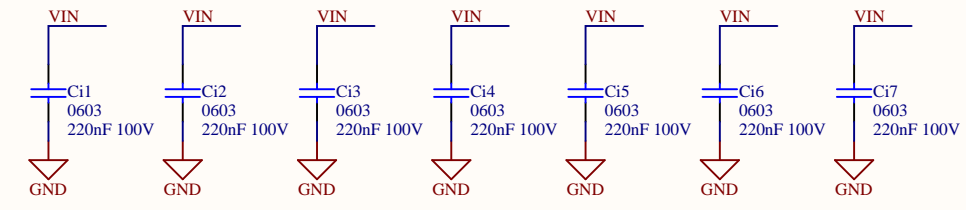
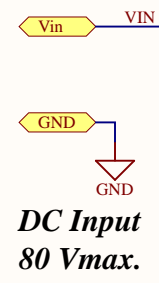
B

C

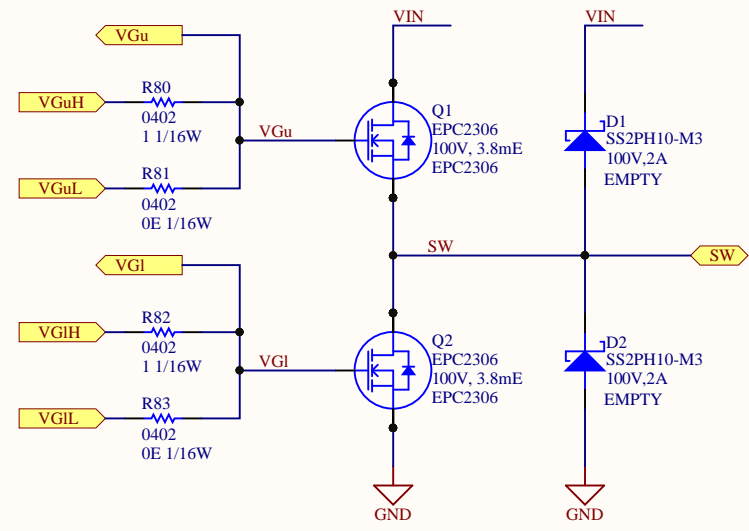
C

D

D

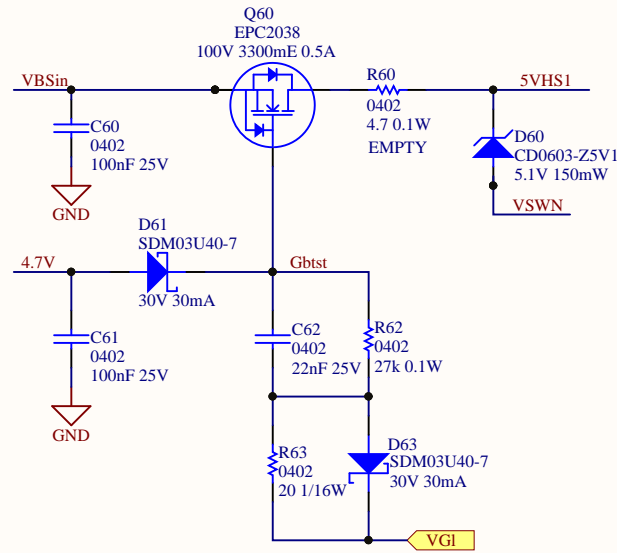
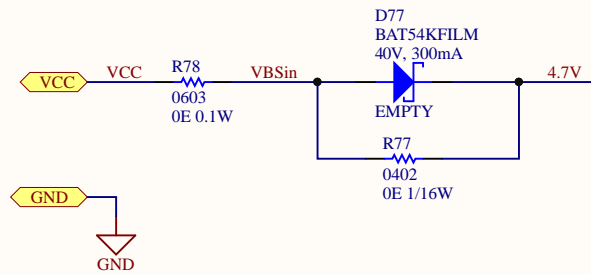


HF loop Capacitors

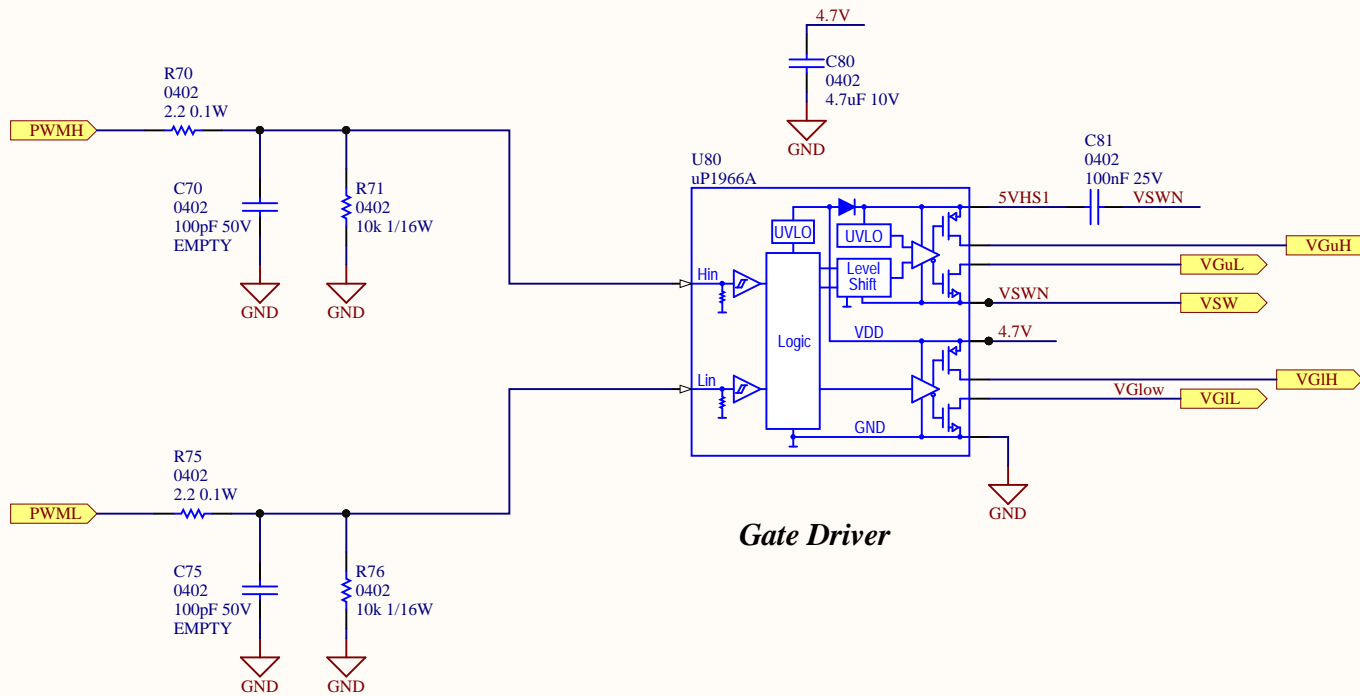


Power Stage Optional Diodes

Sync Boot = Install R60 and D77, remove R77
 No Sync Boot = Install R77, remove R60 and D77
 Default = No Sync Boot




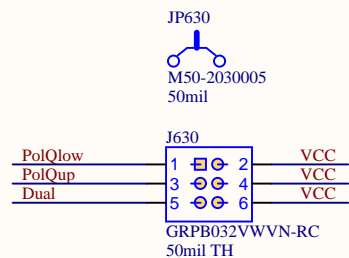
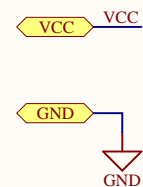
Synchronous Bootstrap Power Supply



Gate Driver

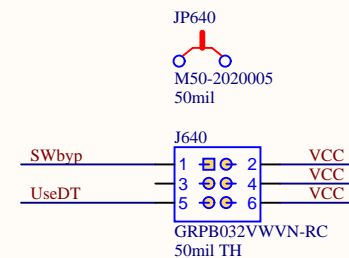
100 V Gate Driver with Bootstrap

Title AP1017 Rev. 2.0		Efficient Power Conversion 909 N. Pacific Coast Hwy, Ste. 23 El Segundo, CA 90245 United States www.epc-co.com	
Size: A	Revision: 1		
Date: 9/1/2022	Sheet 1 of 1		
File: AP1017_Rev2_01_100VBGA_GateDriverWboot.SCHDOC			



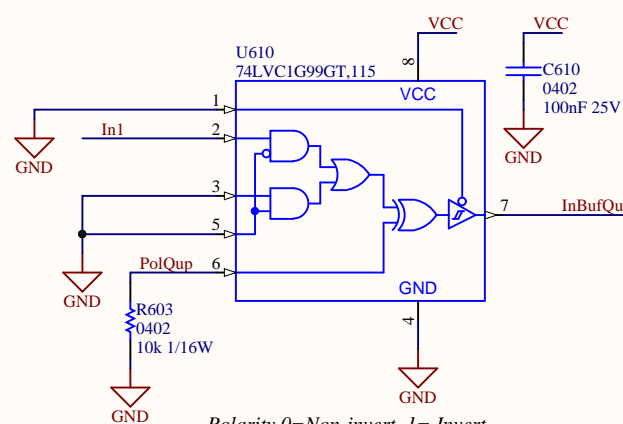
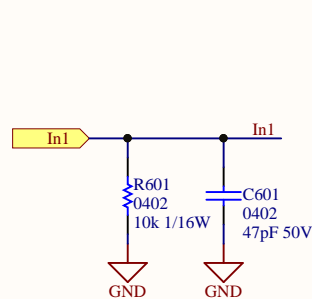
**Buck Single Signal
Boost Single Signal
Dual Signal**

Dual/Single PWM, Buck, and Boost Mode Selector



**Full Bypass
DT Bypass
No Bypass**

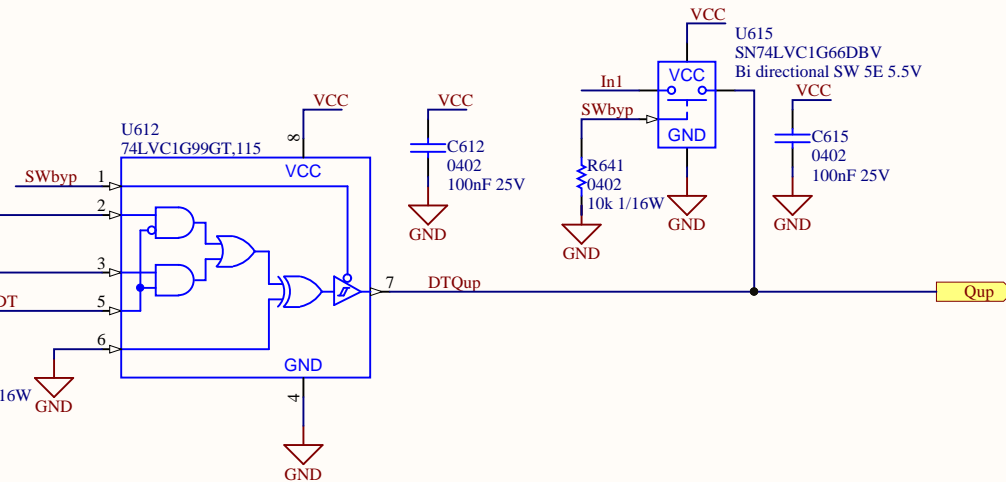
Bypass Mode Select



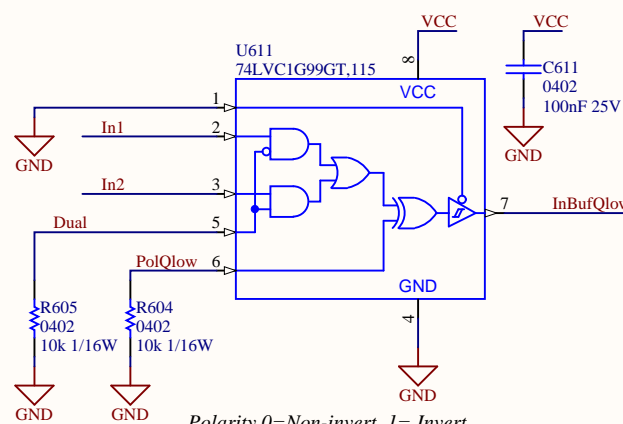
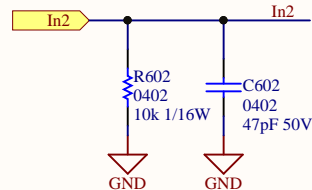
Polarity 0=Non-invert, 1= Invert

Signal Polarity and Input Buffers

**Deadtime Upper
Default = 10 ns**

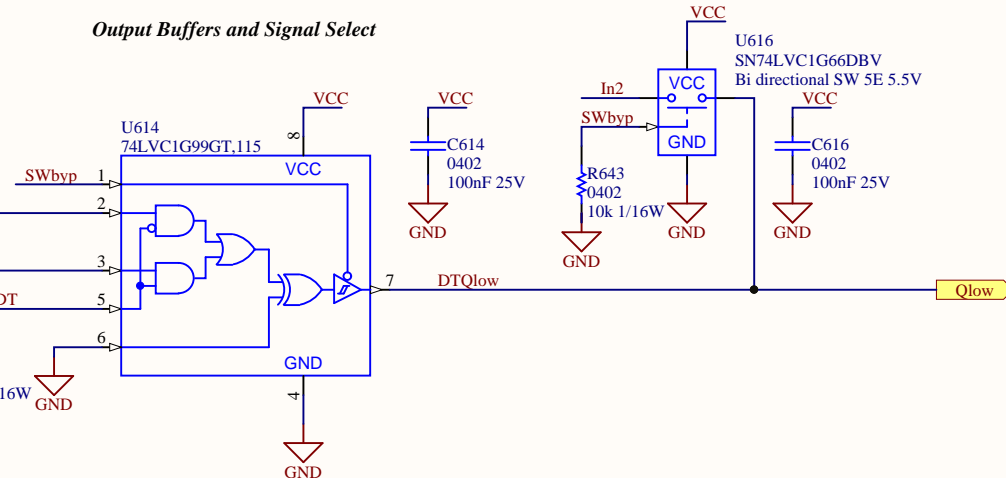


Output Buffers and Signal Select



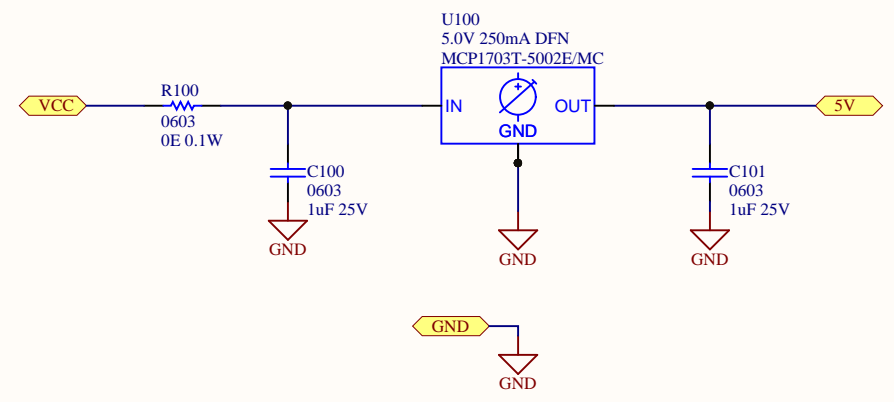
Polarity 0=Non-invert, 1= Invert

**Deadtime Lower
Default = 10 ns**



General Dead-time with Polarity Changer and Bypass

Title AP1010 Rev. 3.0		Efficient Power Conversion 909 N. Pacific Coast Hwy, Ste. 23 El Segundo, CA 90245 United States www.epc-co.com	
Size: A	Revision: 1		
Date: 9/1/2022	Sheet 1 of 1		
File: AP1010_Rev3_02_GeneralDeadtime.SCHDOC			



12 V to 5 V LDO power supply

Title AP1006 Rev. 2.0		Efficient Power Conversion 909 N. Pacific Coast Hwy, Ste. 23 El Segundo, CA 90245 United States www.epc-co.com	
Size: A	*	Revision: 1	
Date: 9/1/2022	Sheet 1 of 1		
File: AP1006_Rev2_01_12Vto5VinPSU.SCHDOC			

