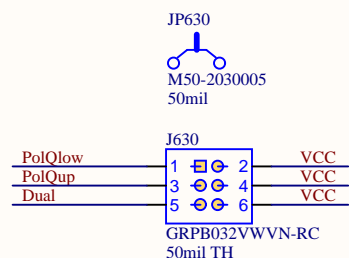
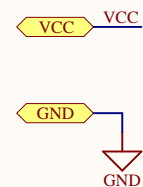


12 V to 5 V LDO power supply

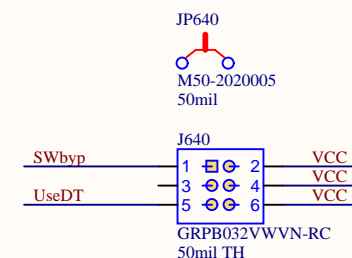
Title AP1006 Rev. 2.0		Efficient Power Conversion 909 N. Pacific Coast Hwy, Ste. 23 El Segundo, CA 90245 United States www.epc-co.com	
Size: A	*	Revision: 1	
Date: 8/6/2021		Sheet 1 of 1	
File: AP1006_Rev2_01_12Vto5VlinPSU.SCHDOC			





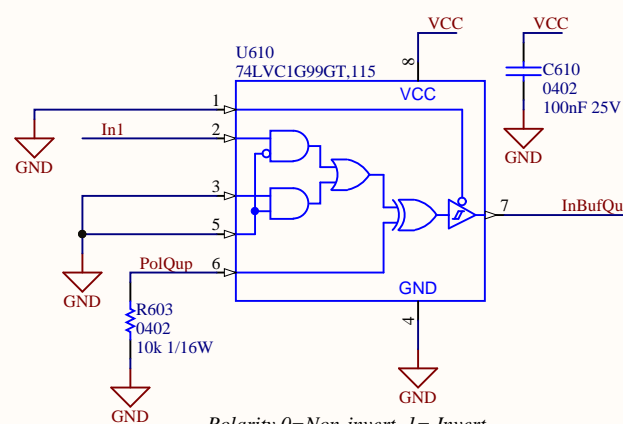
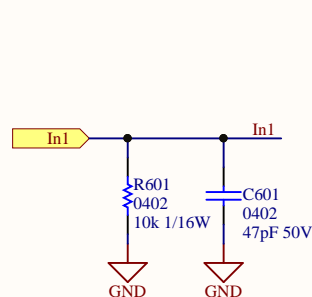
**Buck Single Signal
Boost Single Signal
Dual Signal**

Dual/Single PWM, Buck, and Boost Mode Selector



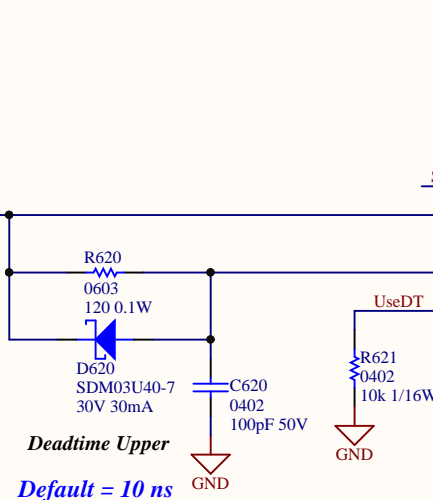
**Full Bypass
DT Bypass
No Bypass**

Bypass Mode Select

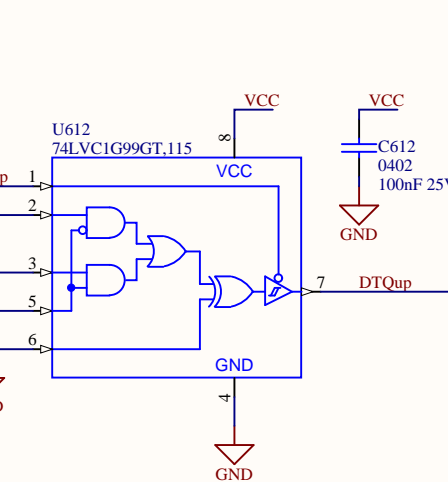


Polarity 0=Non-invert, 1= Invert

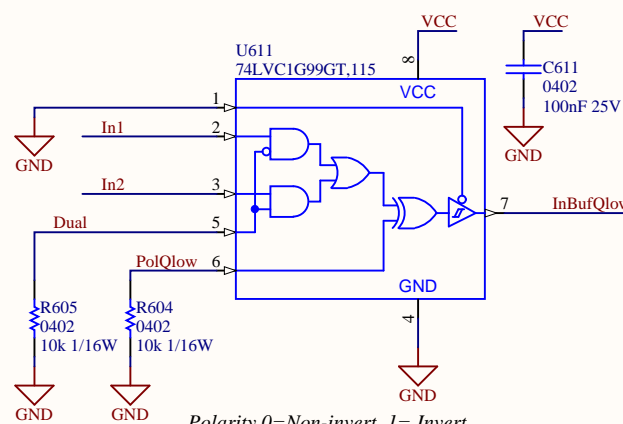
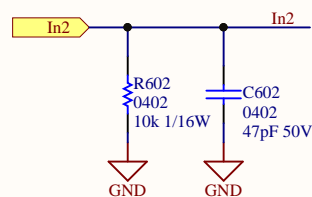
Signal Polarity and Input Buffers



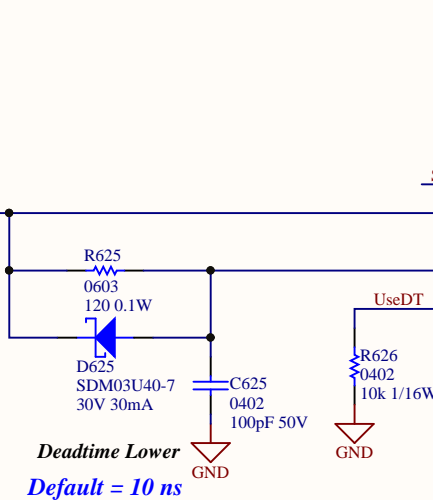
**Deadtime Upper
Default = 10 ns**



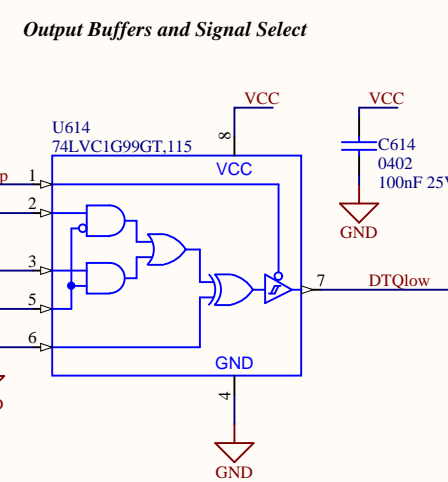
Output Buffers and Signal Select



Polarity 0=Non-invert, 1= Invert

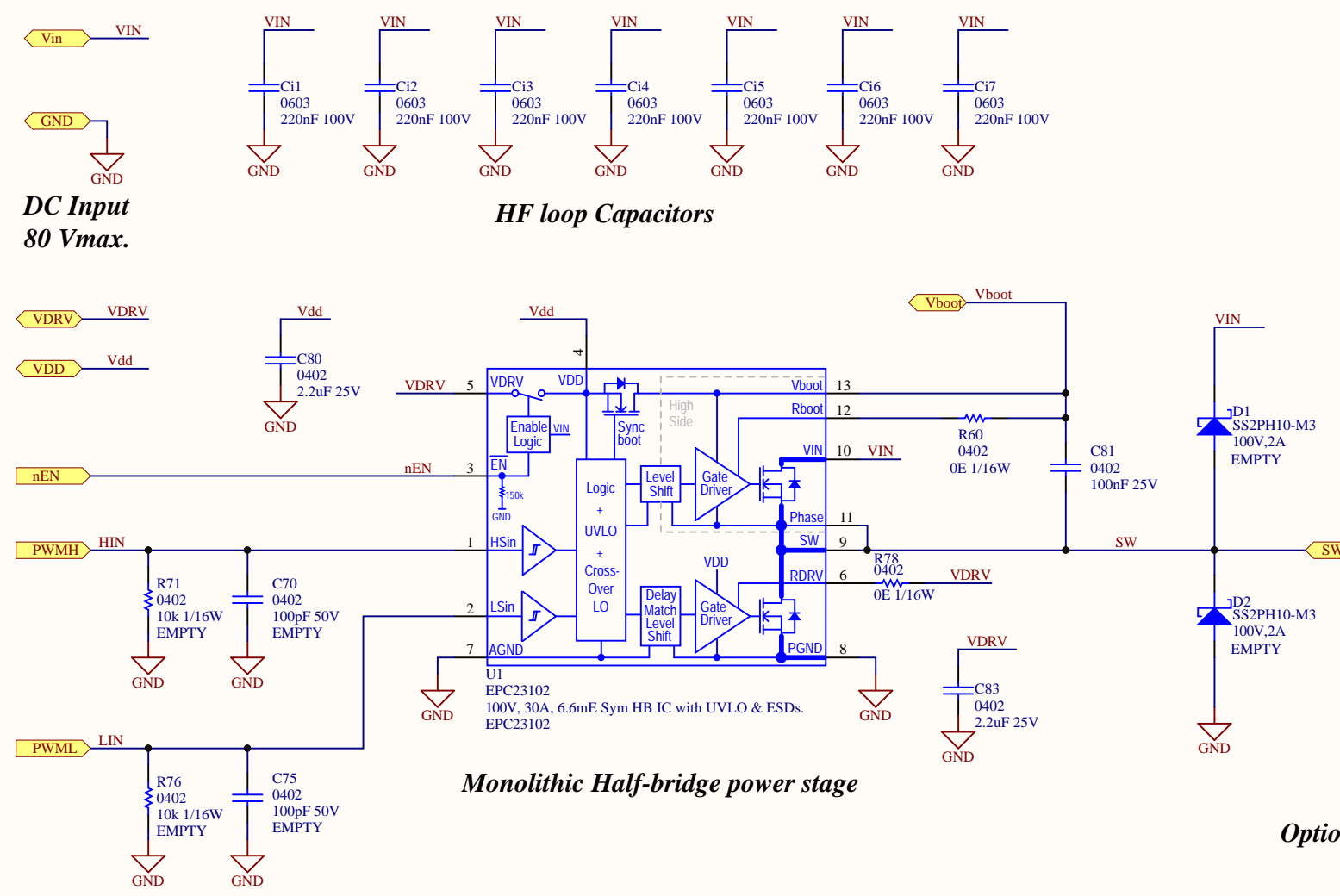


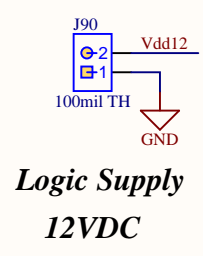
**Deadtime Lower
Default = 10 ns**



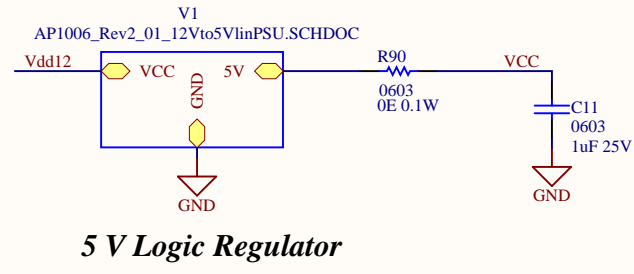
General Dead-time with Polarity Changer and Bypass

Title AP1010 Rev. 3.0		Efficient Power Conversion 909 N. Pacific Coast Hwy, Ste. 23 El Segundo, CA 90245 United States www.epc-co.com	
Size: A	Revision: 1		
Date: 9/7/2021	Sheet 1 of 1		
File: AP1010_Rev3_02_GeneralDeadtime.SCHDOC			

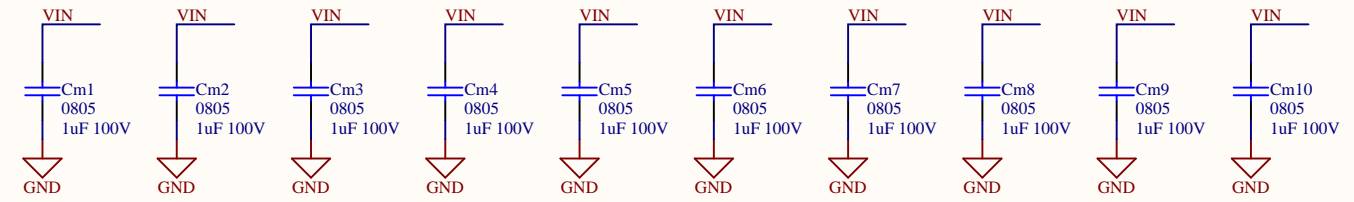




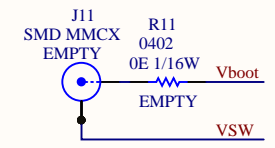
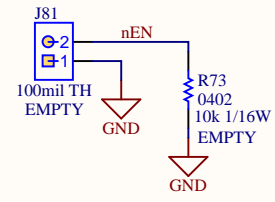
Logic Supply
12VDC



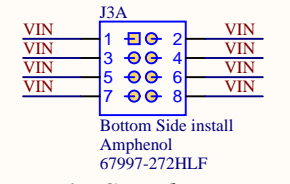
5 V Logic Regulator



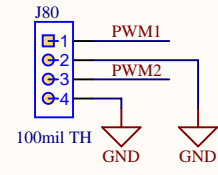
Intermediate Capacitors



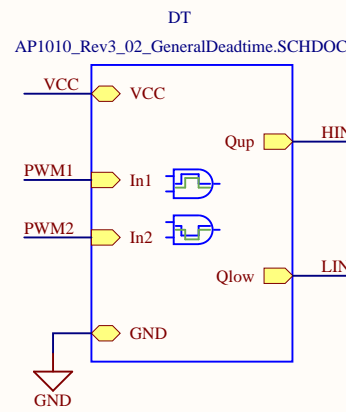
Bootstrap Voltage



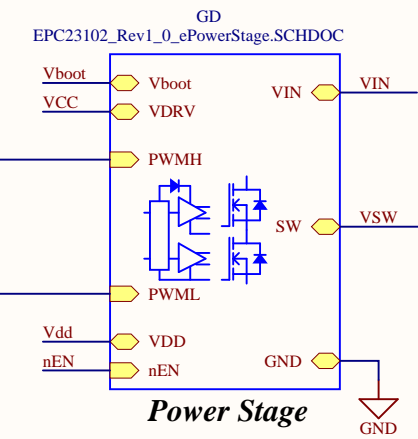
Main Supply Input



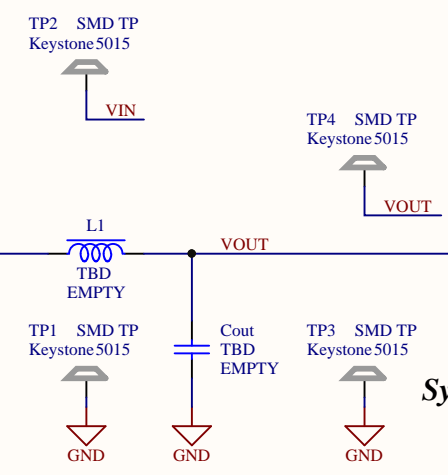
Signal Inputs



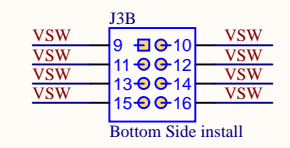
dead-time and buffers



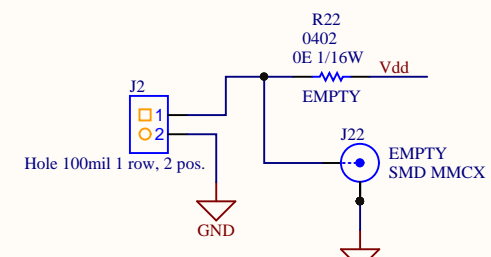
Power Stage



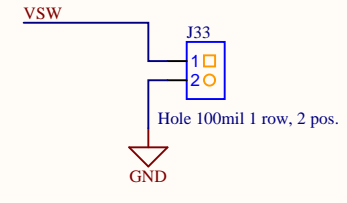
Sync Buck Output



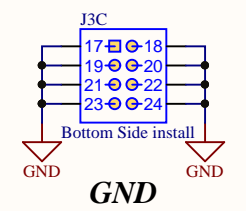
SW Output



Vdd



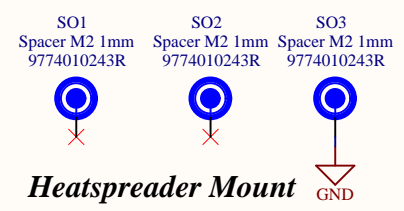
Switch-node



GND



For evaluation only;
not FCC approved for resale



Heatspreader Mount

© EPC eGaN® IC
Evaluation Board for EPC23102

Title: EPC90147 B5343 Rev. 1.0		Efficient Power Conversion 909 N. Pacific Coast Hwy, Ste. 223 El Segundo, CA 90245 United States www.epc-co.com	
Size: A	Revision: 1		
Date: 3/11/2022	Sheet 1 of 1		
File: EPC90147_B5343_Rev1_0.SCHDOC			