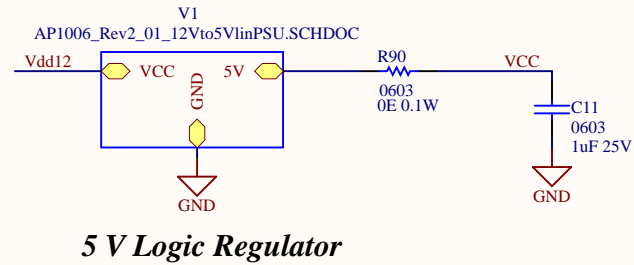
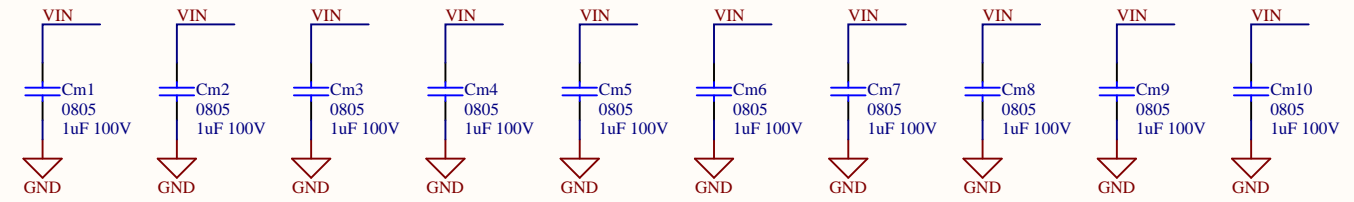


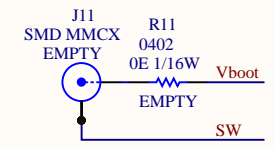
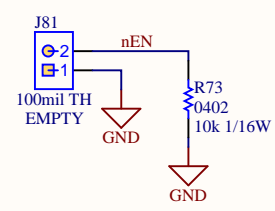
**Logic Supply**  
12VDC



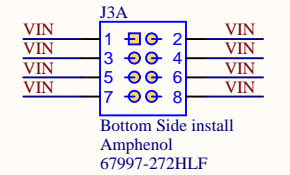
**5 V Logic Regulator**



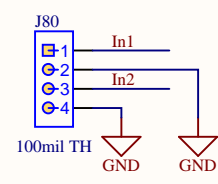
**Intermediate Capacitors**



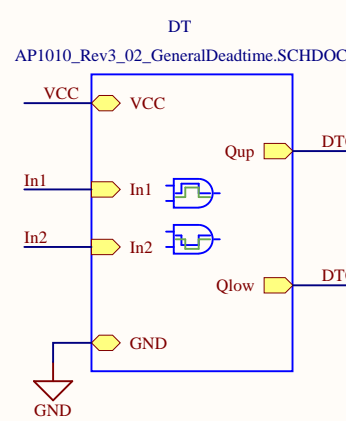
**Bootstrap Voltage**



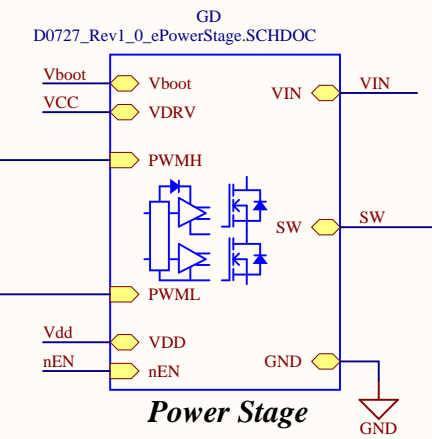
**Main Supply Input**



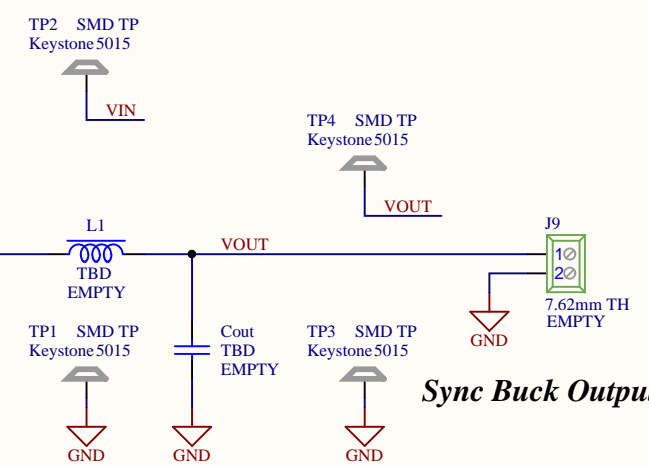
**Signal Inputs**



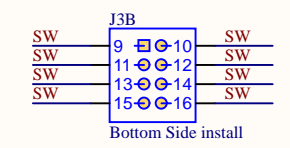
**dead-time and buffers**



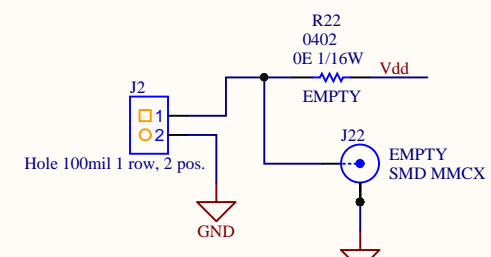
**Power Stage**



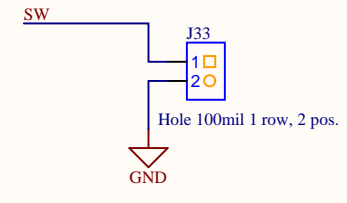
**Sync Buck Output**



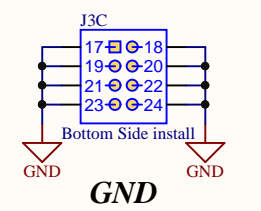
**SW Output**



**Vdd**



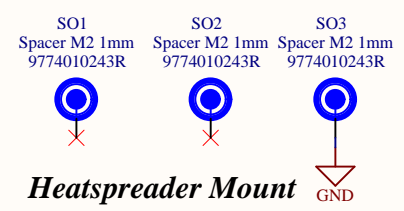
**Switch-node**



**GND**



For evaluation only;  
not FCC approved for resale



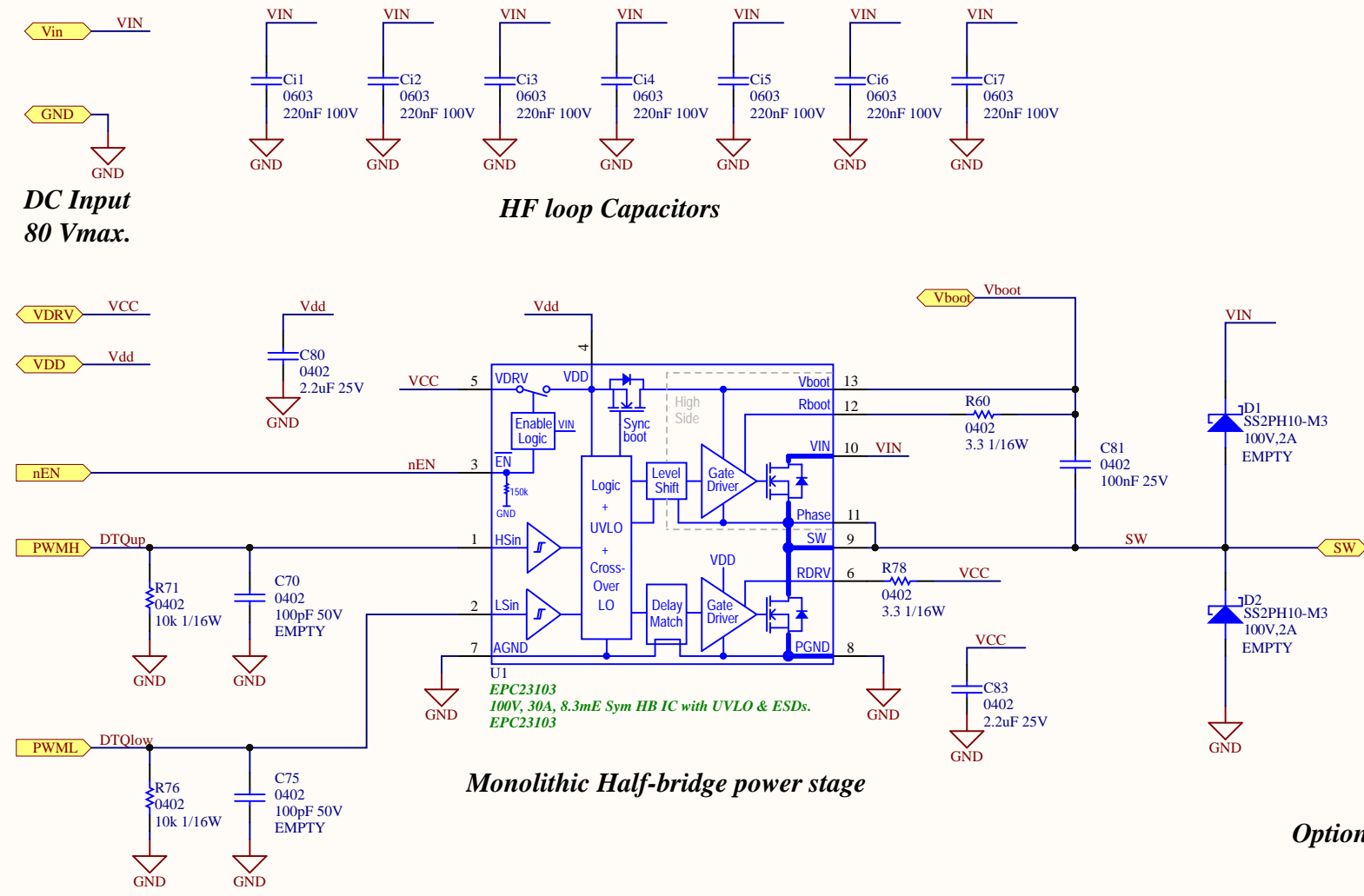
**Heatspreader Mount**

© EPC eGaN® IC

**Evaluation Board Main Schematic**

Title: EPC90151_B5343_Rev2_0		Efficient Power Conversion 909 N. Pacific Coast Hwy, Ste. 23 El Segundo, CA 90245 United States www.epc-co.com	
Size: A	1	Revision: 1	
Date: 12/23/2022	Sheet 1 of 4		
File: D0727_B5343_Rev2_0.SCHDOC			





EPC23103

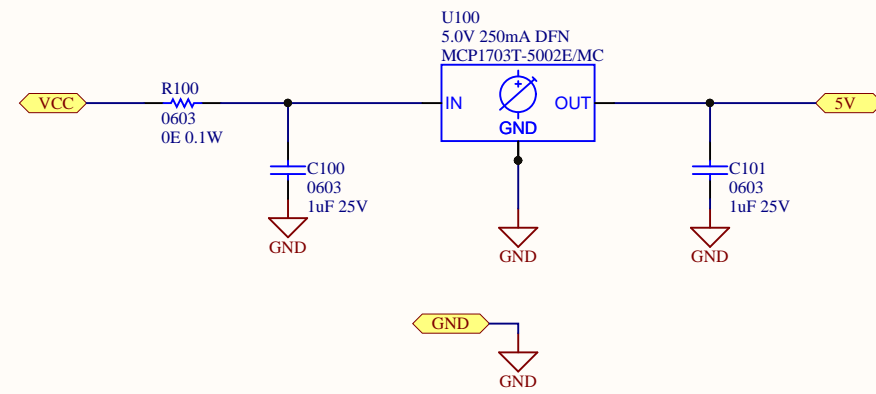
Title D0727 ePower Stage Rev. 1.0

Size: A	2
Date: 12/23/2022	Sheet 2 of 4
File: D0727_Rev1_0_ePowerStage.SCHDOC	

Revision: 1
-------------

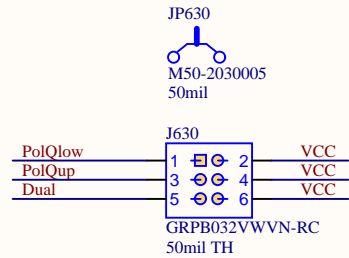
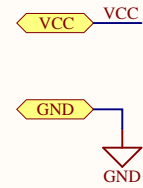
Efficient Power Conversion  
909 N. Pacific Coast Hwy, Ste. 23  
El Segundo, CA 90245  
United States  
[www.epc-co.com](http://www.epc-co.com)





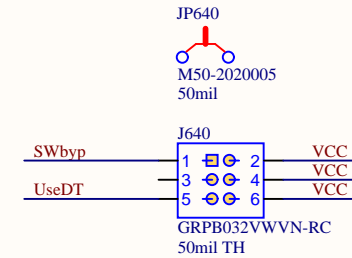
12 V to 5 V LDO power supply

Title AP1006 Rev. 2.0		Efficient Power Conversion 909 N. Pacific Coast Hwy, Ste. 23 El Segundo, CA 90245 United States <a href="http://www.epc-co.com">www.epc-co.com</a>		
Size: A	3	Revision: 1		
Date: 9/20/2022		Sheet 3 of 4		
File: AP1006_Rev2_01_12Vto5VinPSU.SCHDOC				



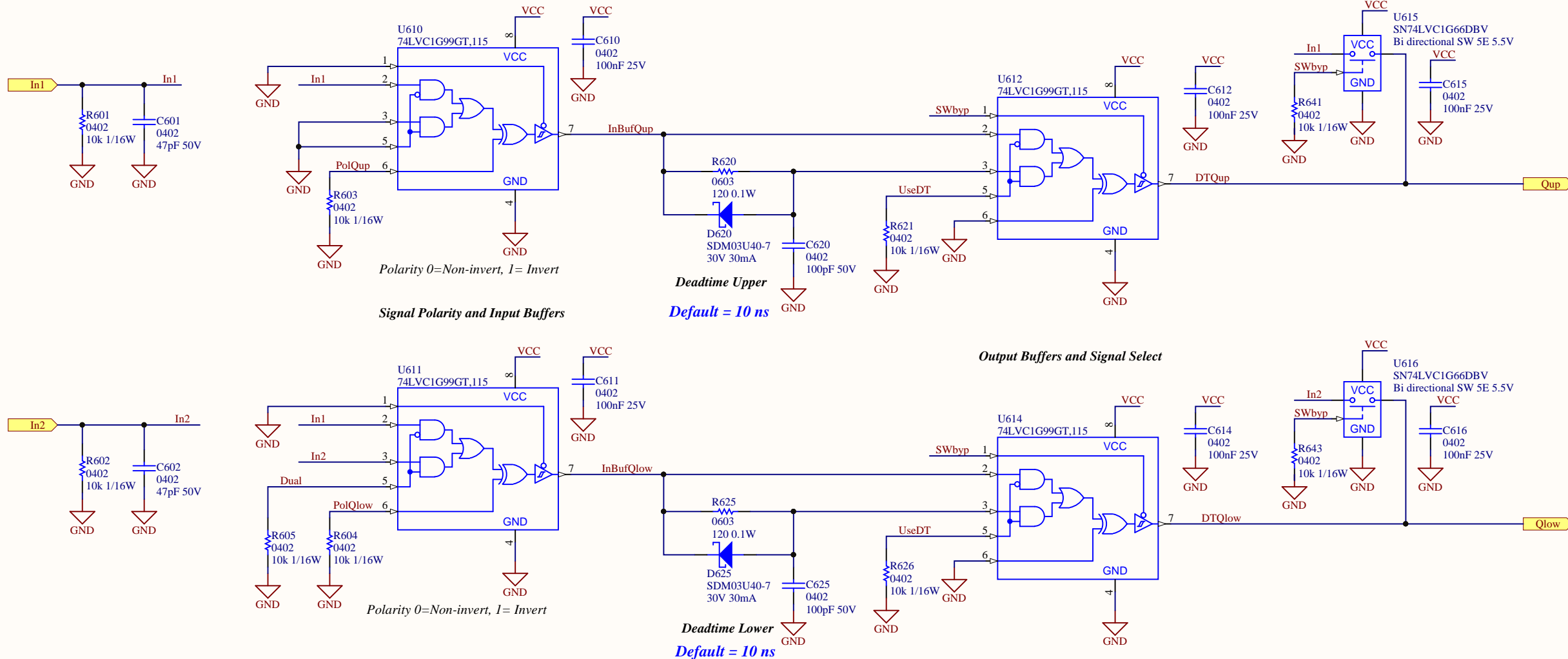
**Buck Single Signal**  
**Boost Single Signal**  
**Dual Signal**

**Dual/Single PWM, Buck, and Boost Mode Selector**



**Full Bypass**  
**DT Bypass**  
**No Bypass**

**Bypass Mode Select**



**General Dead-time with Polarity Changer and Bypass**

Title AP1010 Rev. 3.0		Efficient Power Conversion 909 N. Pacific Coast Hwy, Ste. 23 El Segundo, CA 90245 United States <a href="http://www.epc-co.com">www.epc-co.com</a>	
Size: A	4	Revision: 1	
Date: 9/20/2022	Sheet 4 of 4		
File: AP1010_Rev3_02_GeneralDeadtime.SCHDOC			