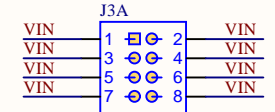
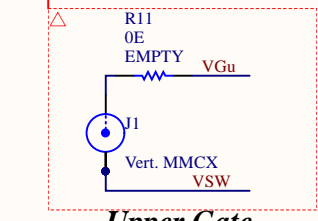
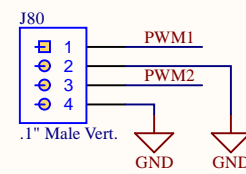


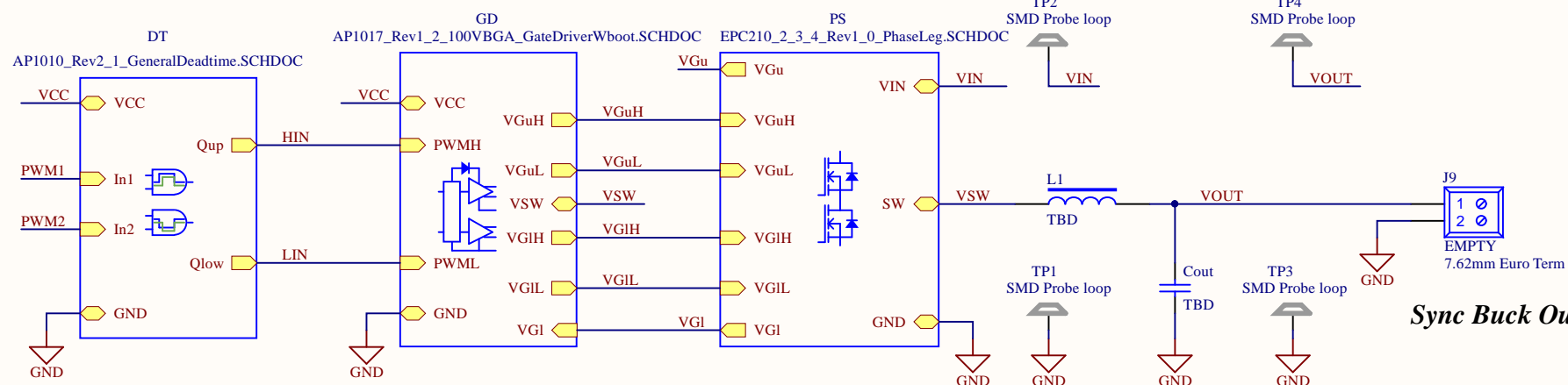
**Intermediate Capacitors**



**Main Supply Input**



**Signal Inputs**

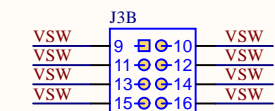


**dead-time and buffers**

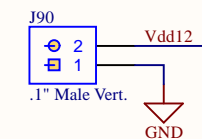
**Gate Driver**

**Power Stage**

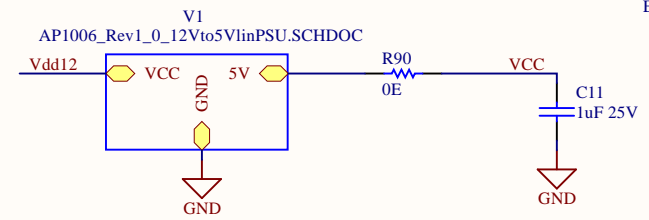
**Sync Buck Output**



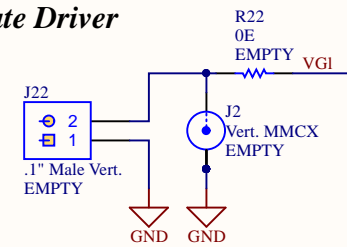
**SW Output**



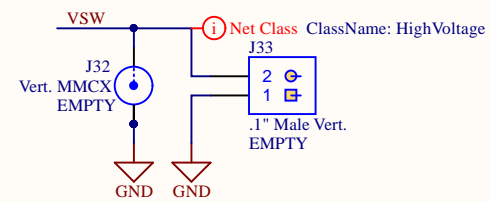
**Logic Supply 12VDC**



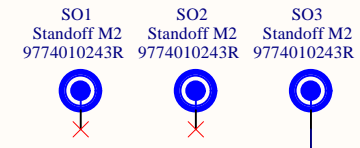
**5 V Logic Regulator**



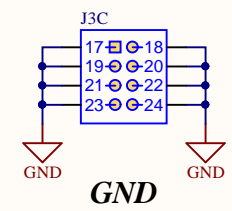
**Lower Gate**



**Switch-node**



**Heatspreader Mount**



**GND**

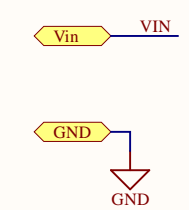


For evaluation only;  
not FCC approved for resale

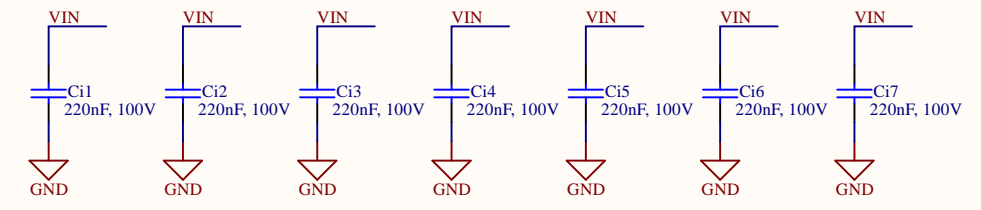
© Copyright EPC 2020

Evaluation Board for EPC2102 EPC2103 EPC2104

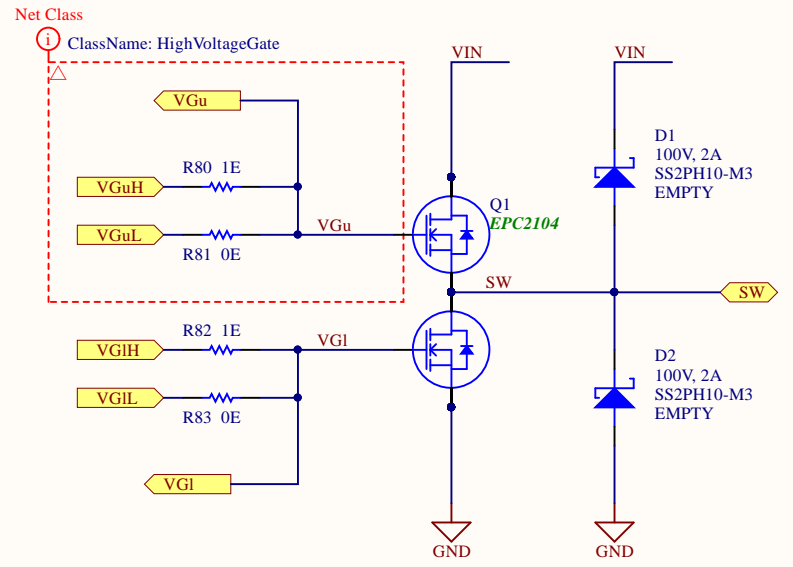
Title EPC9038 B5001 Rev. 2.0		Efficient Power Conversion 909 N. Pacific Coast Hwy, Ste. 231 El Segundo, CA 90245 United States www.epc-co.com	Cannot open file C:\EPCLibrary\EPC Library\Logos\EPC_Log OL.jpg
Size: A	Revision: 1	Date: 8/24/2020	Sheet 1 of 1
File: EPC9038_B5001_Rev2_0.SCHDOC			



**DC Input**  
 60 Vmax. EPC2102  
 80 Vmax. EPC2103  
 100 Vmax. EPC2104

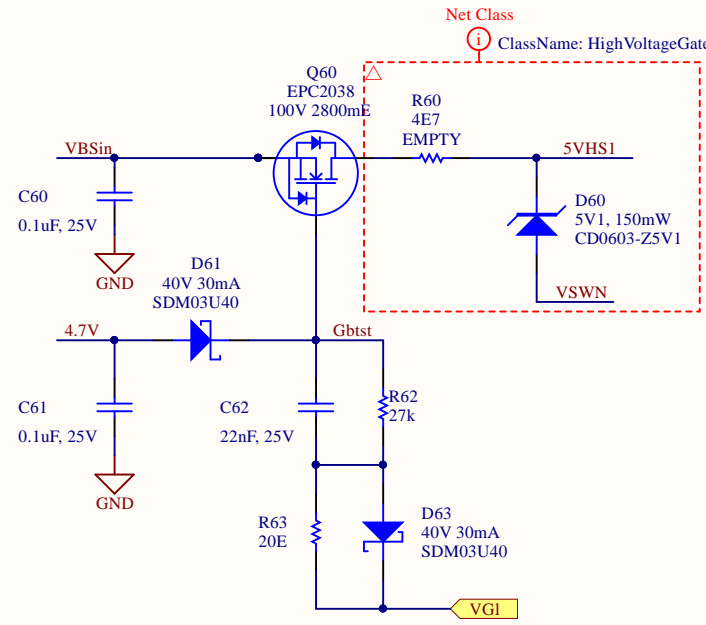
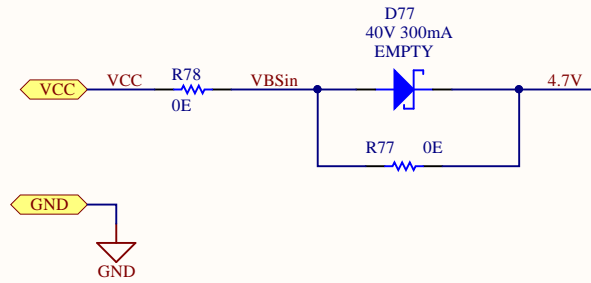


**HF loop Capacitors**

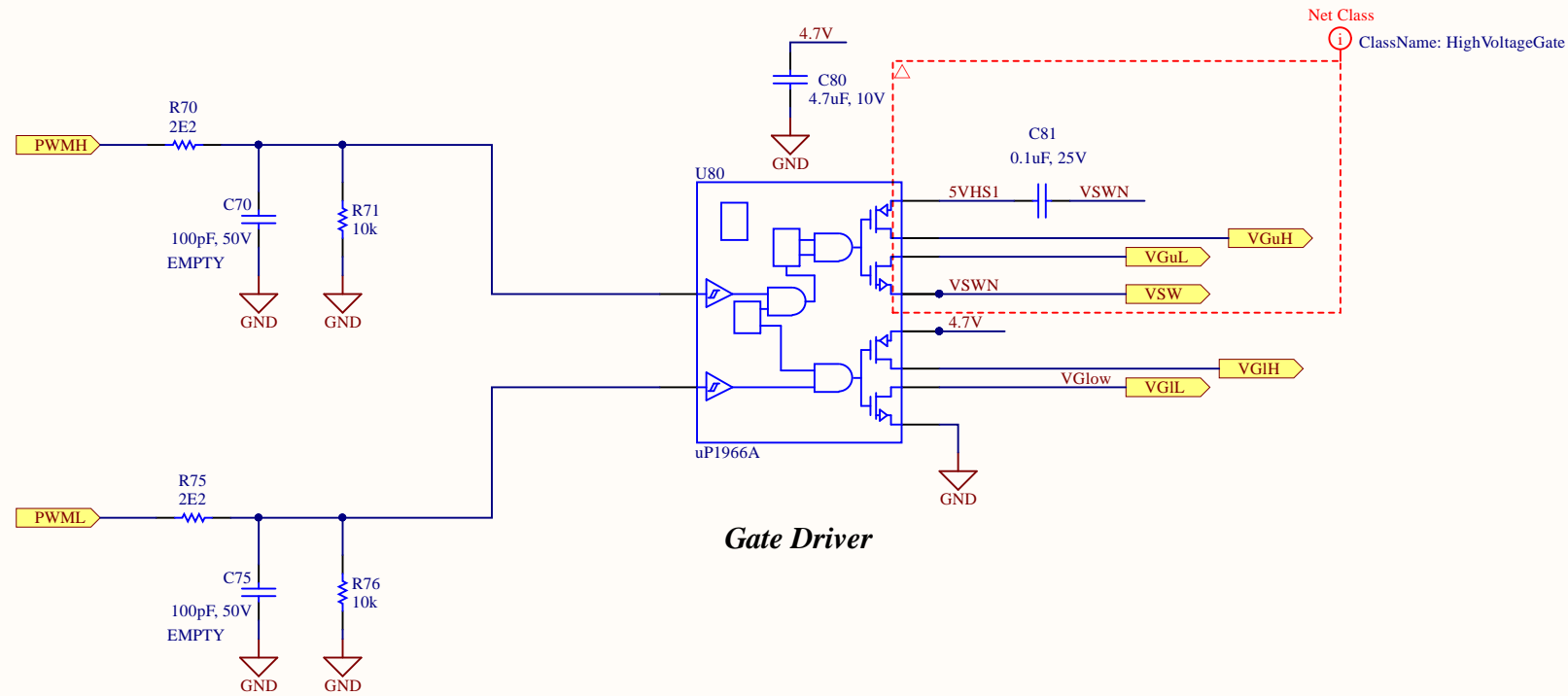


**Power Stage      Optional Diodes**

Sync Boot = Install R60 and D77, remove R77  
 No Sync Boot = Install R77, remove R60 and D77  
 Default = No Sync Boot



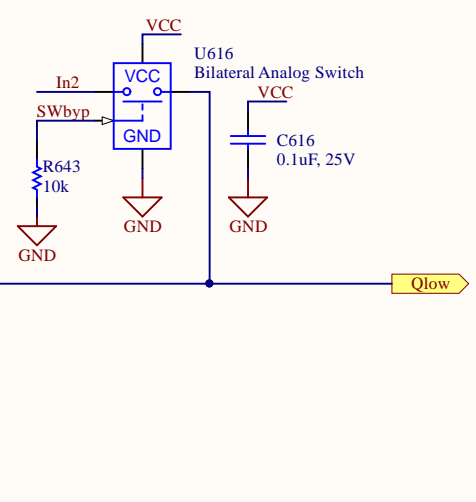
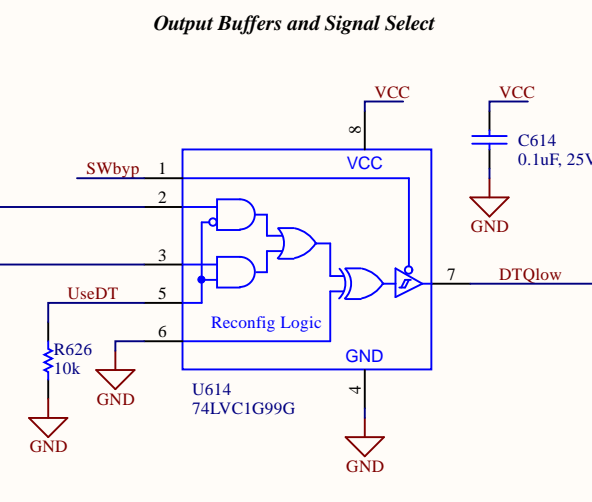
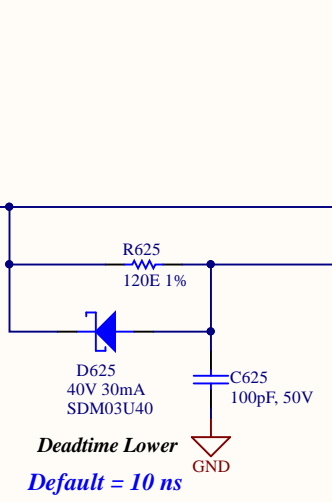
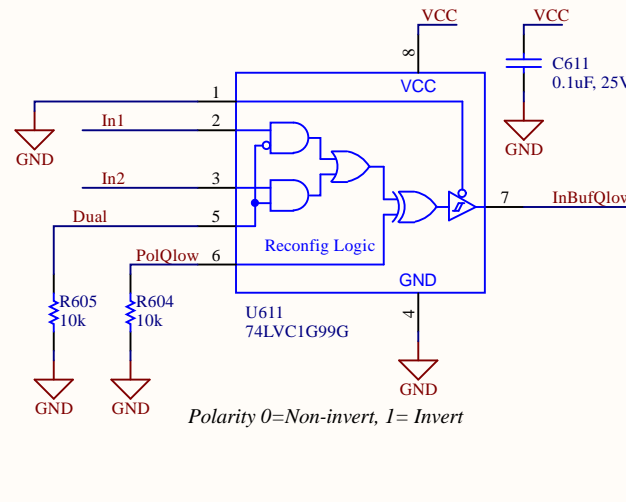
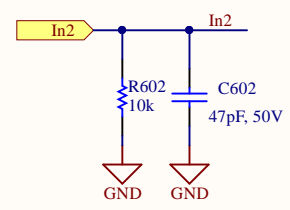
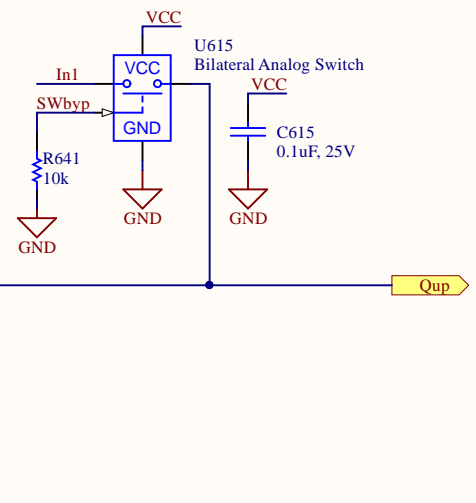
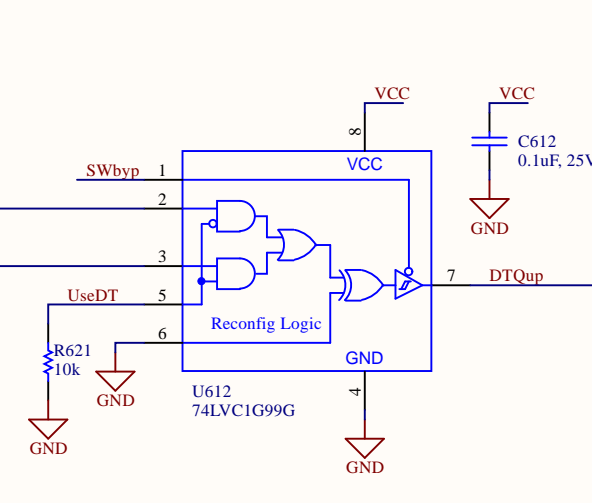
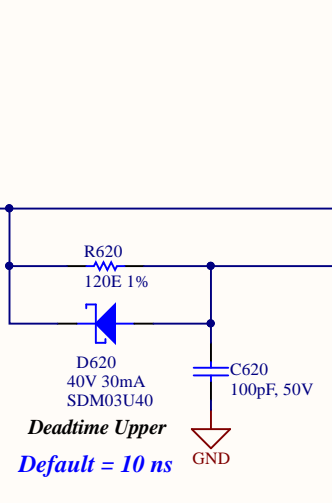
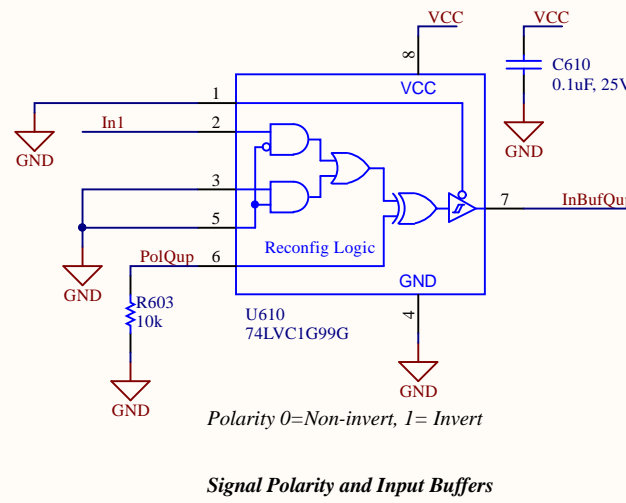
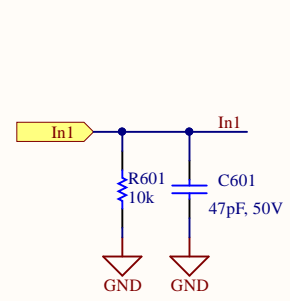
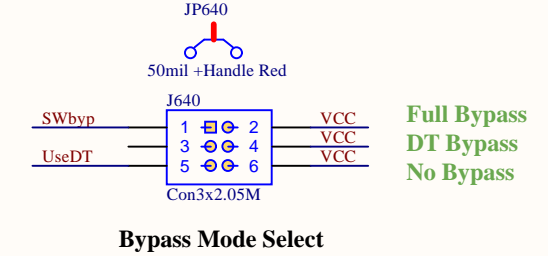
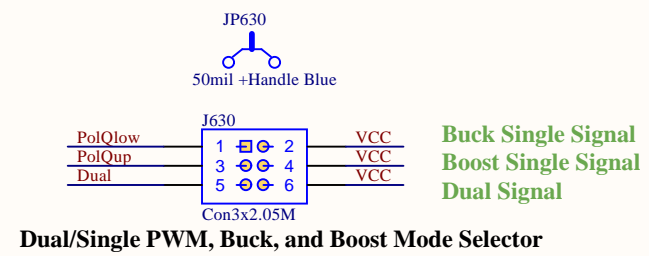
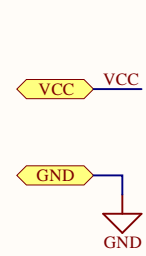
**Synchronous Bootstrap Power Supply**

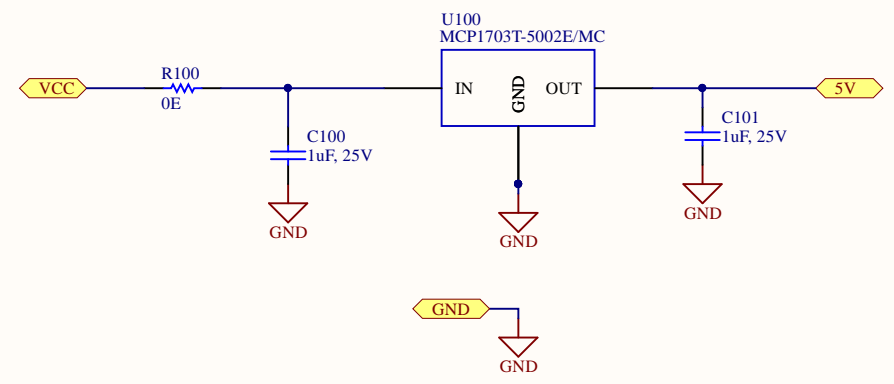


**Gate Driver**


**100 V Gate Driver with Bootstrap**

Title AP1017 Rev. 1.2		Efficient Power Conversion 909 N. Pacific Coast Hwy, Ste. 23 El Segundo, CA 90245 United States <a href="http://www.epc-co.com">www.epc-co.com</a>	
Size: A	*	Revision: 1	
Date: 8/17/2020		Sheet 1 of 1	
File: AP1017_Rev1_2_100VBGA_GateDriverWboot.SCHDOC			





12 V to 5 V LDO power supply

Title AP1006 Rev. 1.0		Efficient Power Conversion 909 N. Pacific Coast Hwy, Ste. 23 El Segundo, CA 90245 United States <a href="http://www.epc-co.com">www.epc-co.com</a>	
Size: A	*	Revision: 1	
Date: 8/11/2020		Sheet 1 of 1	
File: AP1006_Rev1_0_12Vto5VlinPSU.SCHDOC			

© Copyright EPC 2020