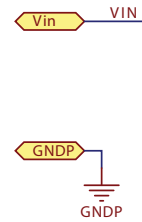
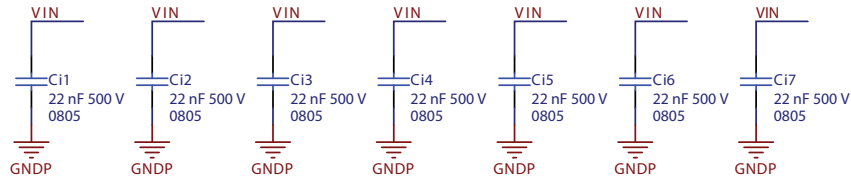


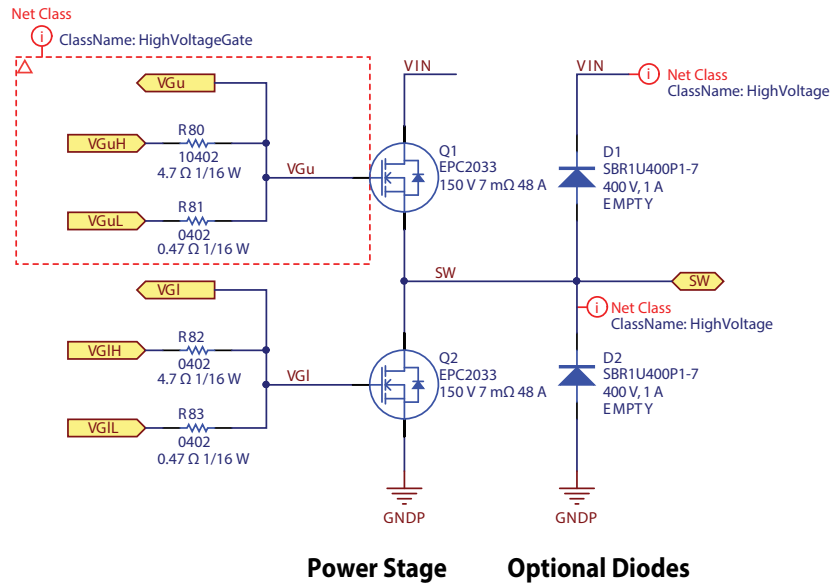
Figure 15: Main schematic using EPC2034C



**DC Input  
160 Vmax.**



**HF Loop Capacitors**



**Power Stage**

**Optional Diodes**

Figure 16: Power Stage schematic

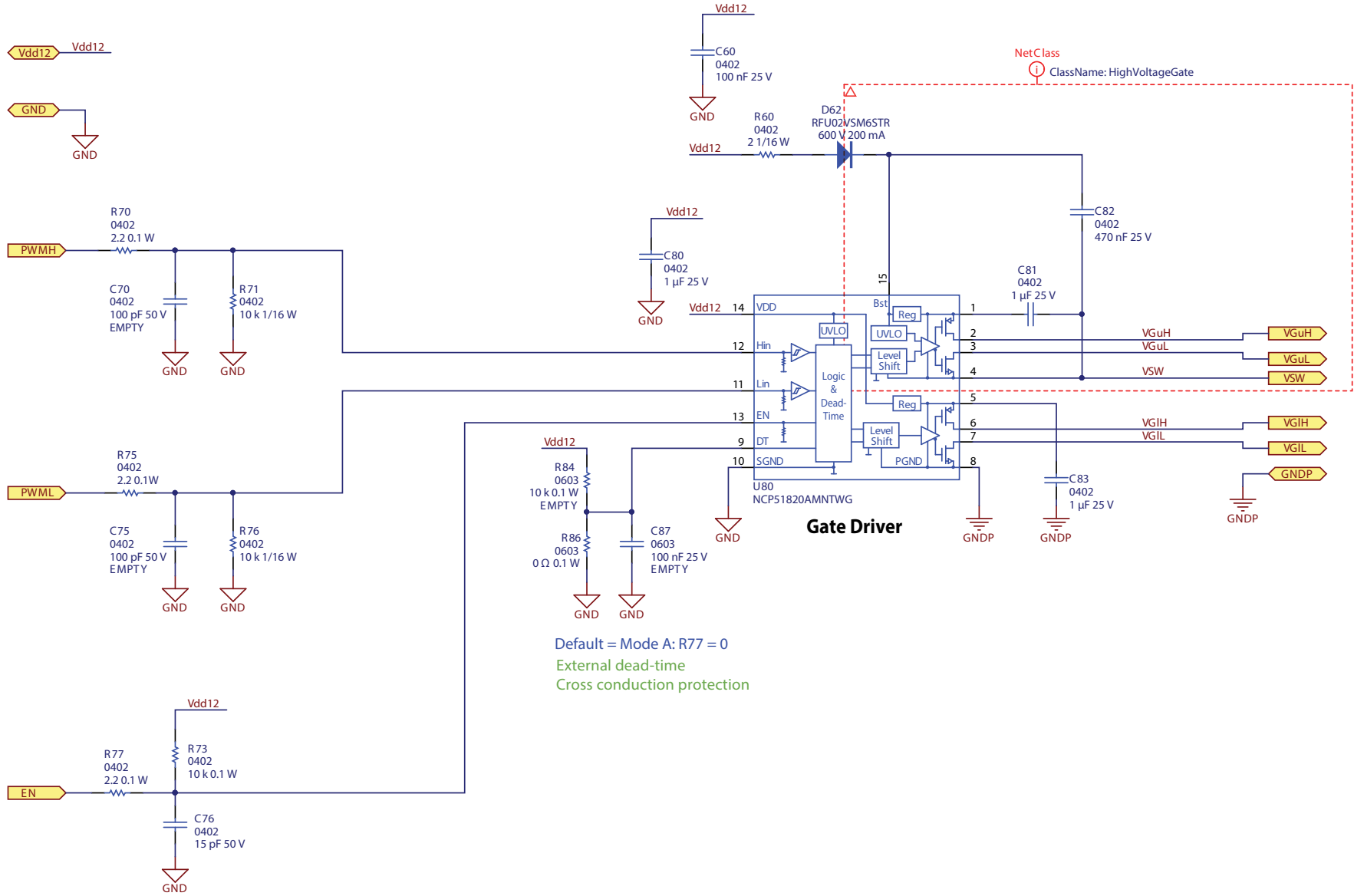


Figure 17: Gate Driver schematic

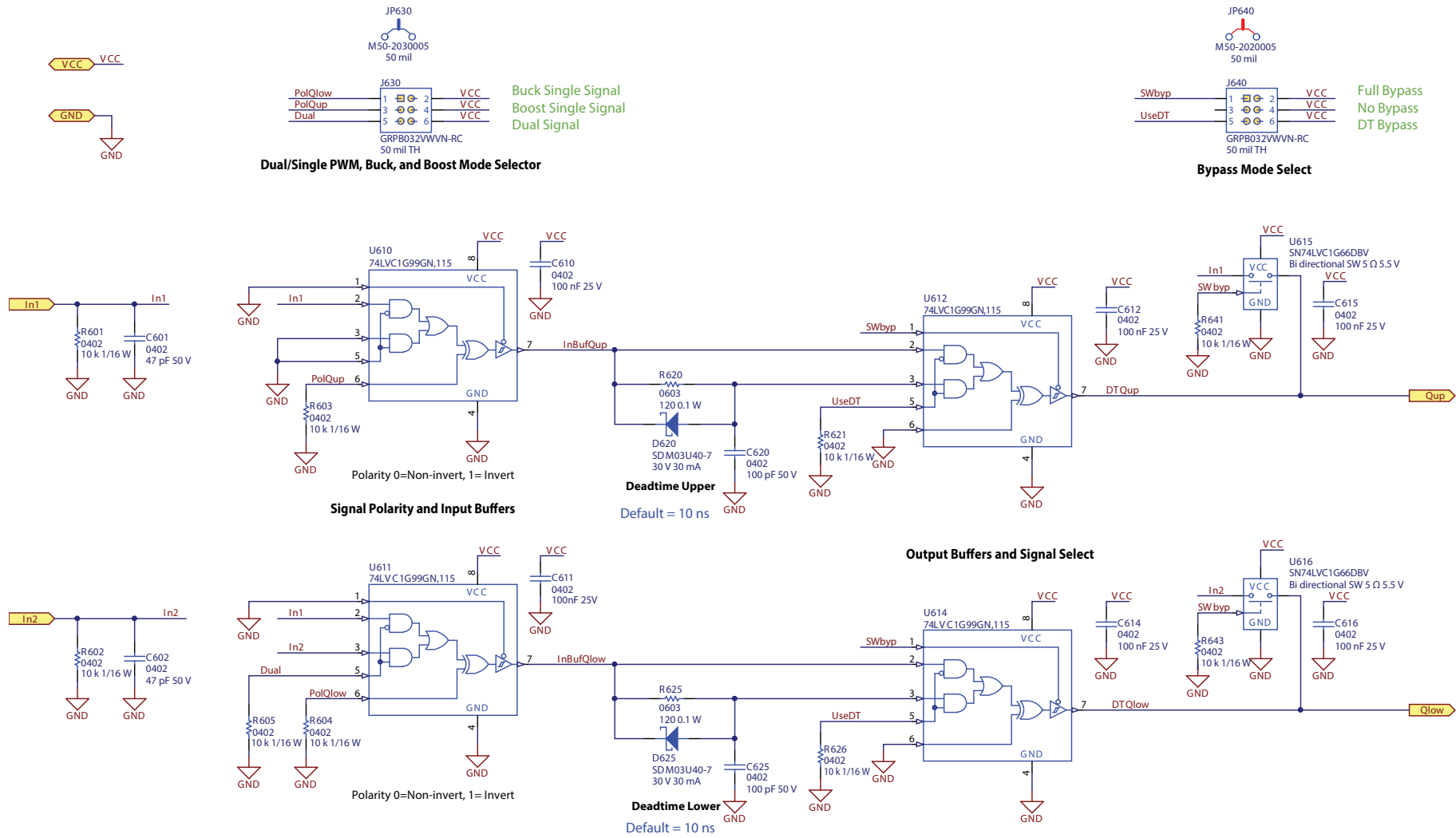


Figure 18: Dead-time and Bypass schematic

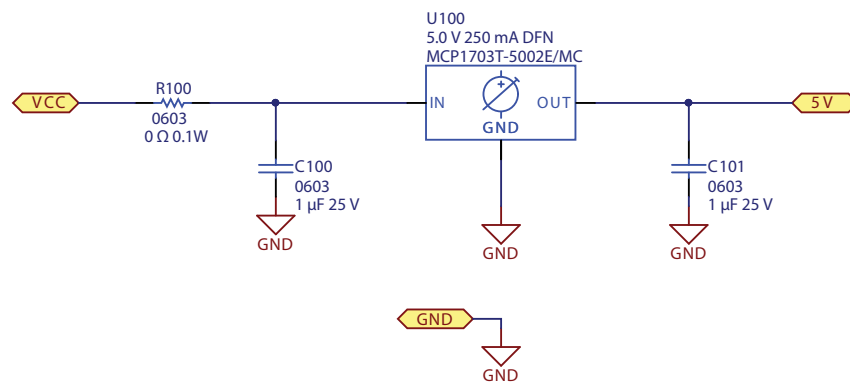


Figure 19: Logic Supply Regulator schematic