

Figure 6: EPC9065 - Gate Driver Schematic

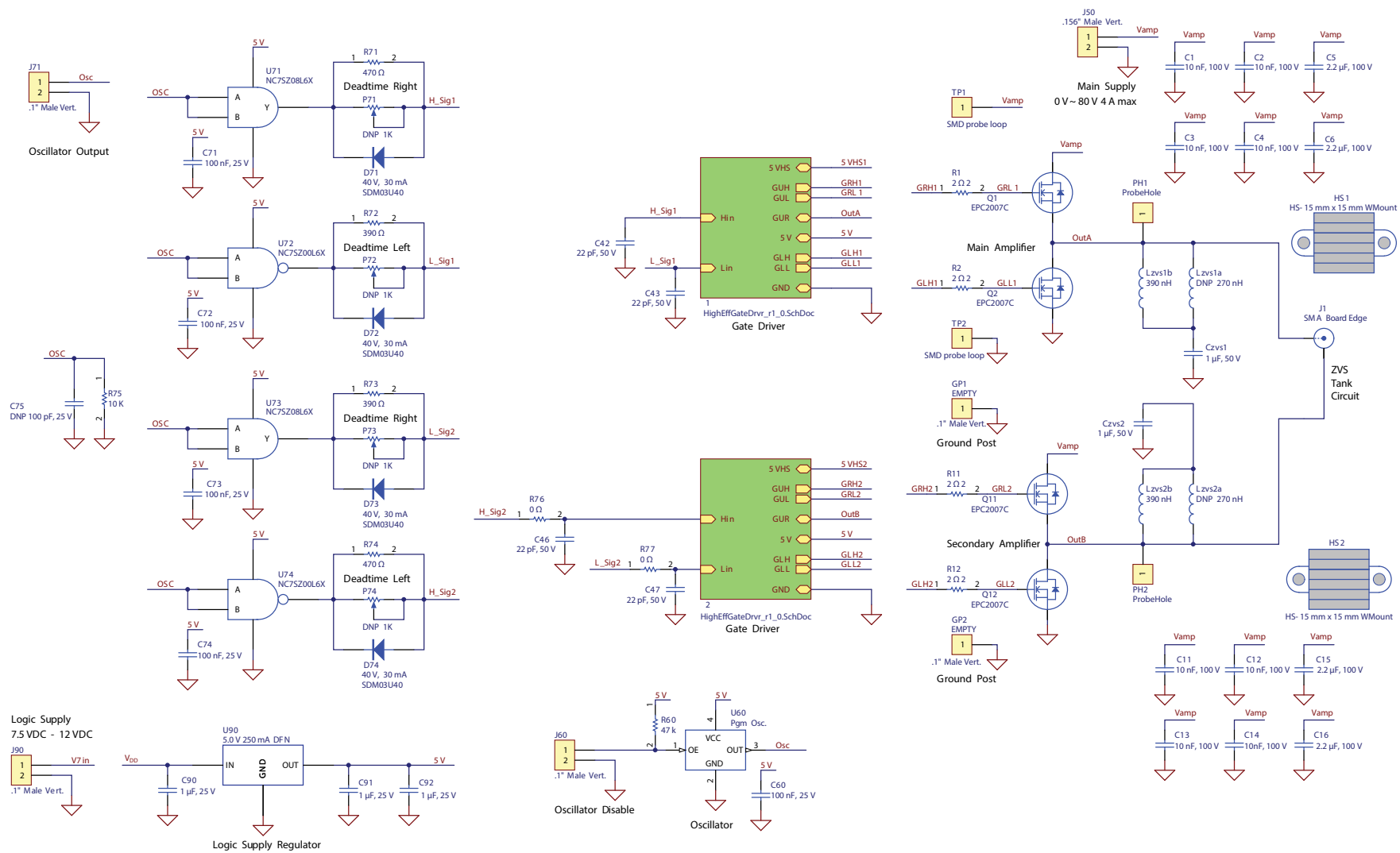


Figure 7: EPC9065 – ZVS Class D Schematic