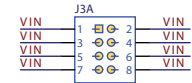
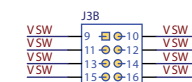


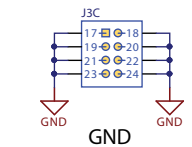
Figure 11: EPC9097 main schematic



Main Supply Input



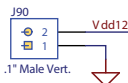
SW Output



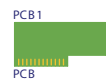
GND



Signal Inputs



Logic Supply  
12 VDC



For evaluation only;  
not FCC approved for resale

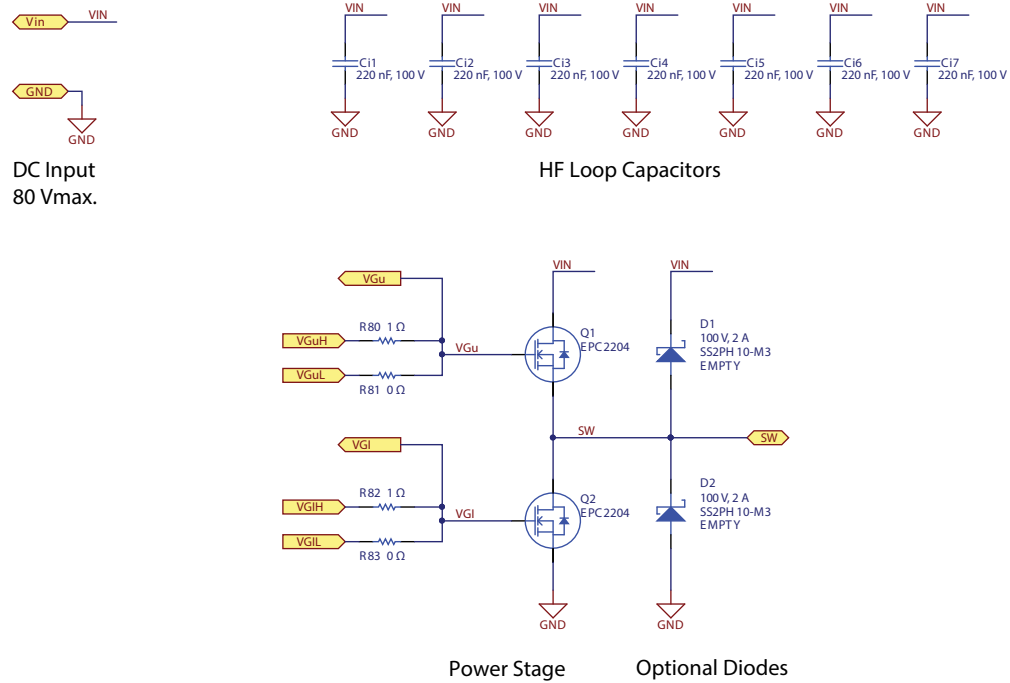


Figure 12: EPC9097 Power Stage schematic

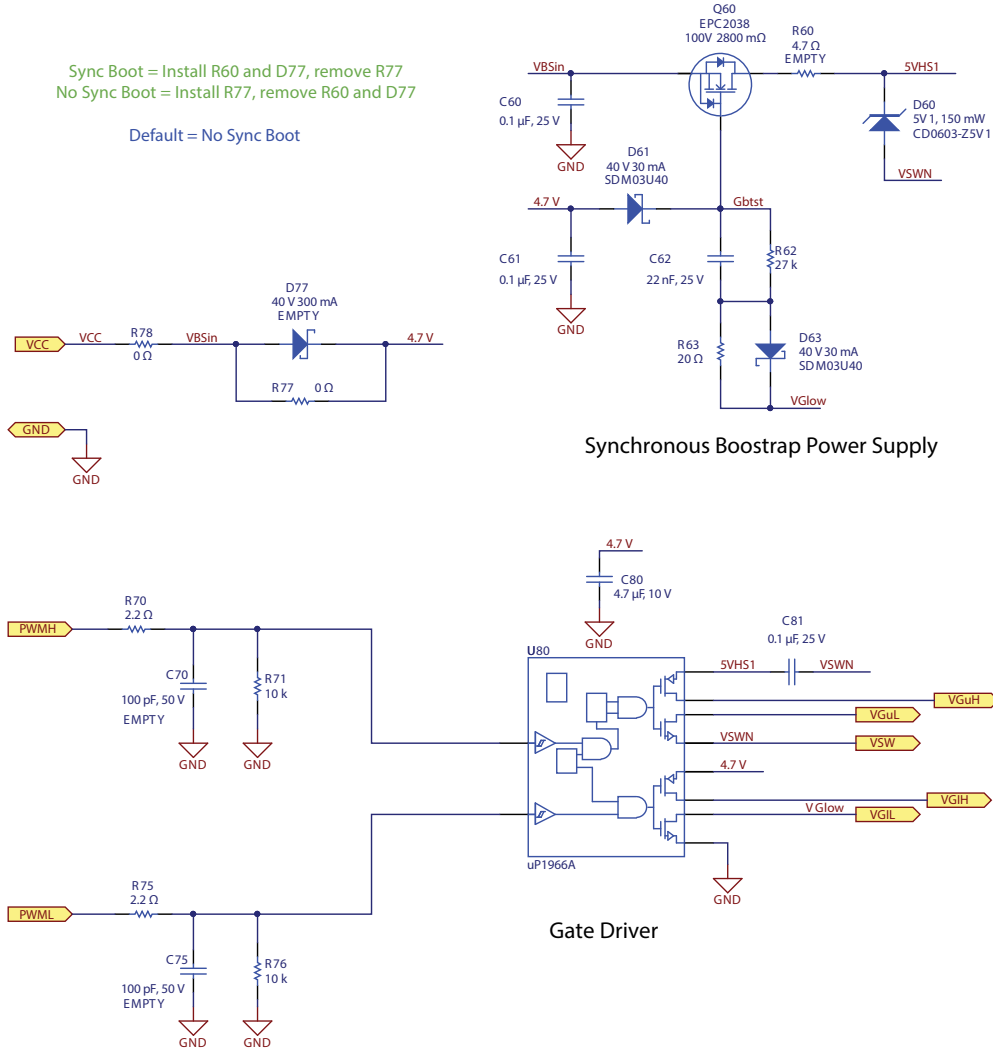


Figure 13: EPC9097 Gate Driver schematic

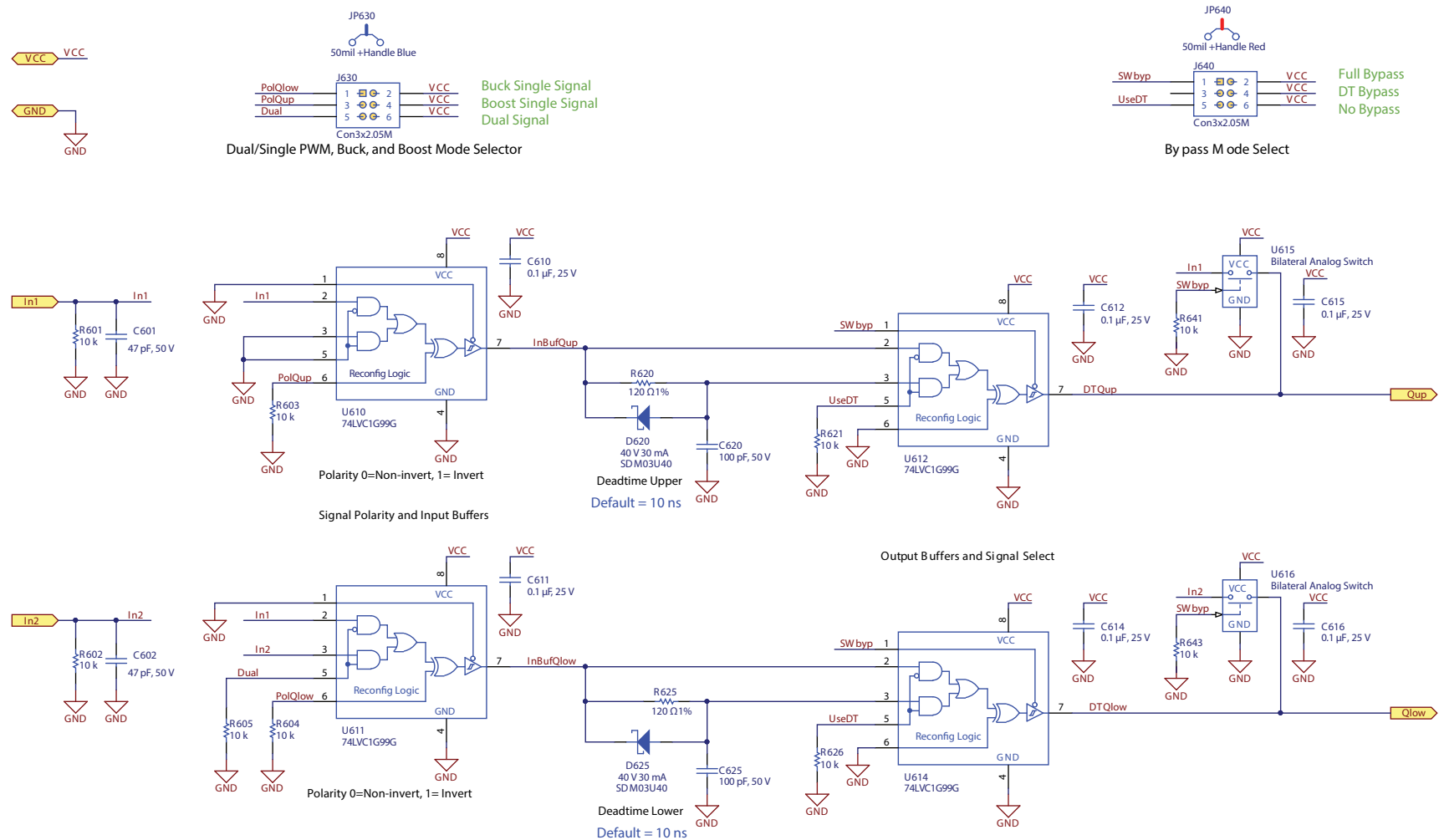


Figure 14: EPC9097 Dead-time and Bypass schematic

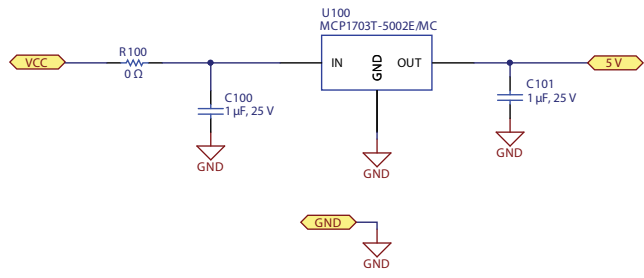


Figure 15: EPC9097 Logic Supply Regulator schematic