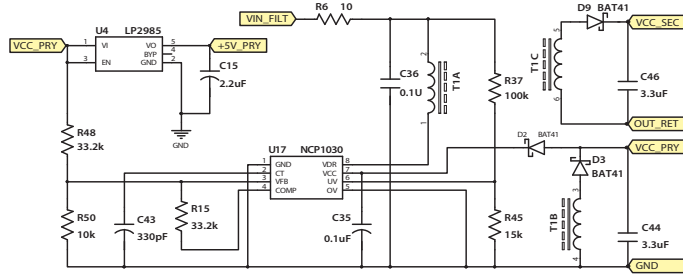
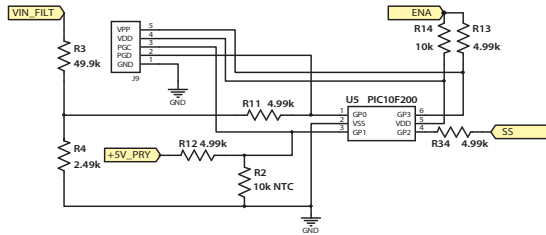


Demonstration Board – EPC9102 Schematic

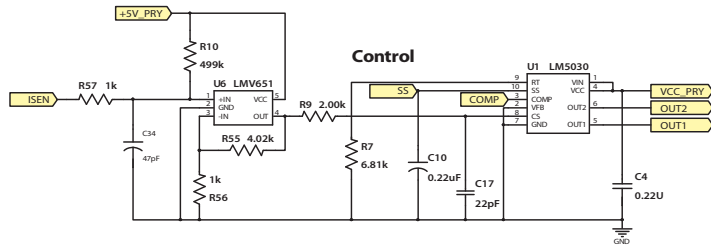
Rev. 1.0



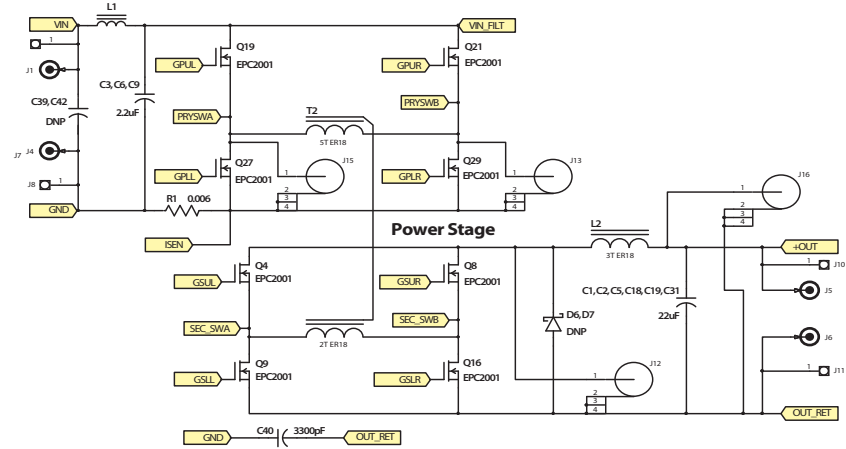
Auxiliary Supply



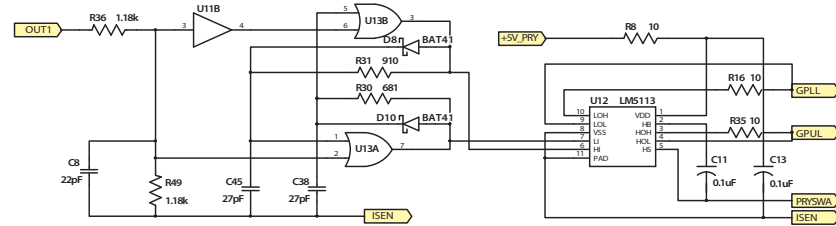
Control



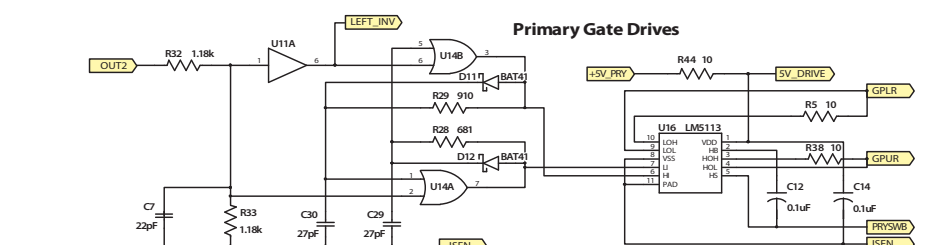
Feedback



Power Stage



Primary Gate Drives



Secondary Gate Drives