

Figure 7a: Demonstration board EPC9106 schematic, channel 1.

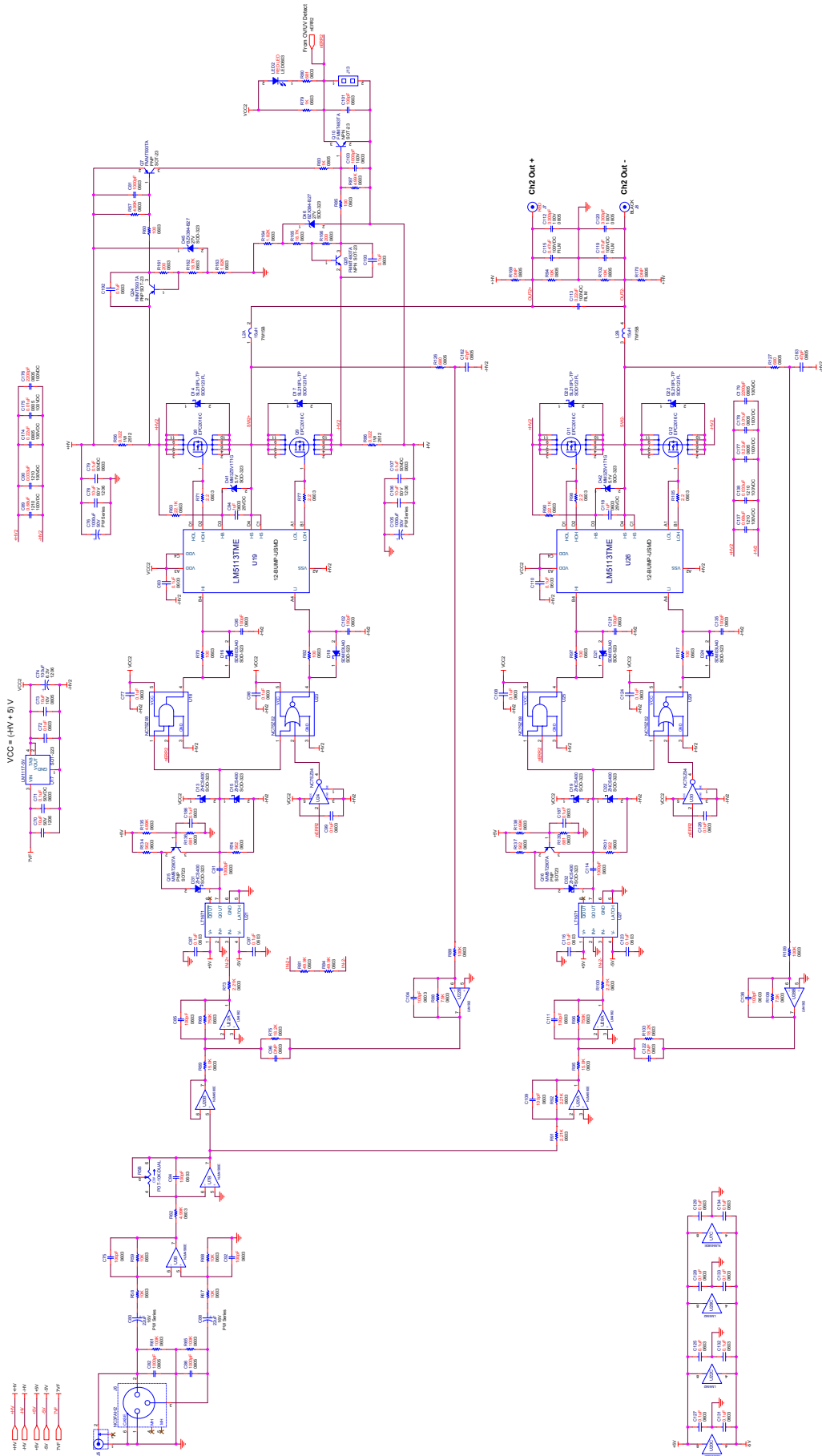


Figure 7b: Demonstration board EPC9106 schematic, channel 2.

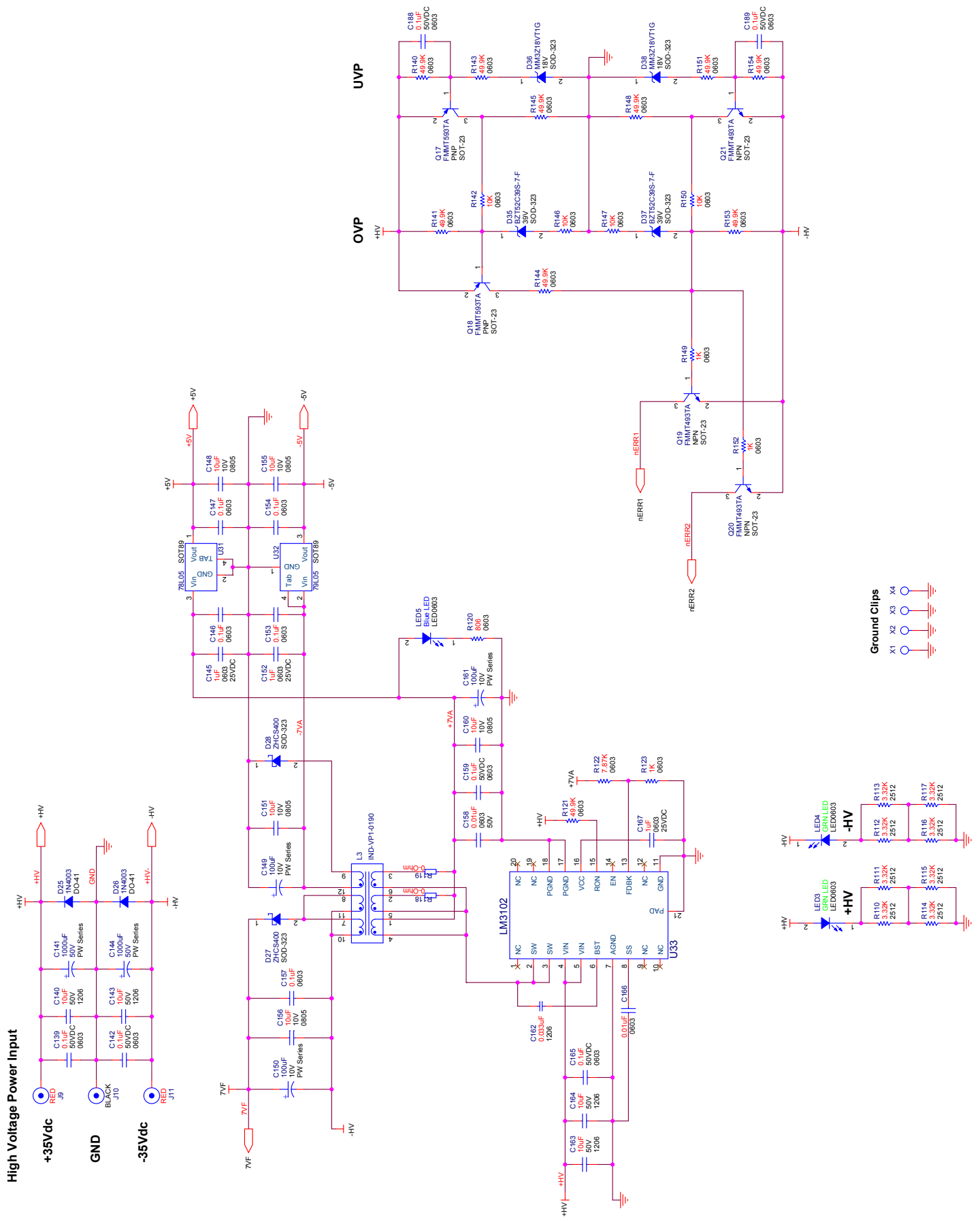


Figure 7c: Demonstration board EPC9106 schematic, power supplies.