

Figure 11: EPC9507 Pre-Regulator Schematic

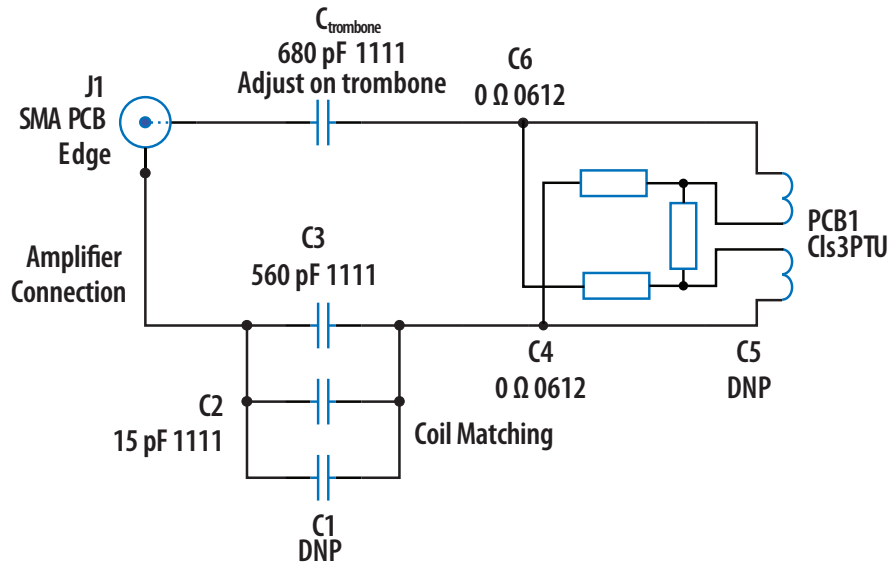


Figure 12: Class 3 Source Board Schematic

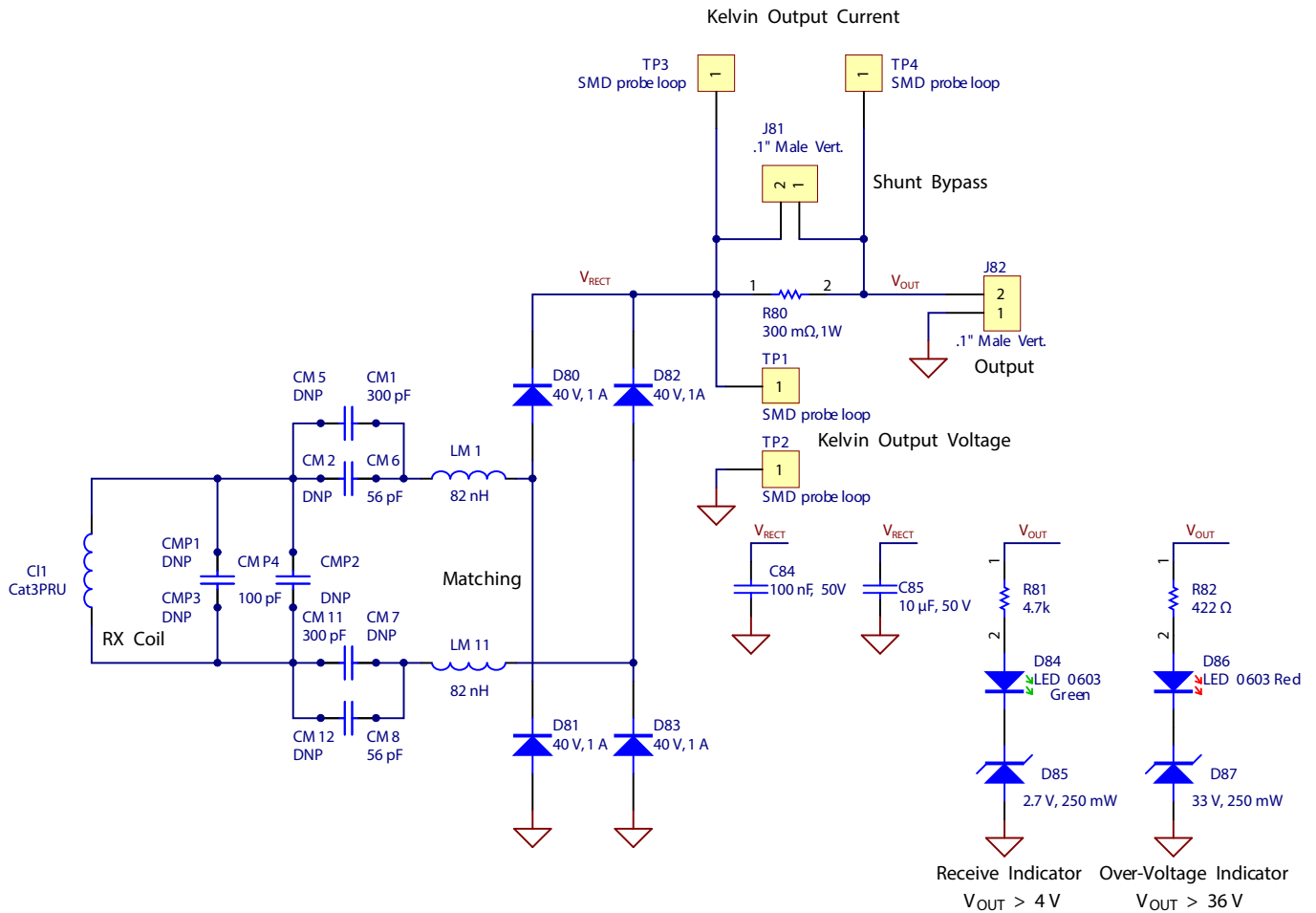


Figure 13: Category 3 Device Board Schematic