

Figure 13: EPC9120 - ZVS class-D amplifier schematic.

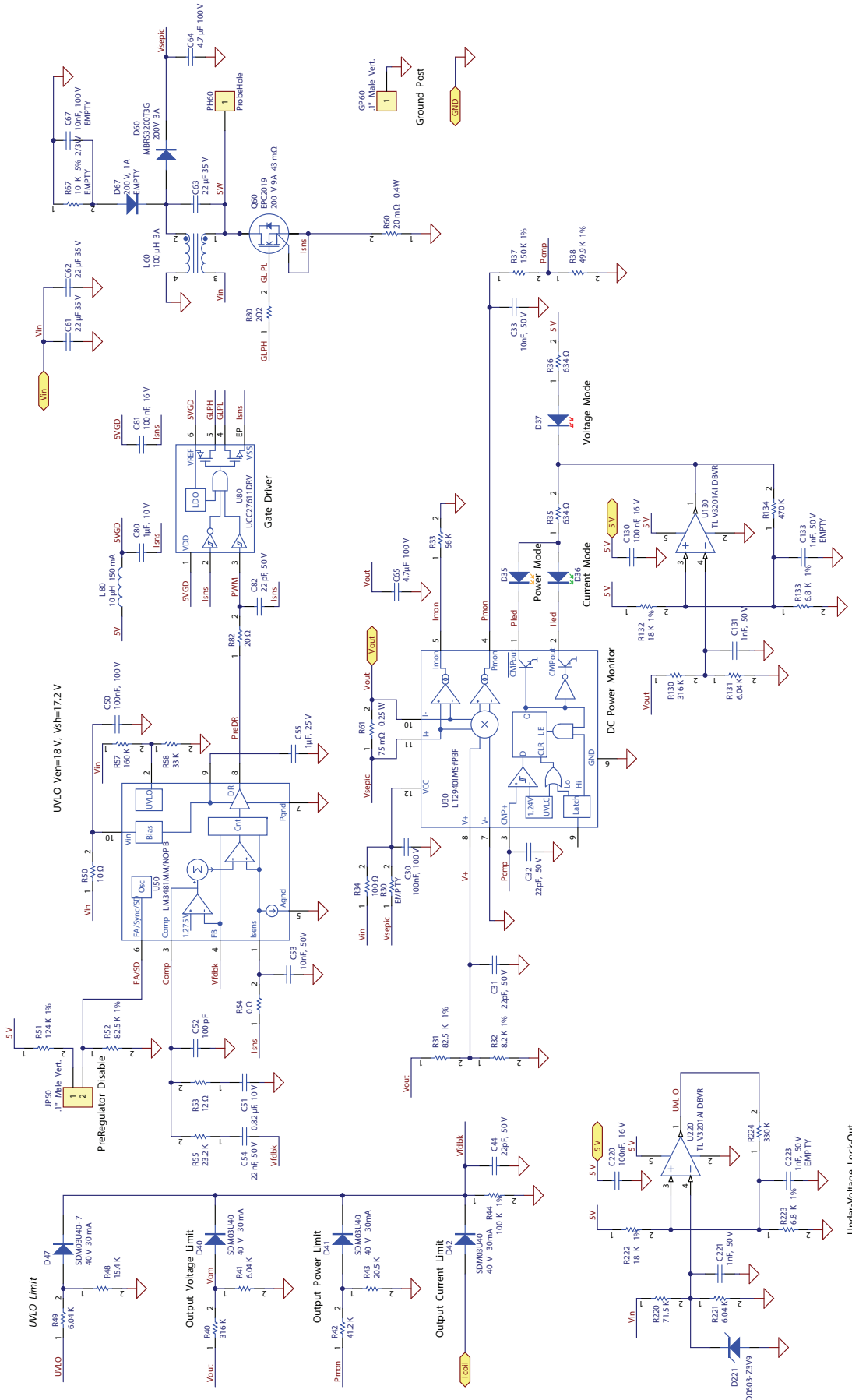


Figure 14: EPC9512 - Pre-regulator schematic for wireless power transfer source.

Under-Voltage Lock-Out
Set to 18 V with +/- 0.7 V hysteresis

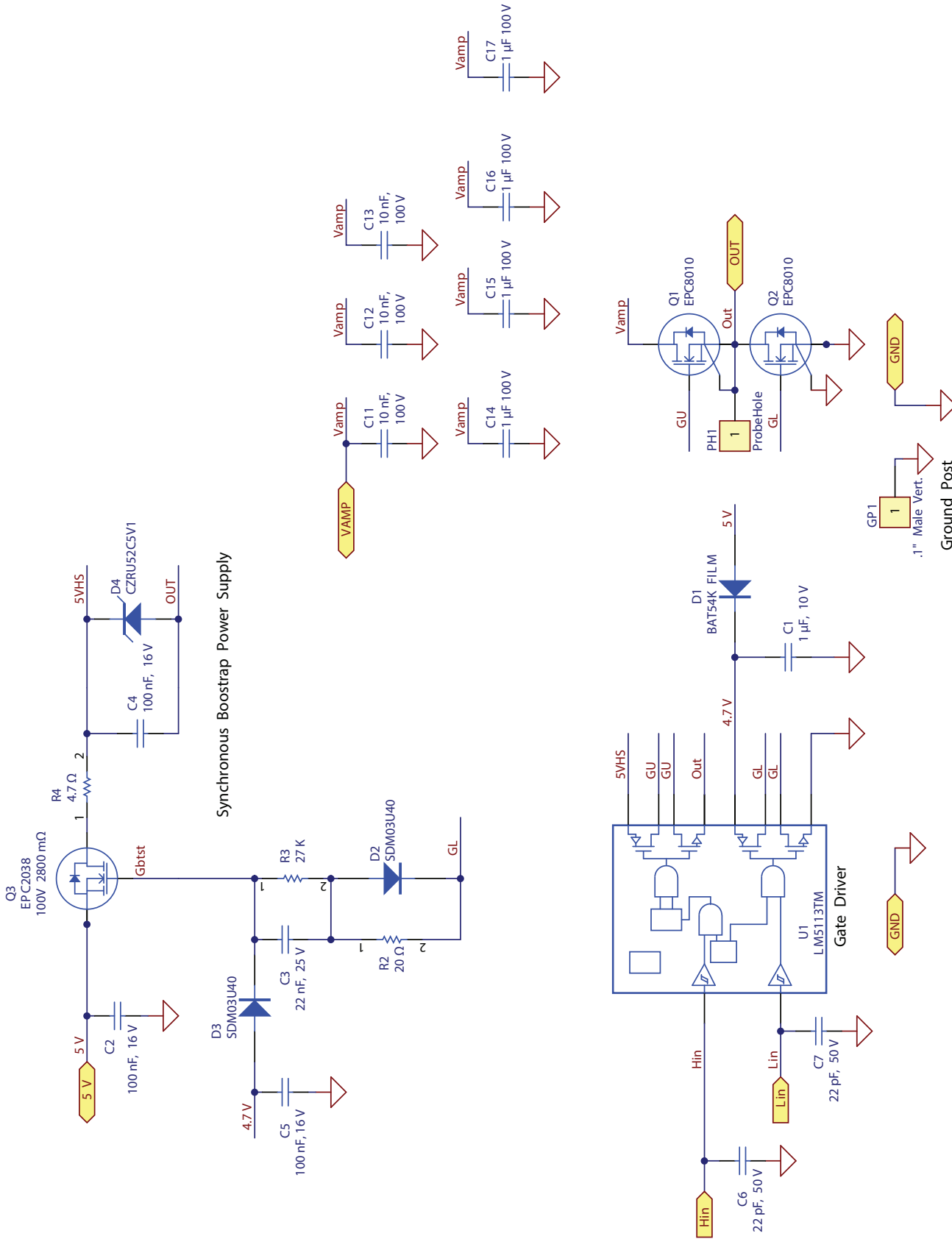


Figure 15: EPC9512 – Gate driver and power devices schematic. This schematic is repeated for each single-ended ZVS class-D amplifier.

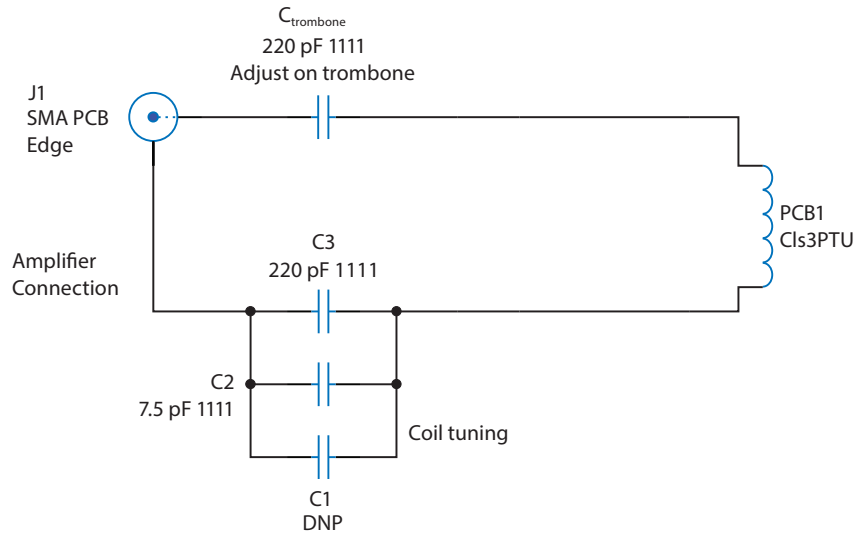


Figure 16: Class 4 source board schematic.

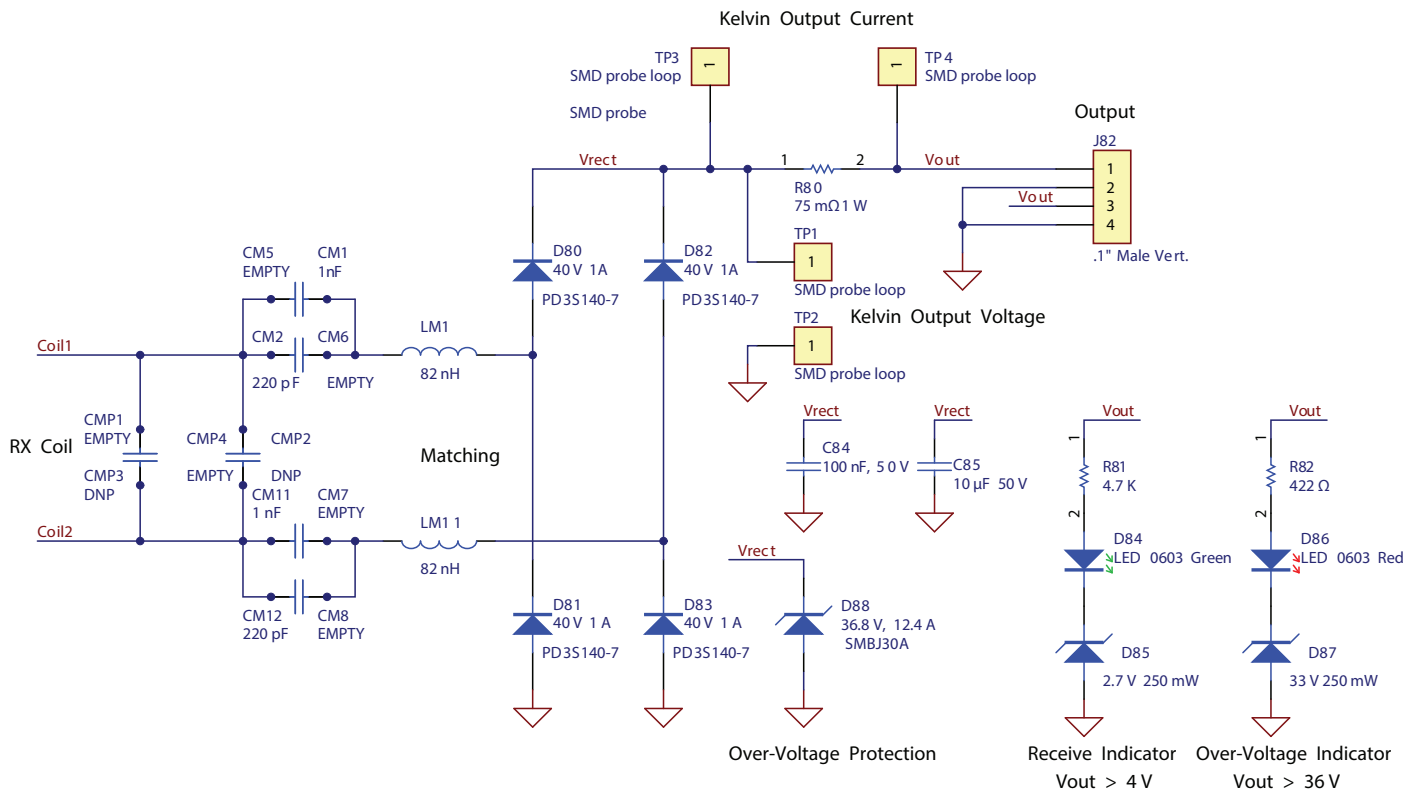


Figure 17: AirFuel Category 4 wireless device board schematic.

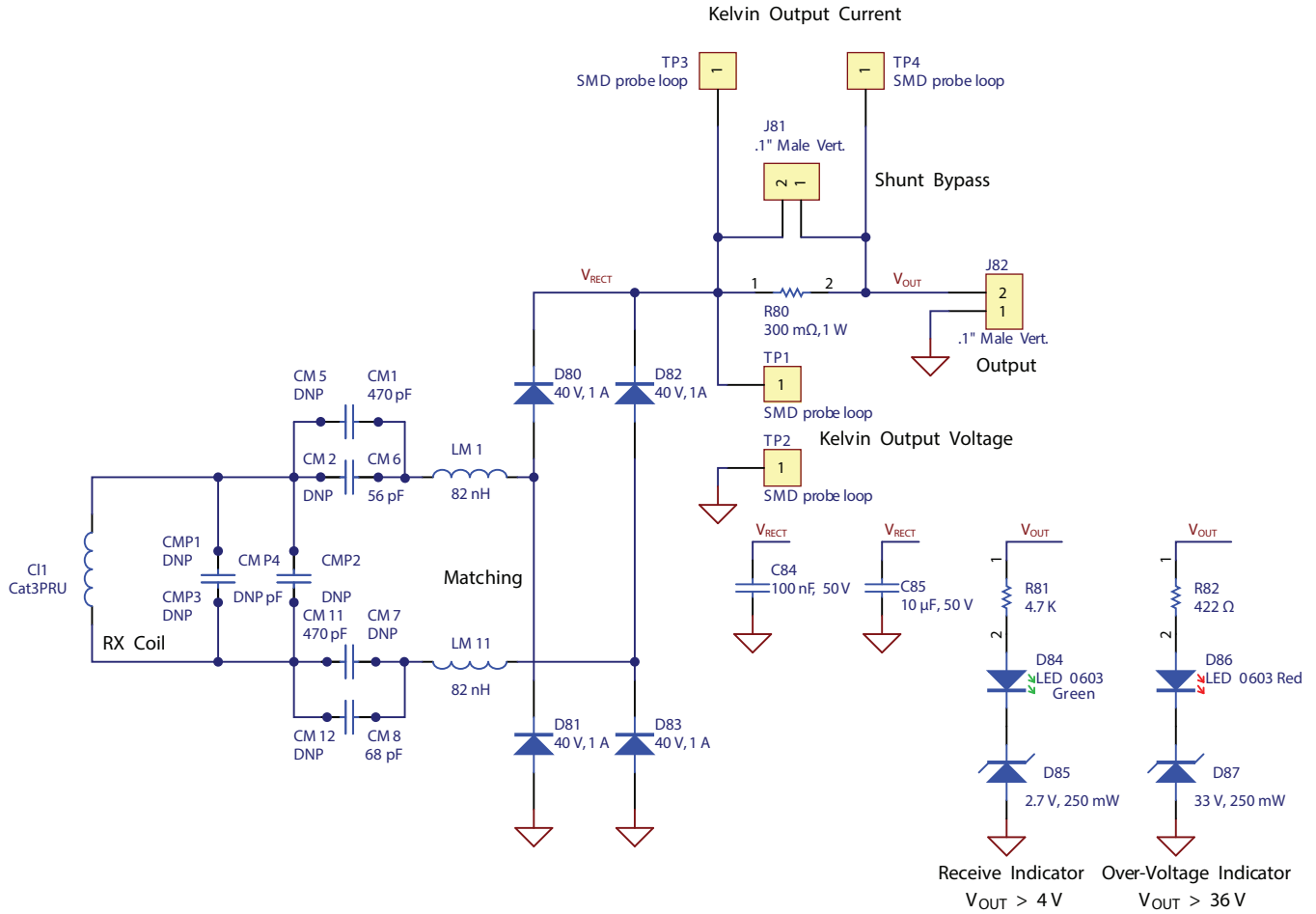


Figure 18: Category 3 device board schematic.