

Figure 13: EPC9121 - ZVS class-D amplifier schematic



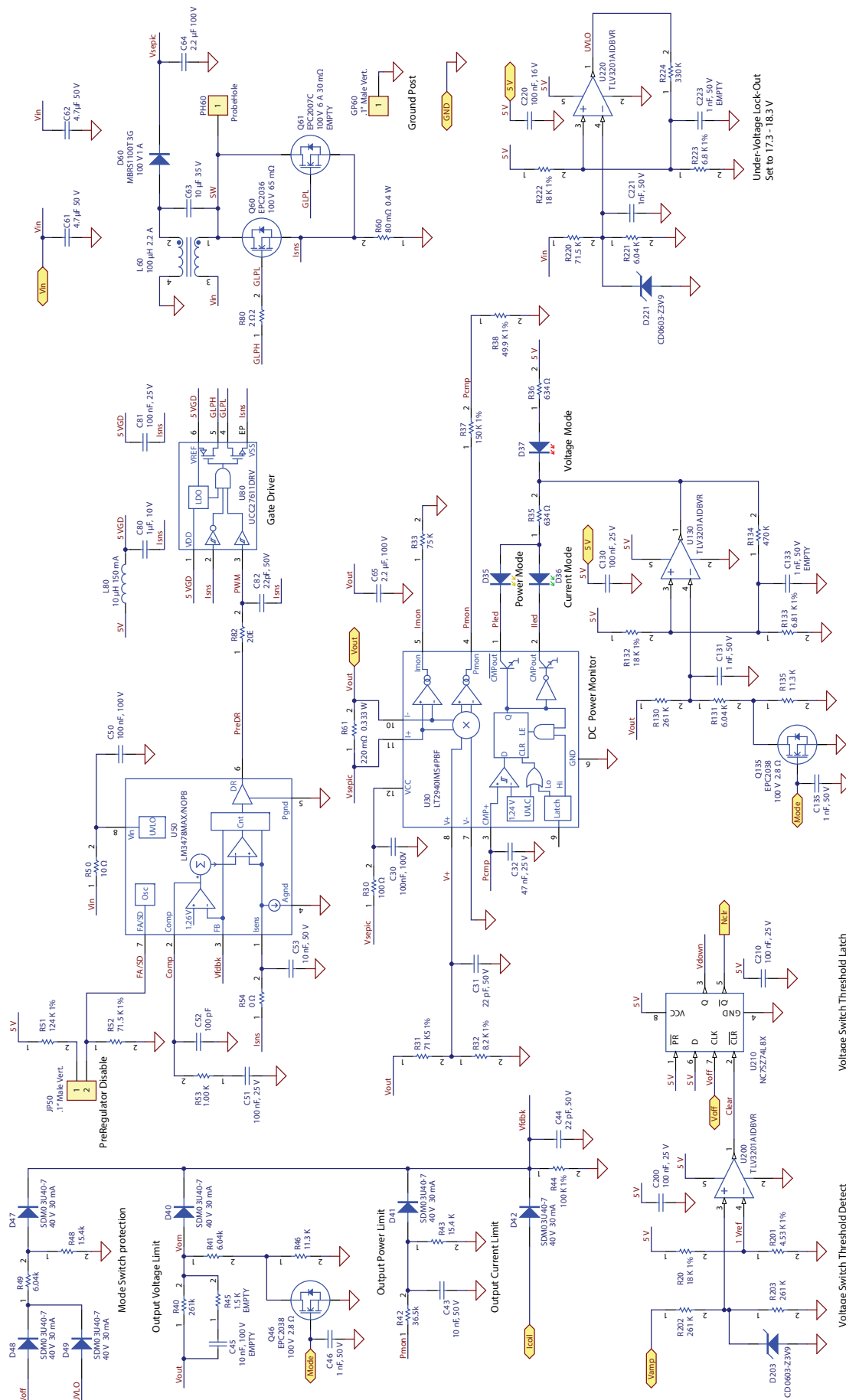


Figure 15: EPC9511 - Pre-regulator schematic

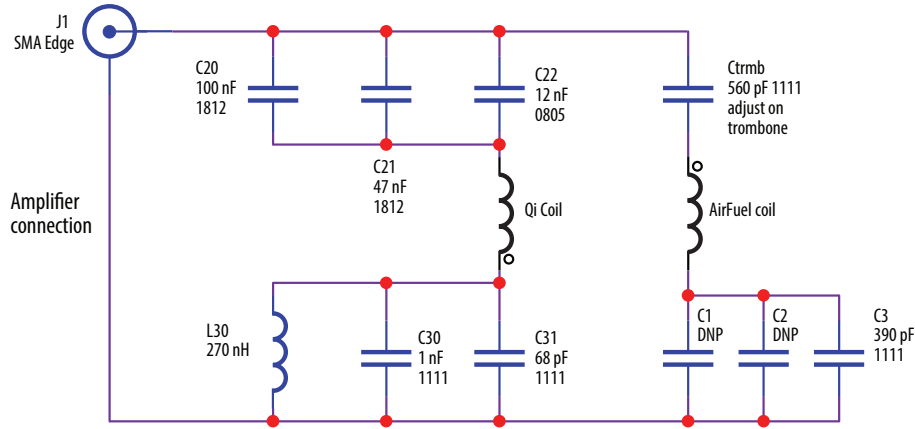


Figure 16: Source coil schematic

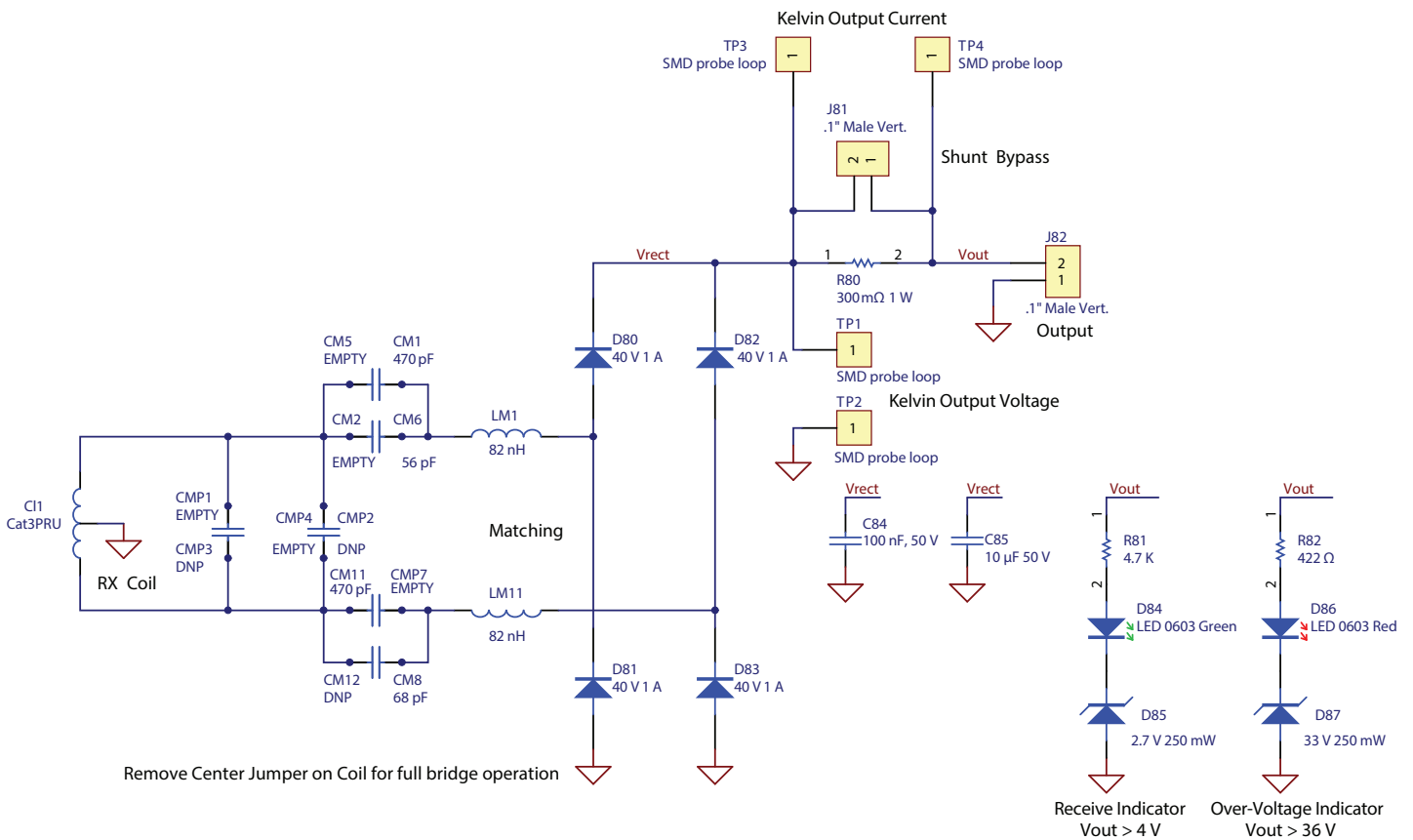


Figure 17: Category-3 AirFuel device schematic

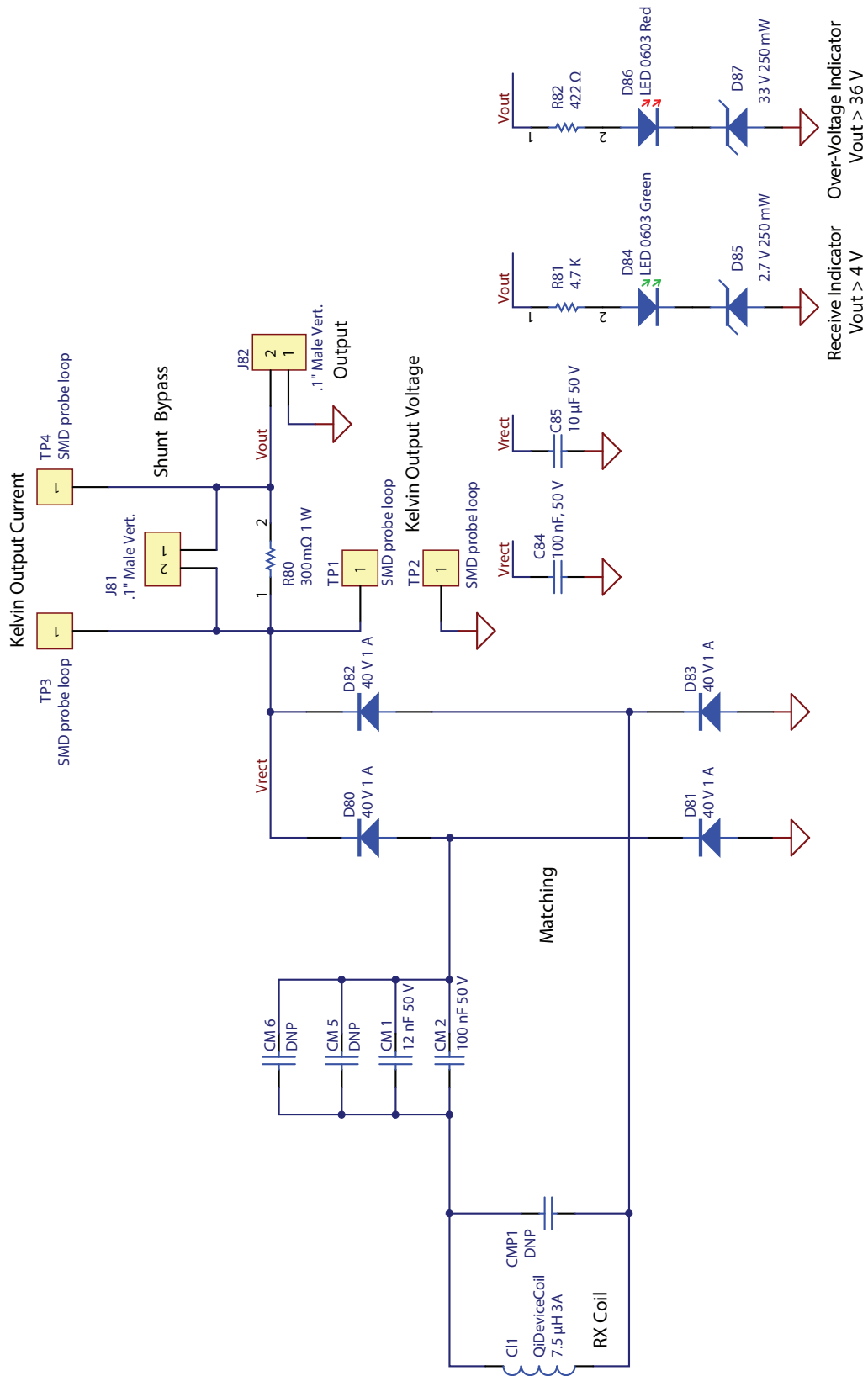


Figure 18: Qi/PMA device schematic