

Figure 11: EPC9510-ZVS class-D schematic Rev 3.0

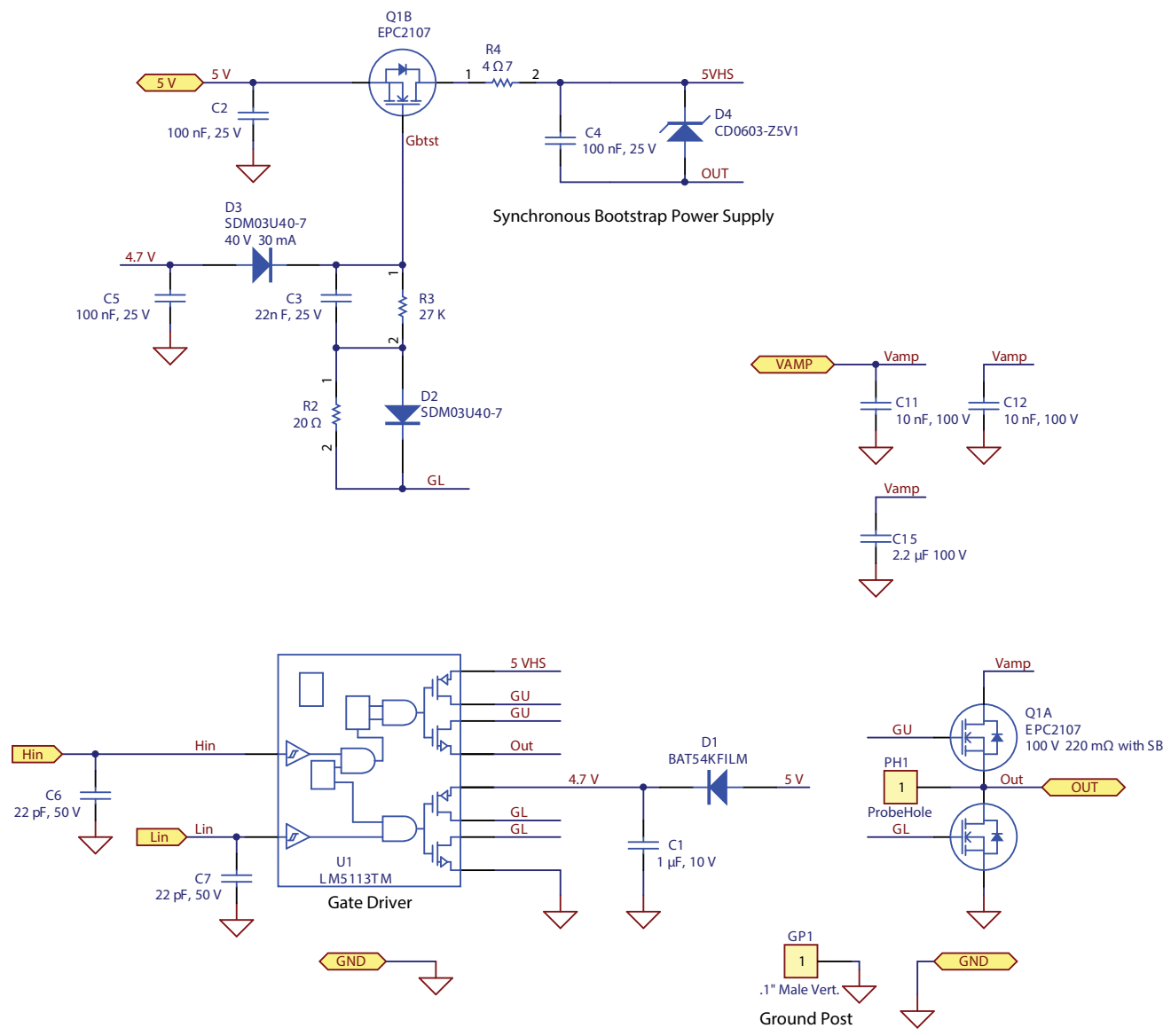


Figure 12: EPC9510- Gate driver and power devices schematic

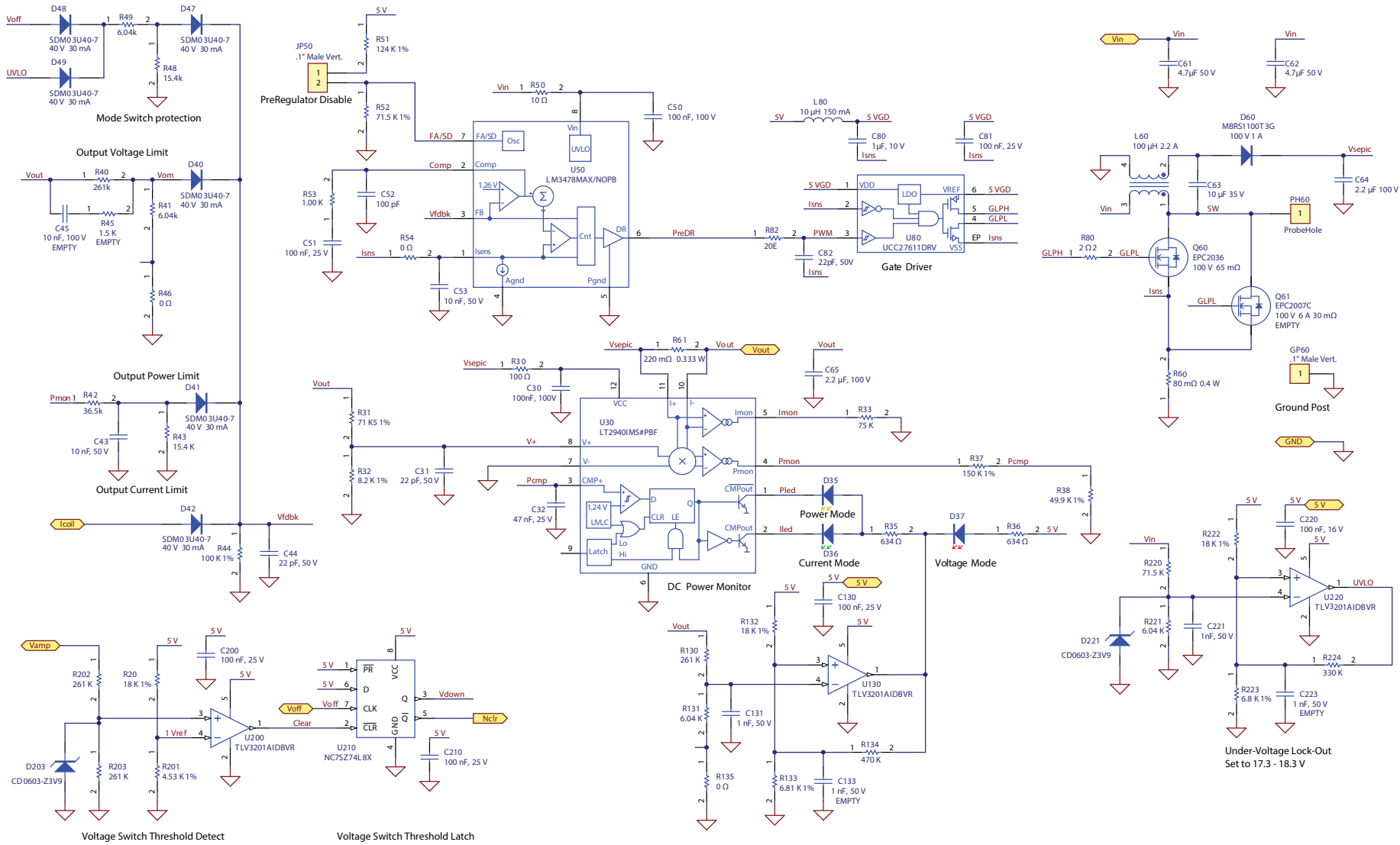


Figure 13: Pre-regulator schematic

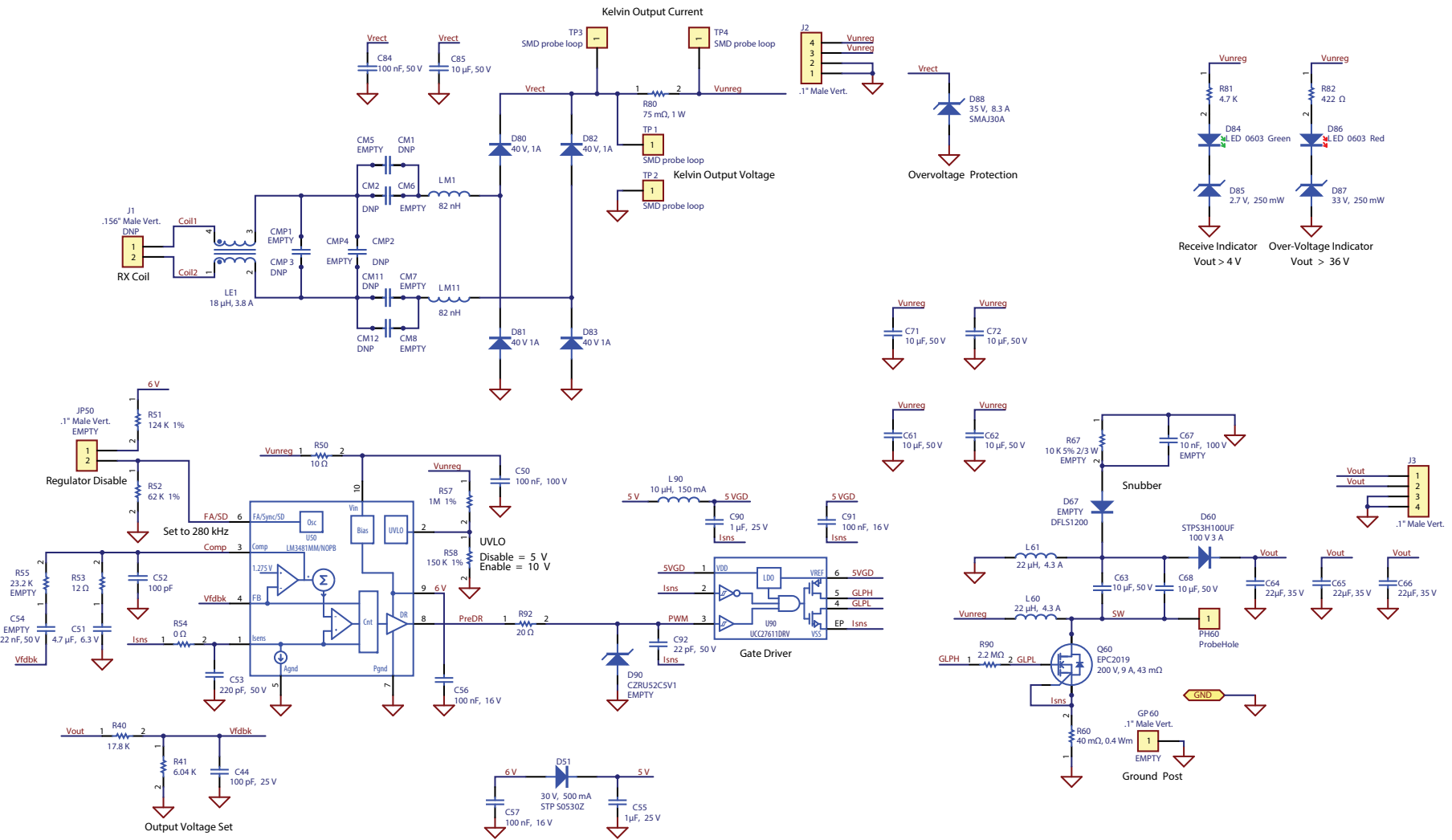


Figure 14: Category 3 device board schematic