

Figure 17: EPC9143 Controller schematic

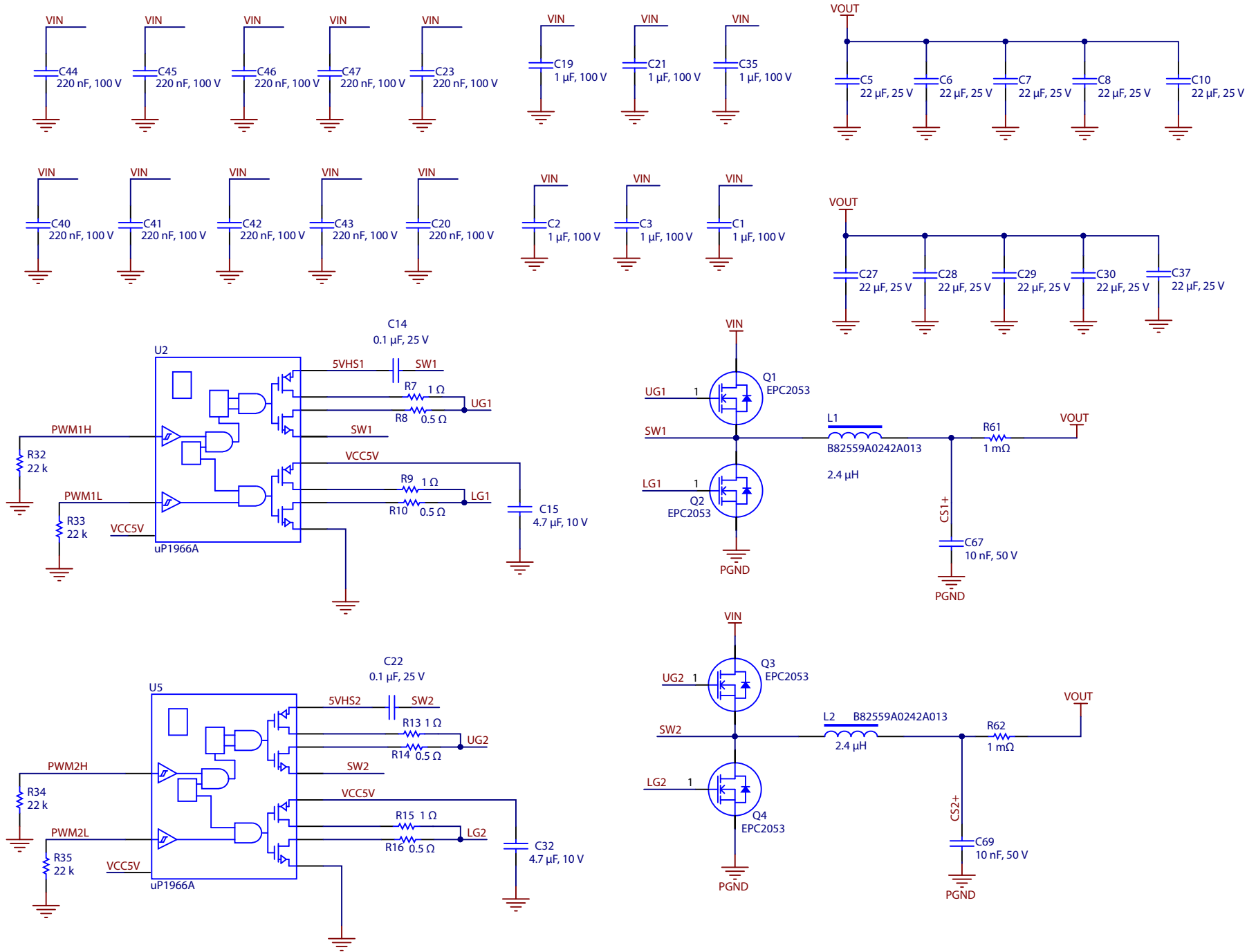


Figure 18: EPC9143 Power Stage schematic