

Figure 7: Schematic EPC9144 (part1)

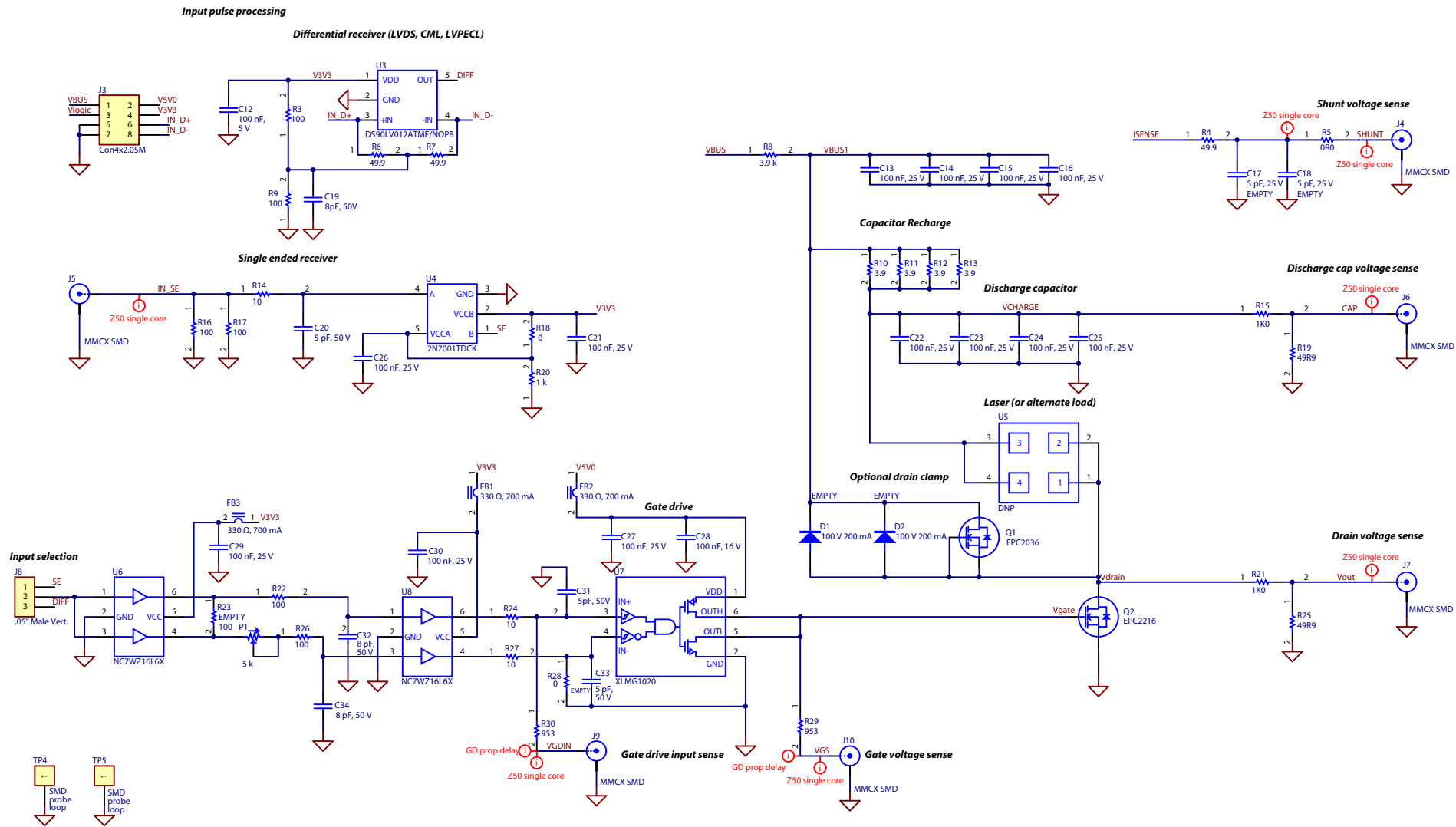


Figure 8: Schematic EPC9144 (part 2)