

Figure 13: EPC9146 main schematic

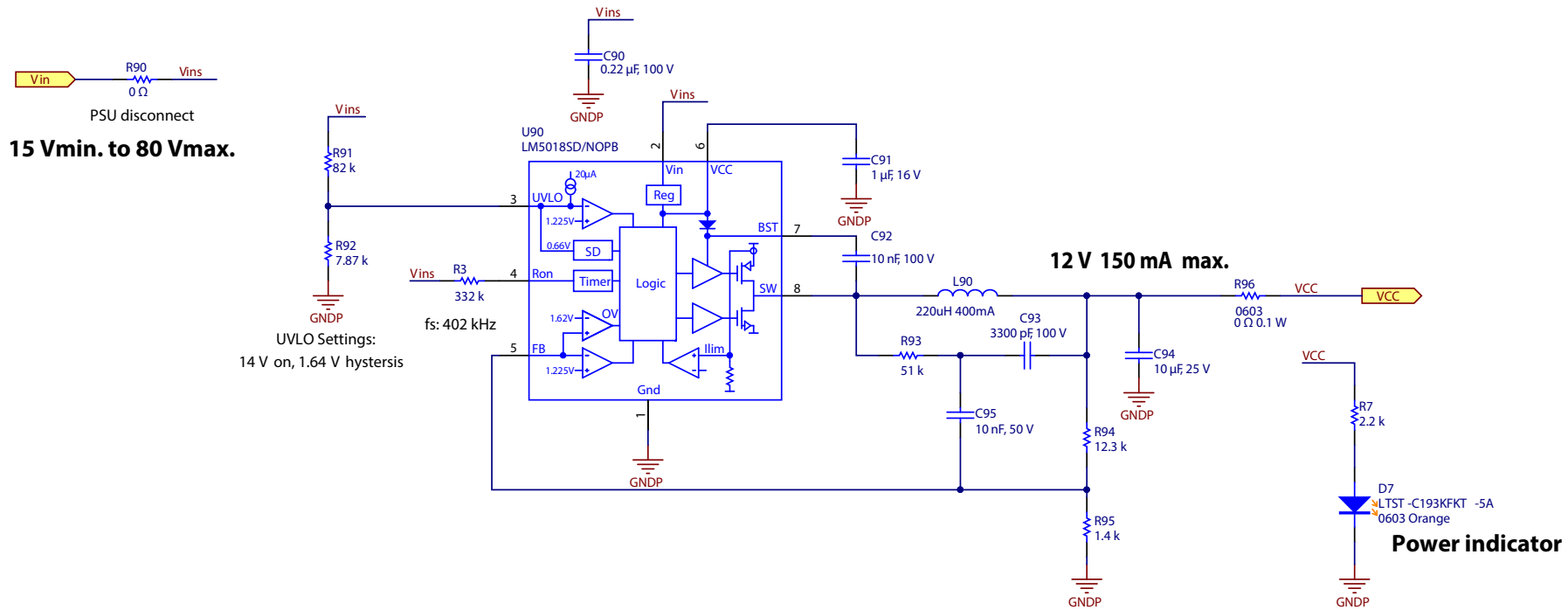


Figure 14: EPC9146 12 V housekeeping power supply schematic

6 Vmin. to 28 Vmax.

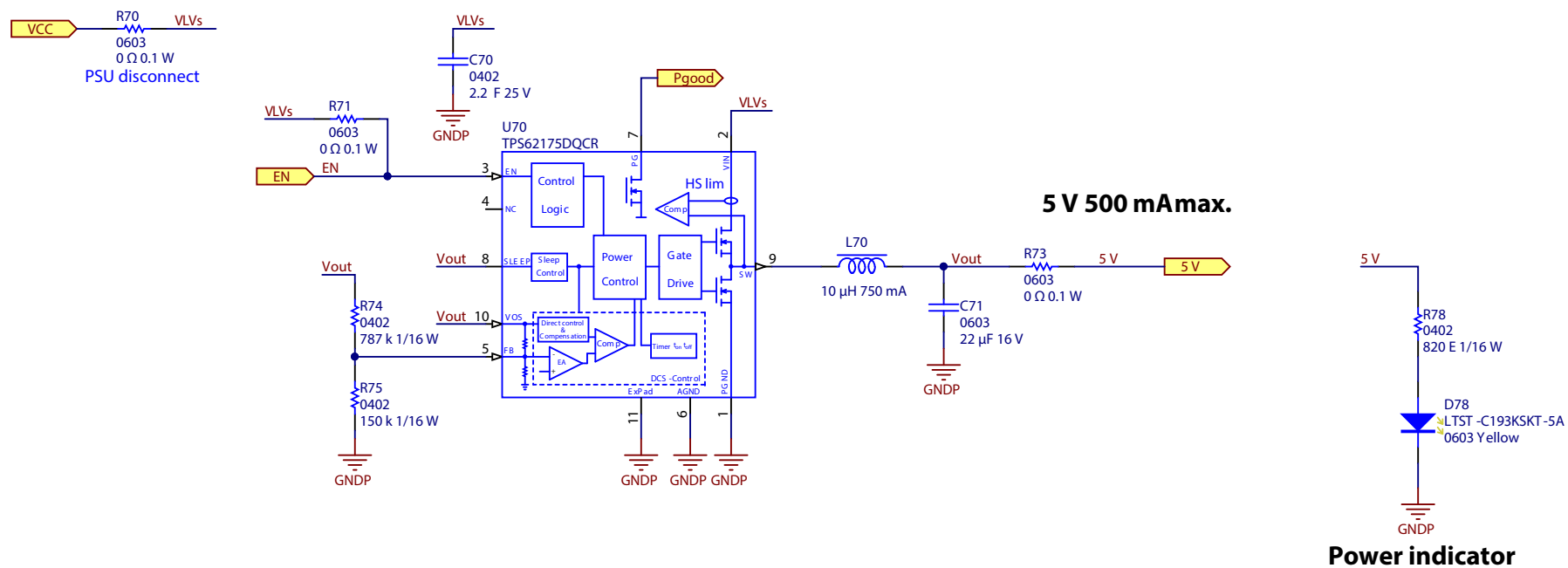


Figure 15: EPC9146 5 V housekeeping power supply schematic

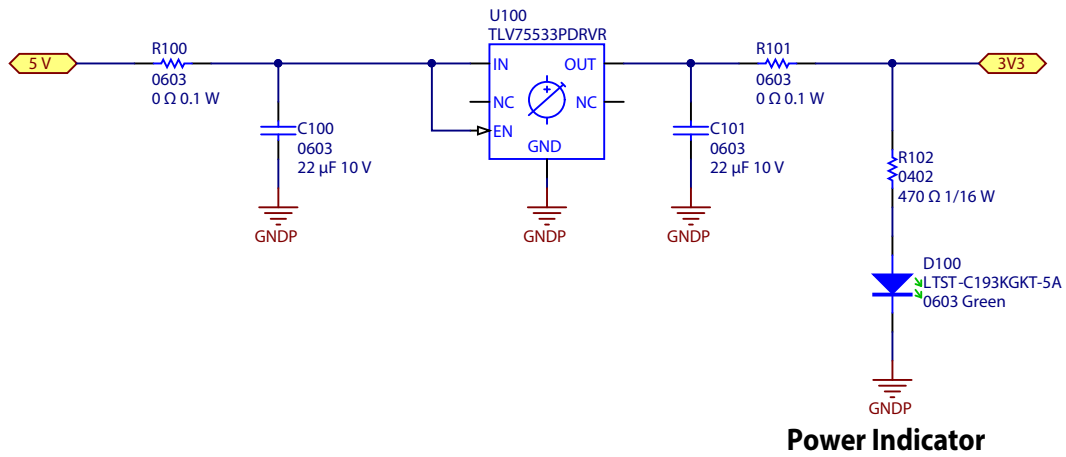


Figure 16: EPC9146 3.3 V housekeeping power supply schematic

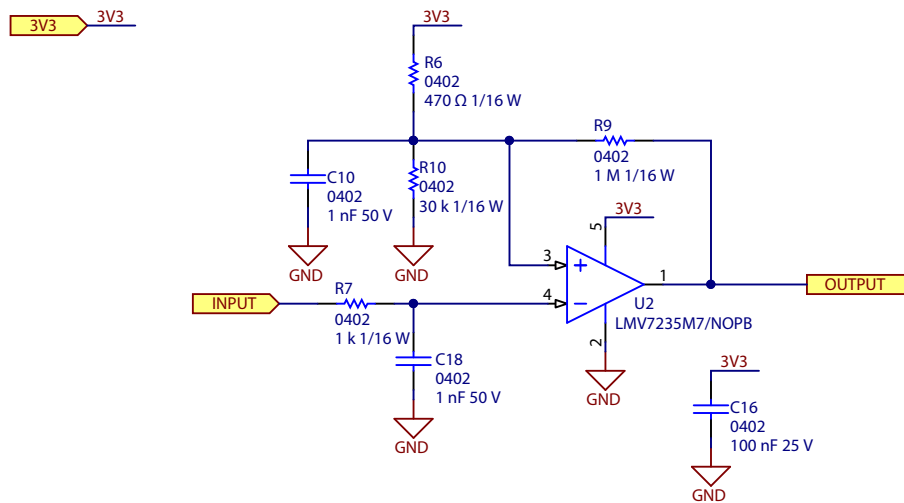


Figure 17: EPC9146 Over-current detect schematic

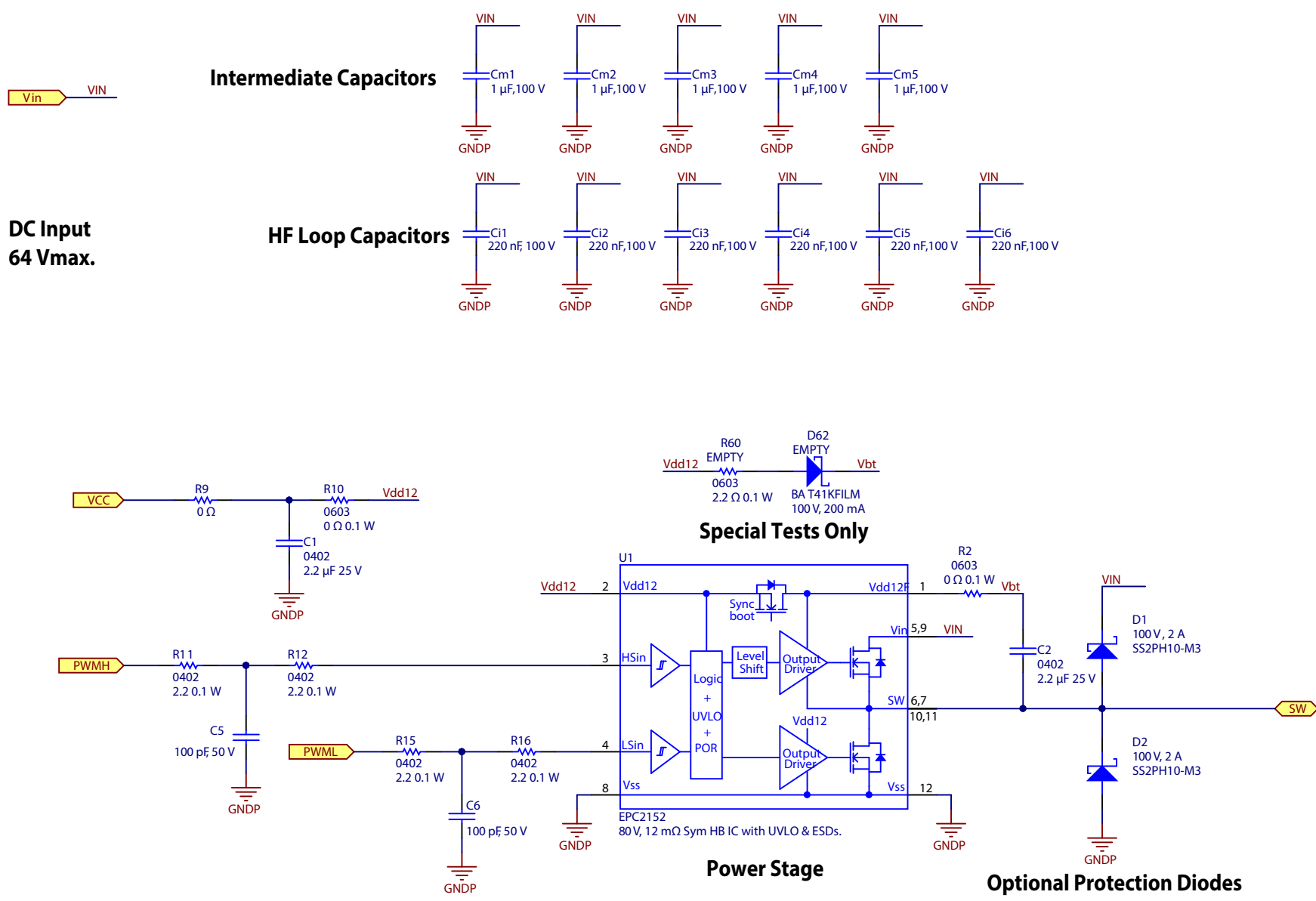
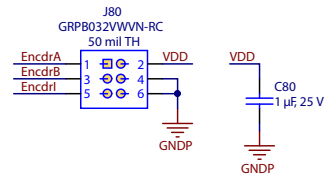
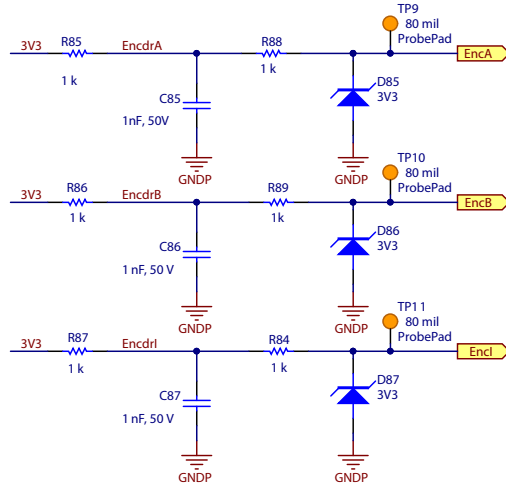
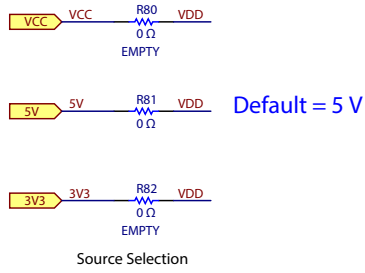


Figure 18: EPC2152 Phase-Leg schematic



Shaft encoder connection
Quadrature with Index
Supports optical and hall

Figure 19: Shaft-encoder interface schematic

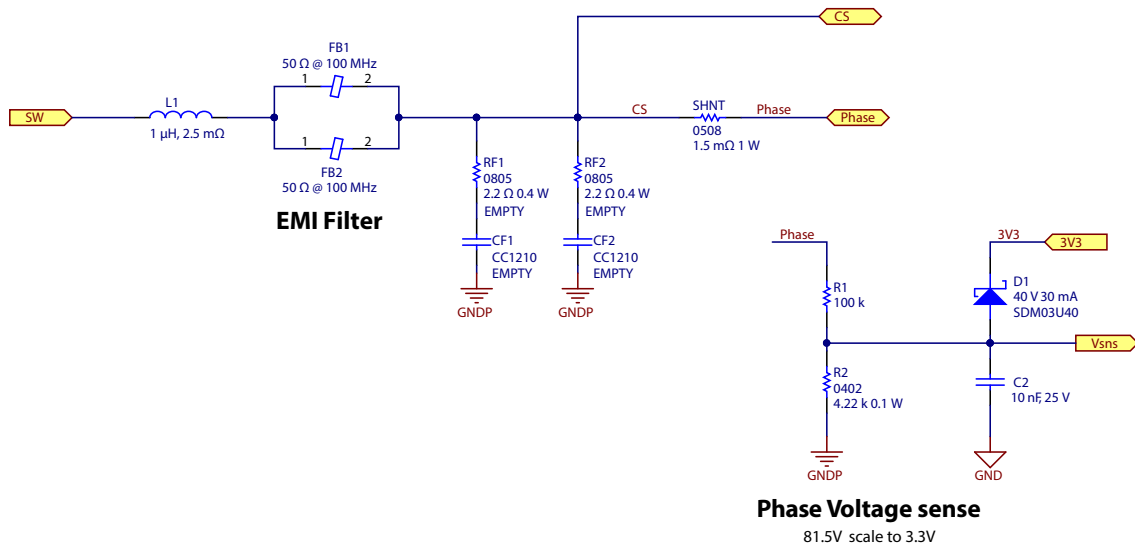


Figure 20: EPC9146 Filter, phase current, and phase voltage sense schematic

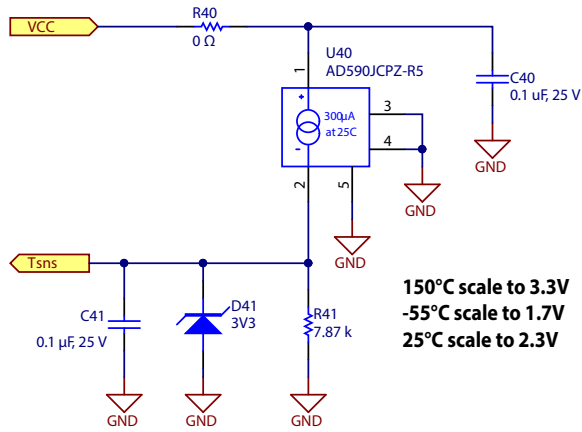


Figure 21: Temperature sensor schematic

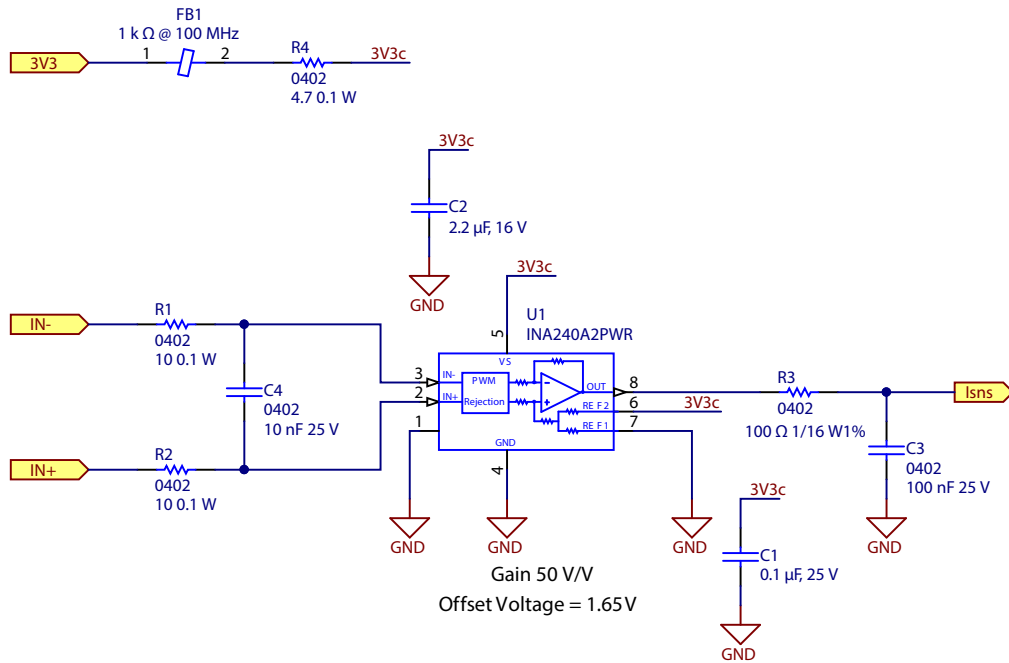
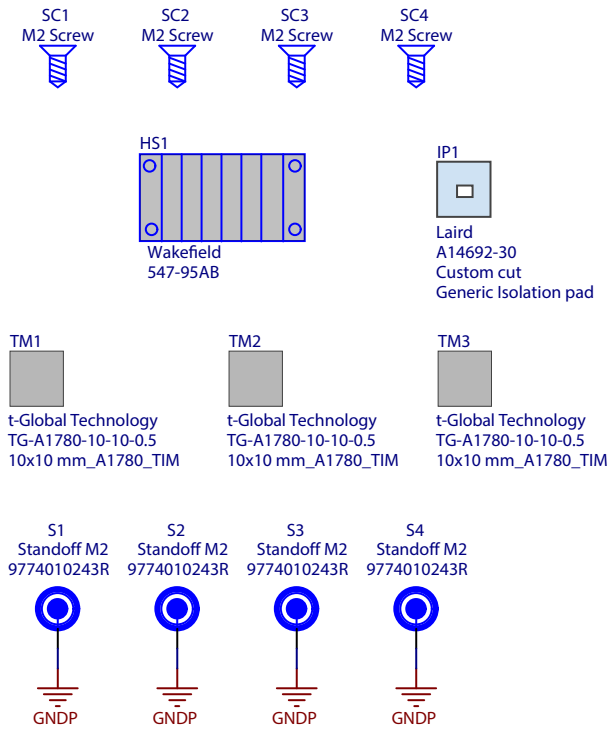


Figure 22: Current sense amplifier schematic



Heatsink Kit

Figure 23: Heatsink kit schematic