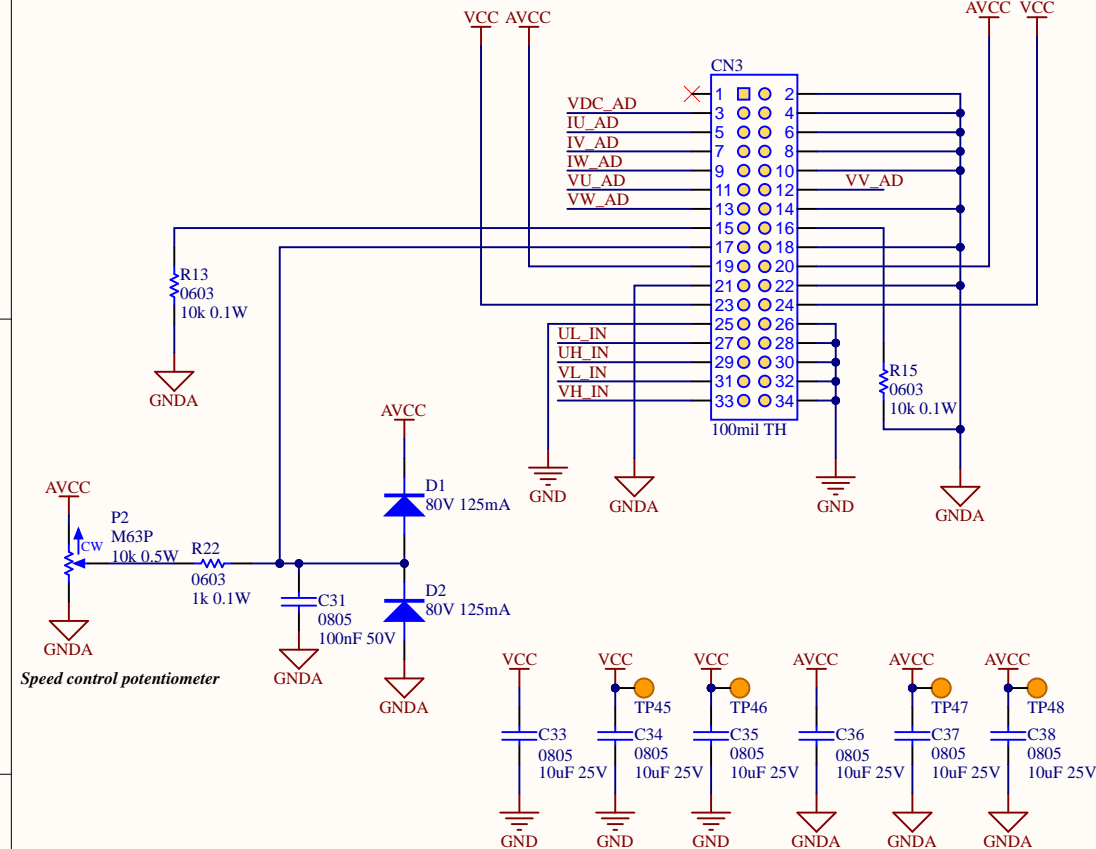
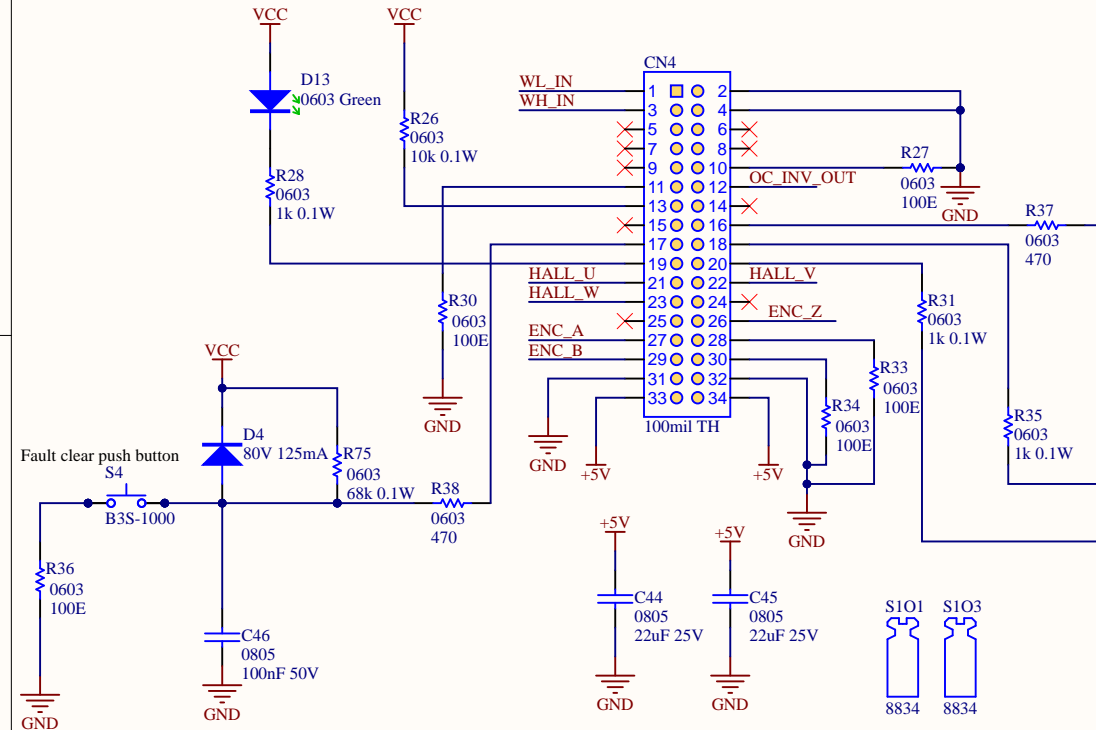


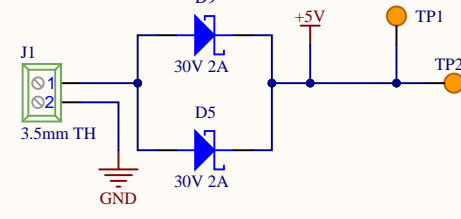
3.3V, AVCC, and VCC are supplied by control board



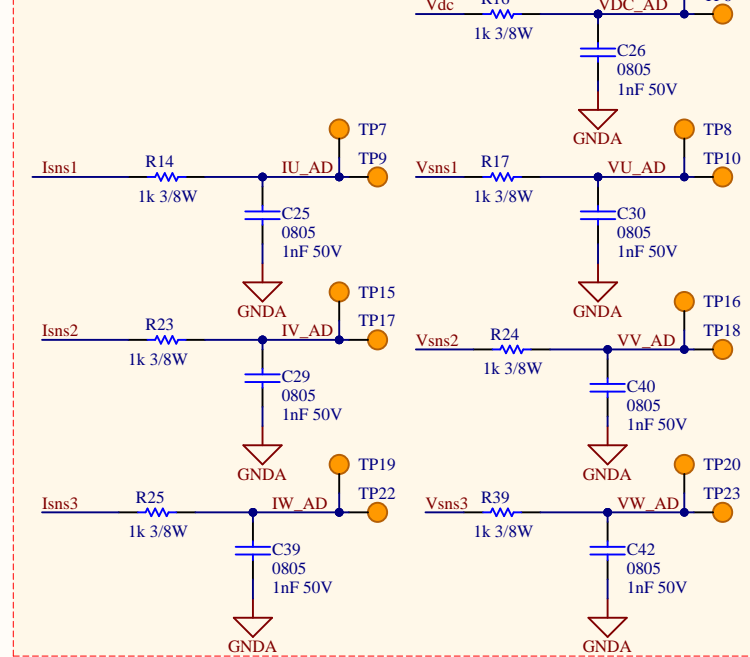
Renesas control board interface Connectors



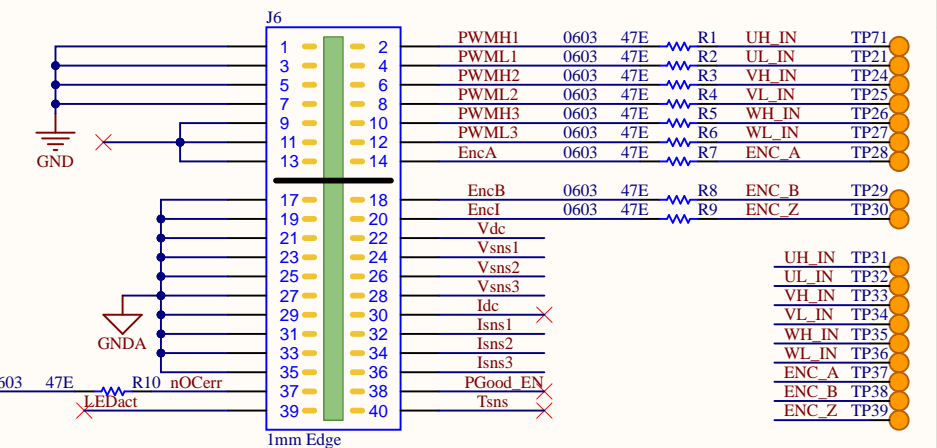
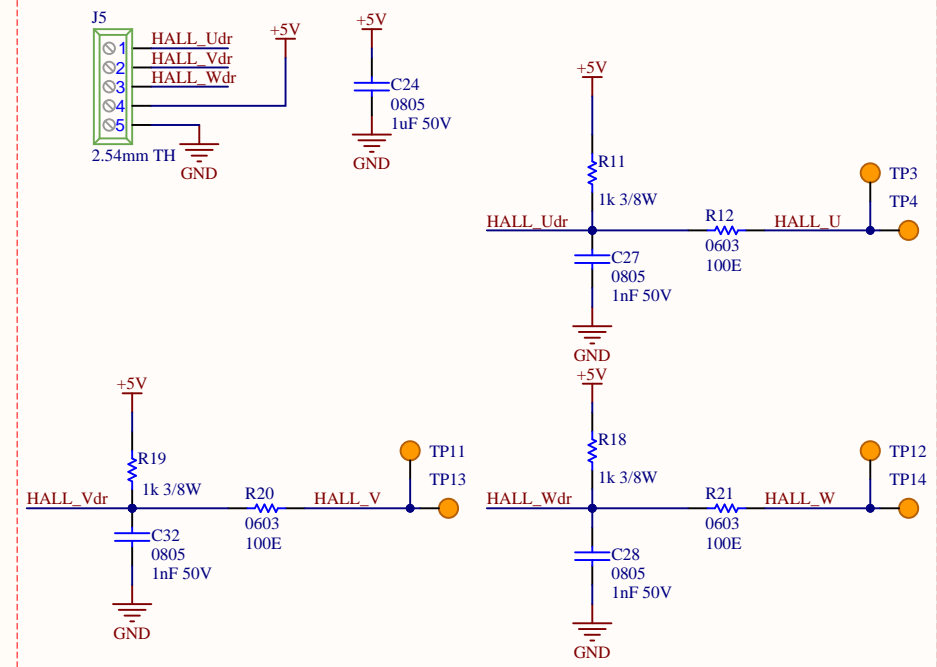
External 5 V power supply



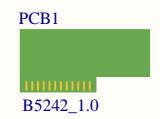
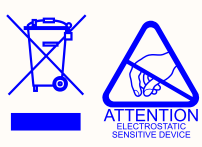
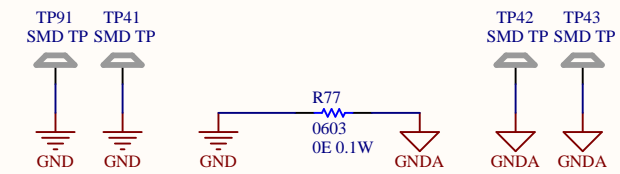
Current and Voltage sense filters



Hall sensors interface



Motor Drive Interface Connector



For evaluation only;
not FCC approved for resale

Title: Evaluation Schematic		© EPC 2023
Design #: EPC9147D	PCB #: B5242	Efficient Power Conversion
Revision 1.0	Revision: 1.0	909 Pacific Coast Hwy, Ste 230 El Segundo, CA 90245 U.S.A.
Date: 06/11/2023	Sheet 1 of 1	
File: EPC9147D.SCHDOC		www.epc-co.com