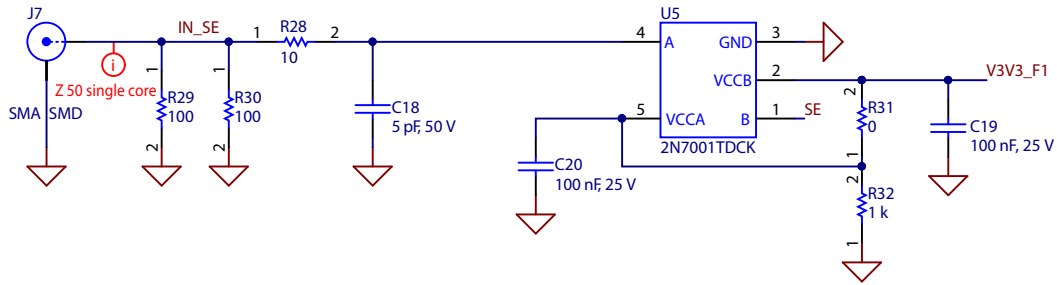


Figure 7: EPC9150 schematic

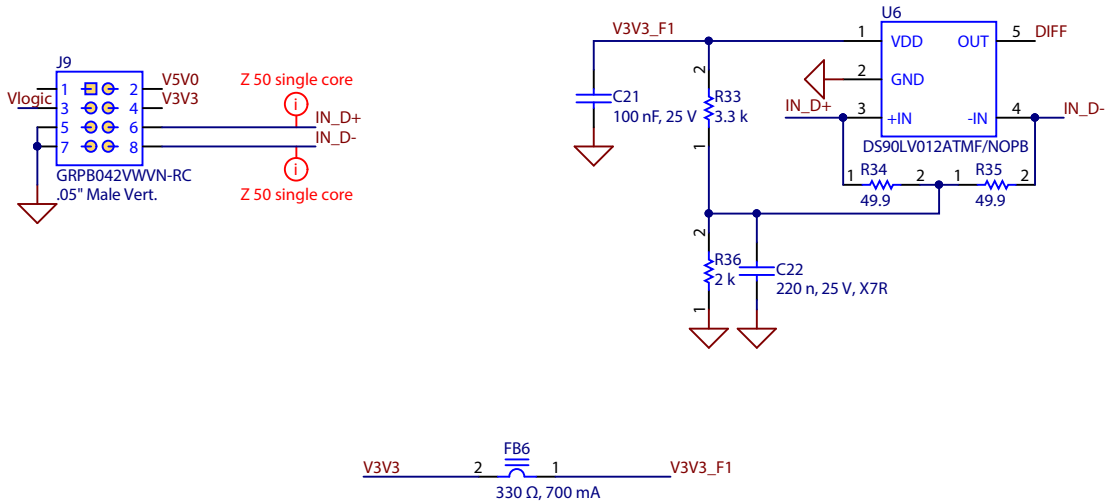
NOTE: The EPC9150 demonstration board does not have any current or thermal protection on board.

Input pulse processing

Single ended receiver



Differential receiver (LVDS, CML, LVPECL)



INPUT SELECT

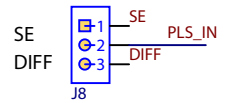


Figure 8.

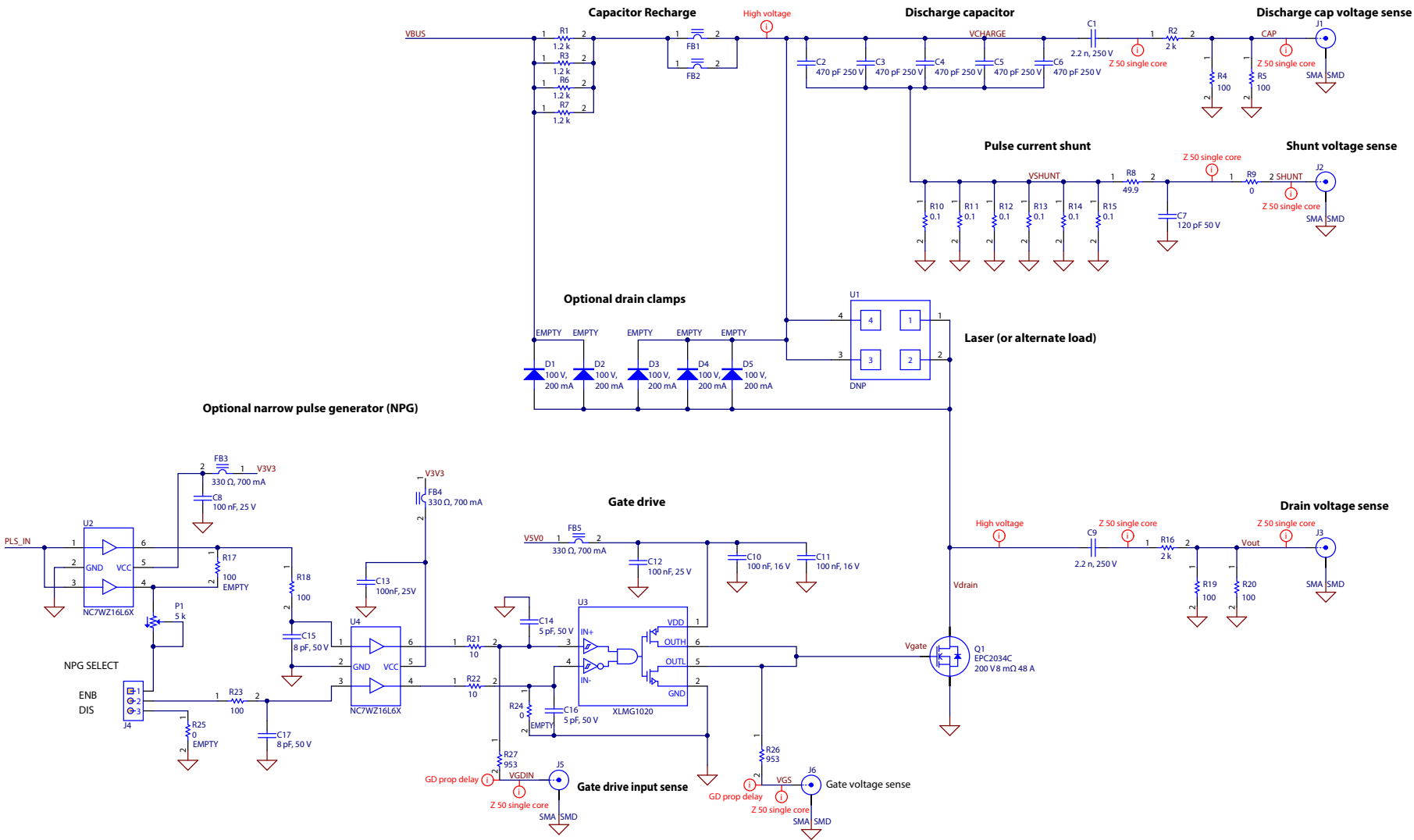


Figure 9.