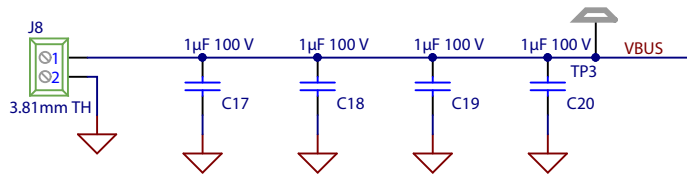


Main Supply Input



Logic Supply

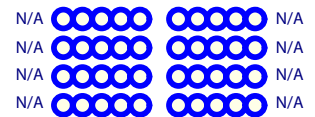
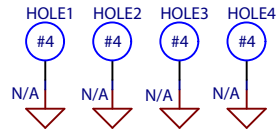
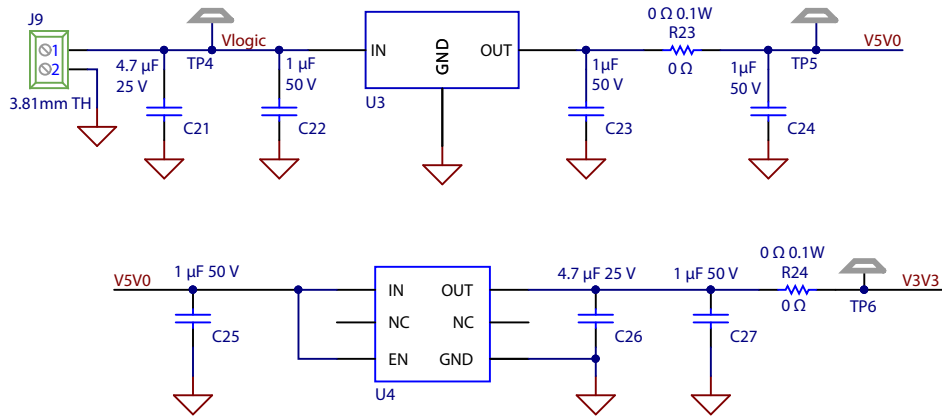


Figure 6: Schematic EPC9154 (part1)

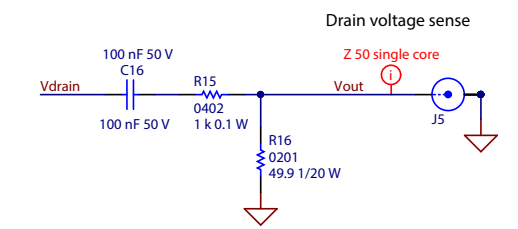
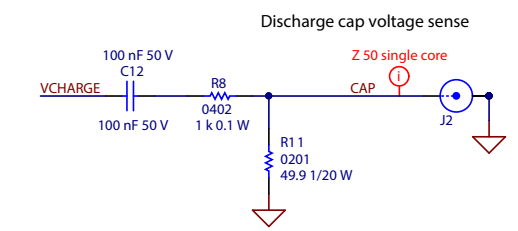
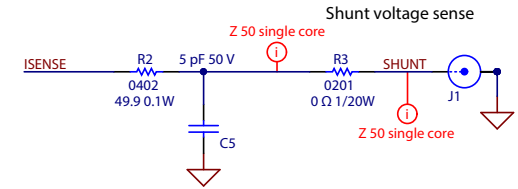
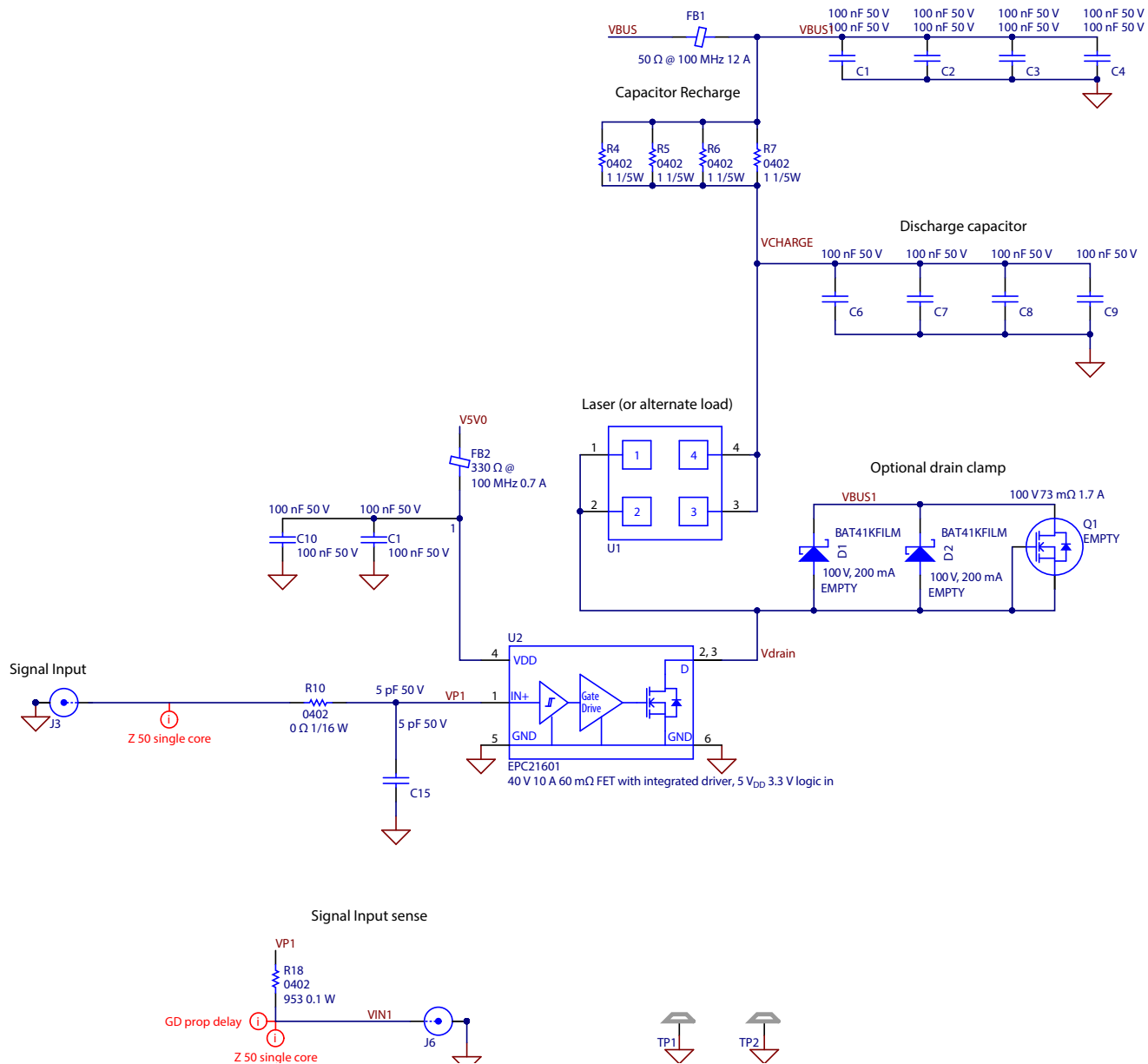


Figure 7: Schematic EPC9154 (part 2)