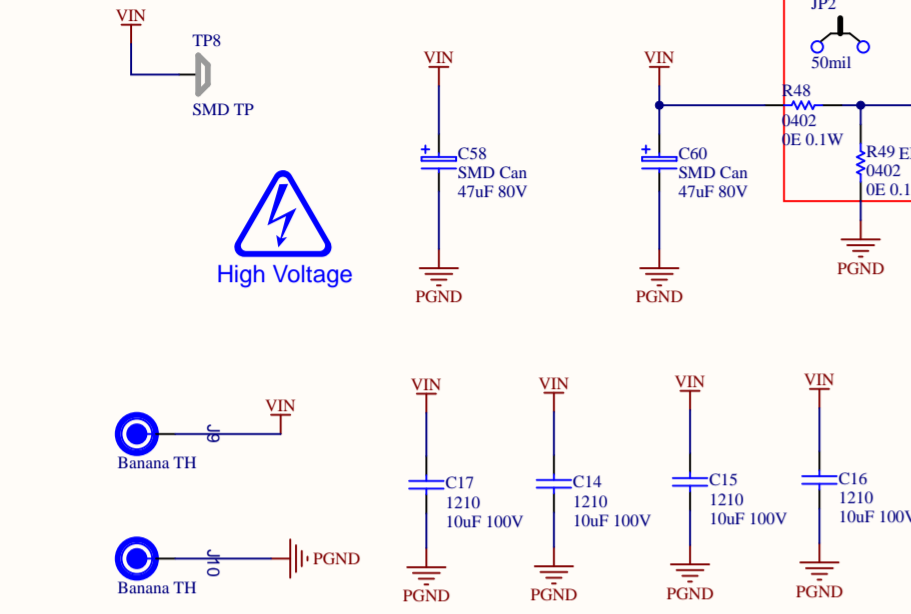
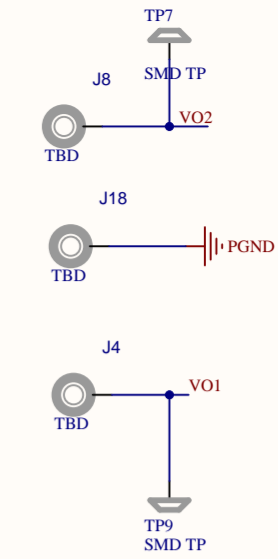


**RUN1 Selector**  
 1-2: Enable (default)  
 2-3: Disable

**VCC Selector**  
 R46: ExtVCC=Vo1 (default)  
 R47: IntVCC

**Test Points**

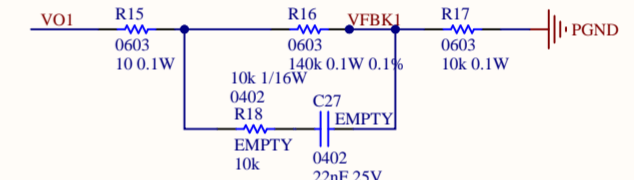


- 1-2: zero deadtime
- 3-4: User defined (default)
- 5-6: Adaptive (15ns)

**Deadtime Control (A for rising, B for falling)**

**ILIM Selector**  
 1-2: 75 mV (default)  
 2-3: 25 mV  
 Open: 50 mV

**Feedback**  
 12V: R16=140k, R17=10k (default)  
 20V: R16=240k, R17=10k



**MODE Selector**

- 1-2: CCM
- 3-4: Pulse Skip (default)
- 5-6: Burst Mode

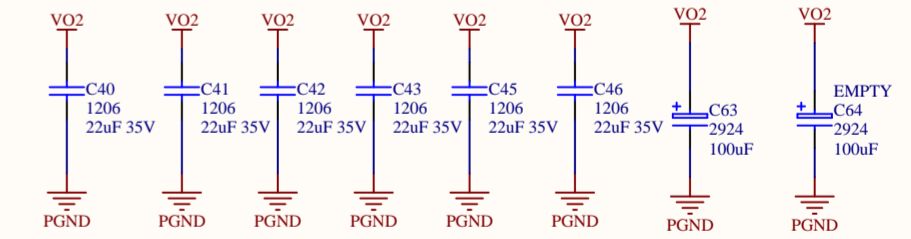
**PLLIN Option**

- R23: External Clock
- R22: Spectrum Spread
- R39: Internal Clock (default)

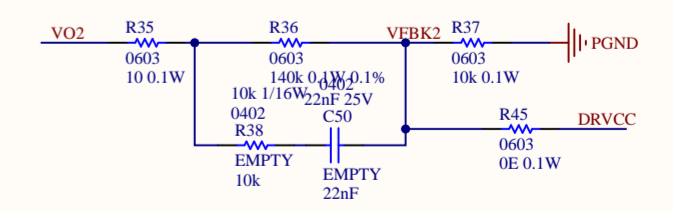
**RUN2 Selector**

- 1-2: Enable (default)
- 2-3: Disable

**Test Points**



**Feedback**  
 12V: R36=140k, R37=10k (default)  
 20V: R36=240k, R37=10k



For evaluation only;  
 not FCC approved for resale

eGaN® FET © EPC