

Figure 12: EPC9163 B5284 Rev1.0 main schematic

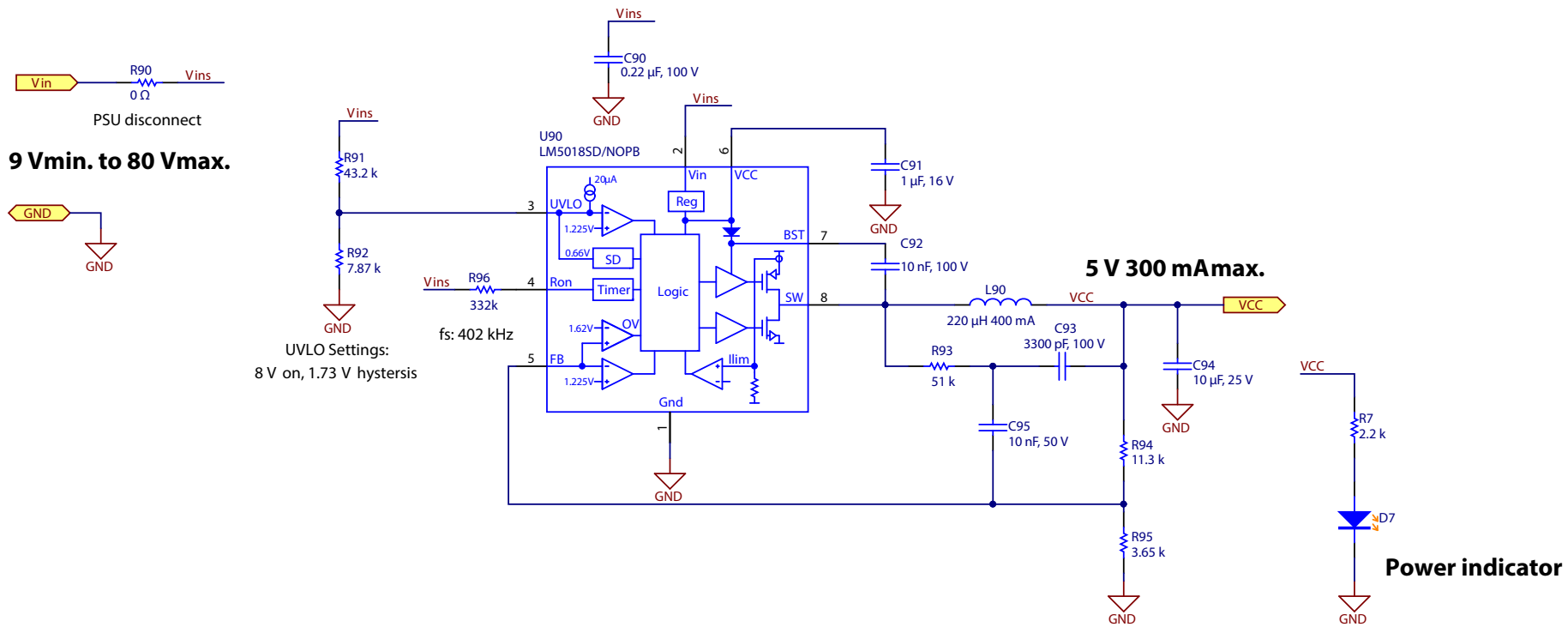


Figure 13: EPC9163 80V to 5V housekeeping power supply schematic

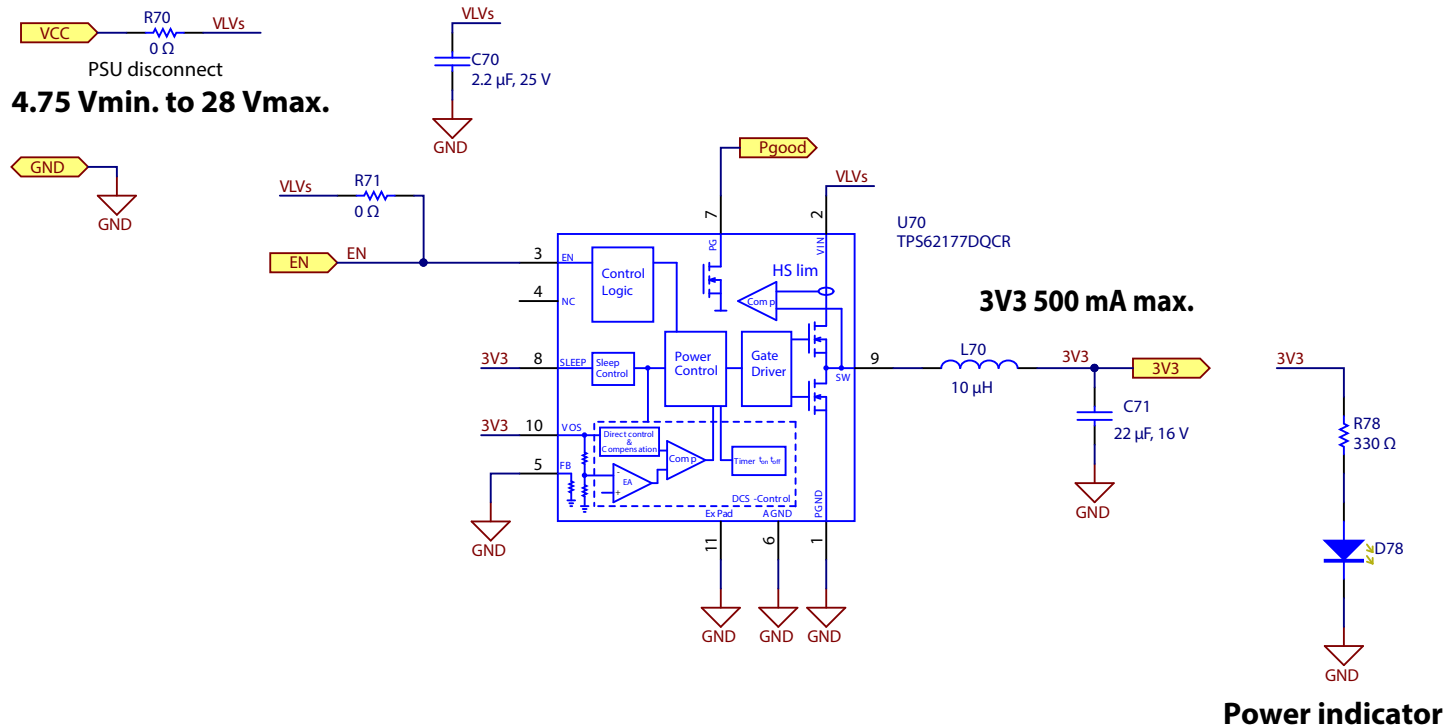
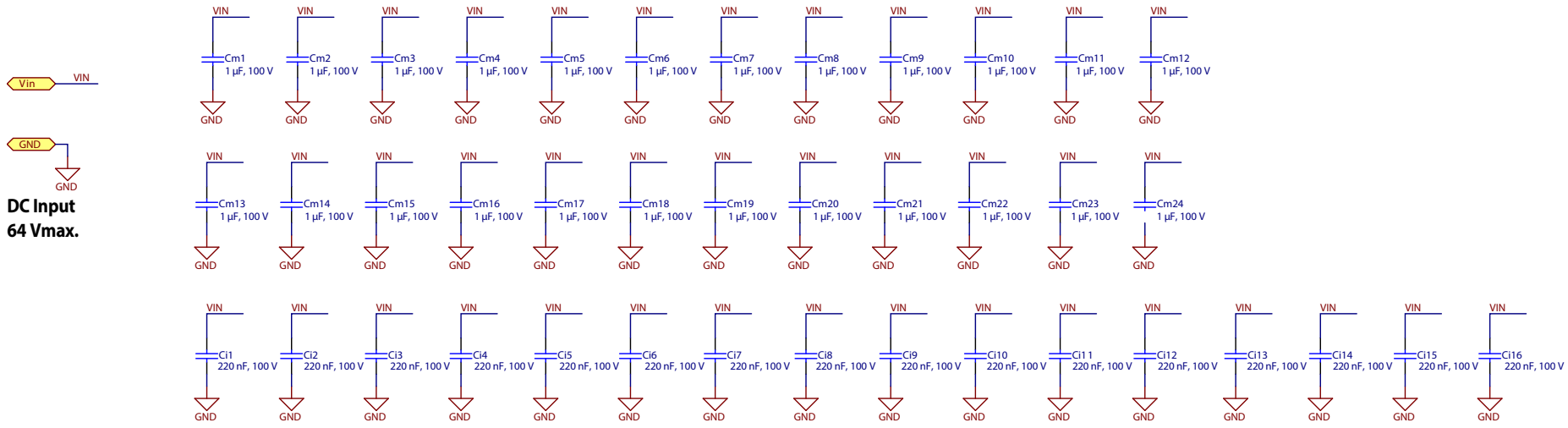


Figure 14: EPC9163 3.3 V housekeeping power supply schematic



VIN  
 GND  
**DC Input**  
**64 Vmax.**

**HF Loop Capacitors**

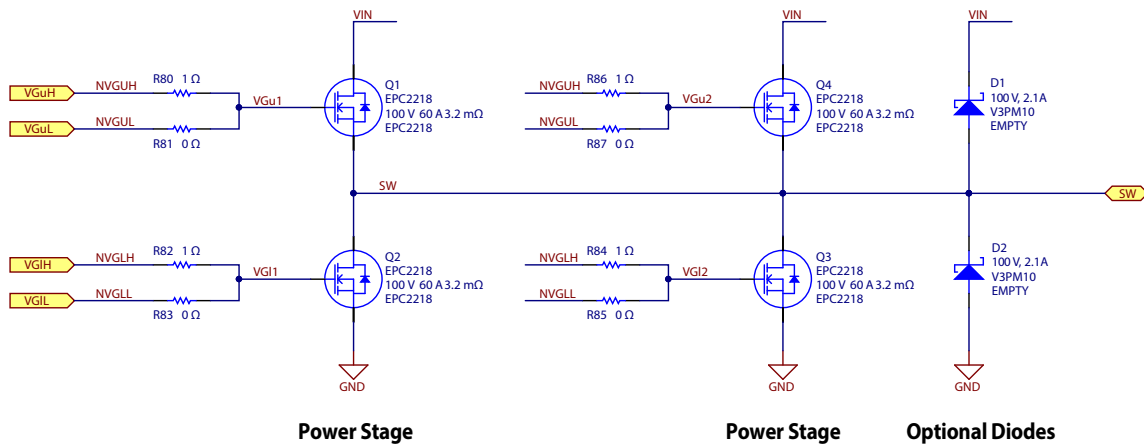


Figure 15: EPC2218 phase-leg schematic

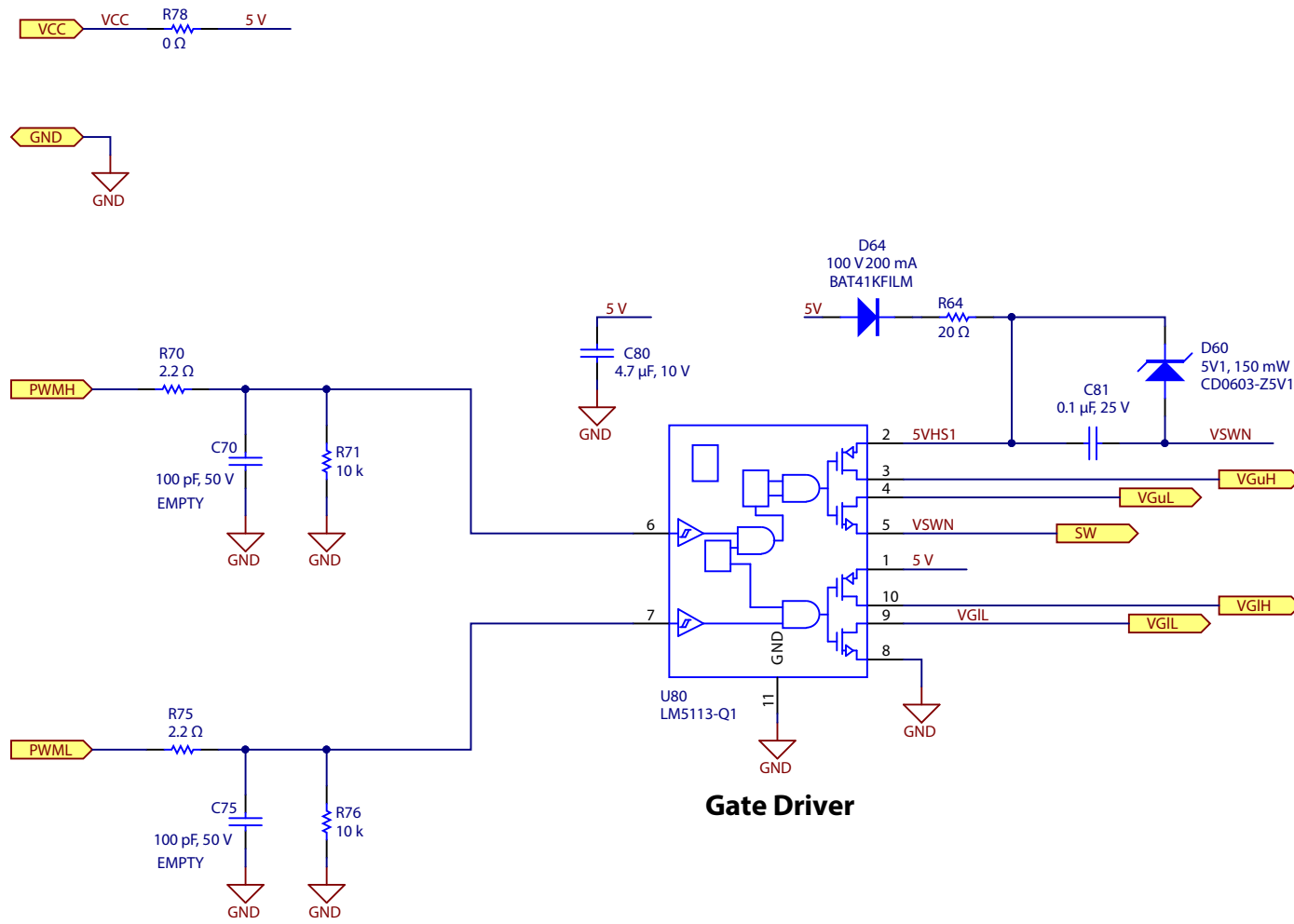


Figure 16: EEPC9163 100 V AEC gate driver schematic

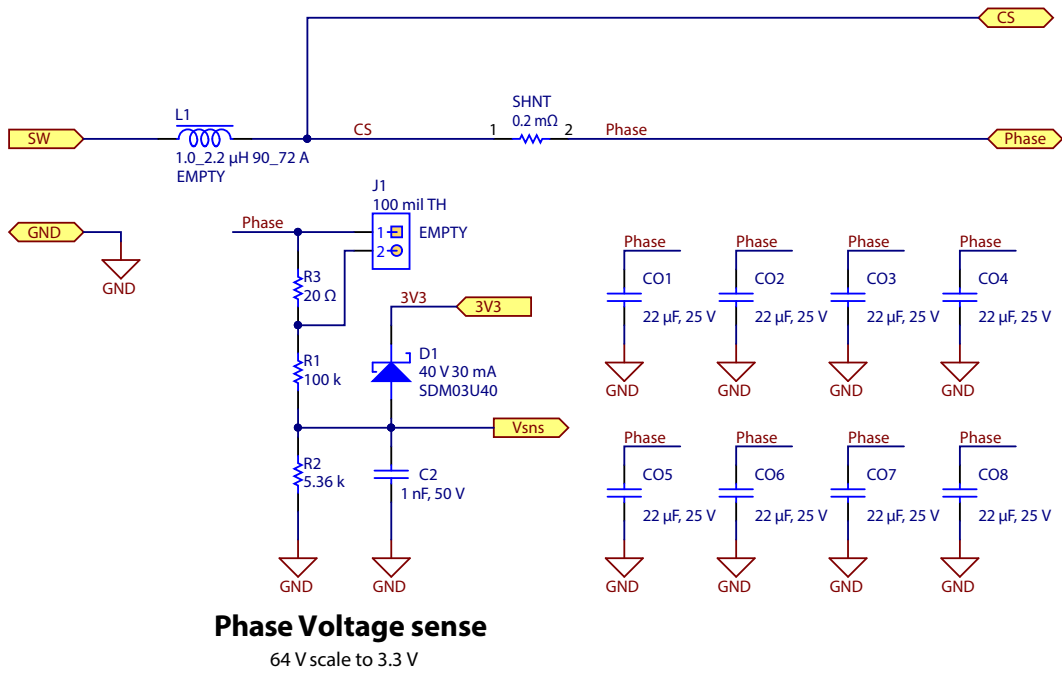


Figure 17: EPC9163 48 V to 12 V AEC high current filter schematic

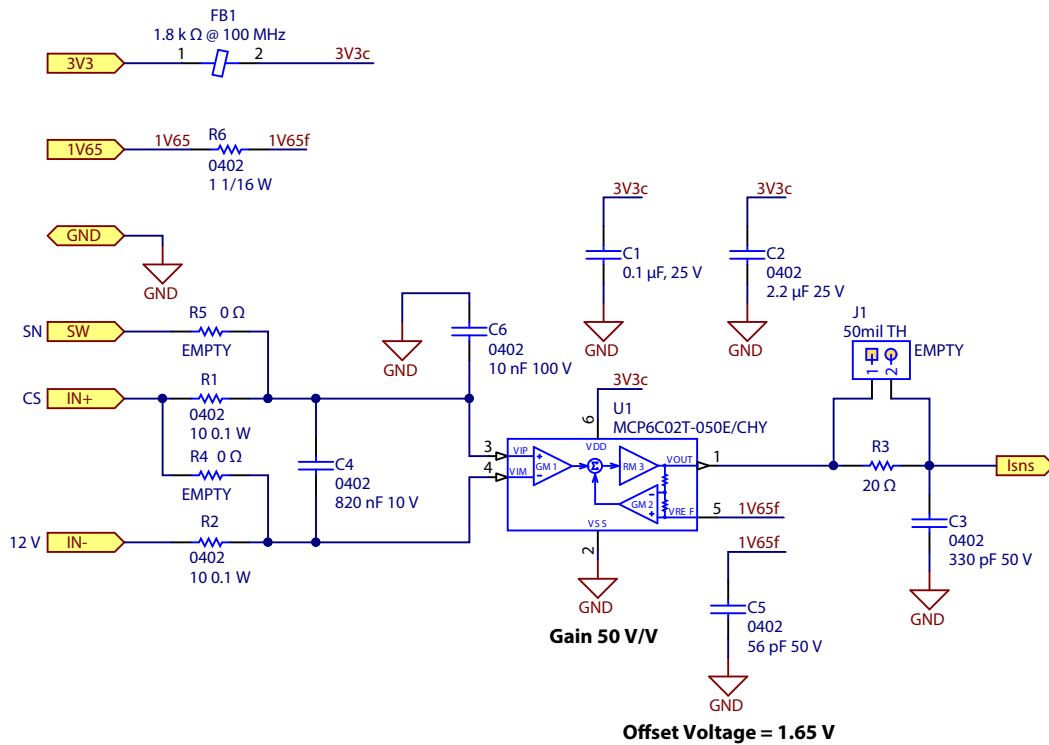


Figure 18: EPC9163 bi-directional current sense amplifier schematic

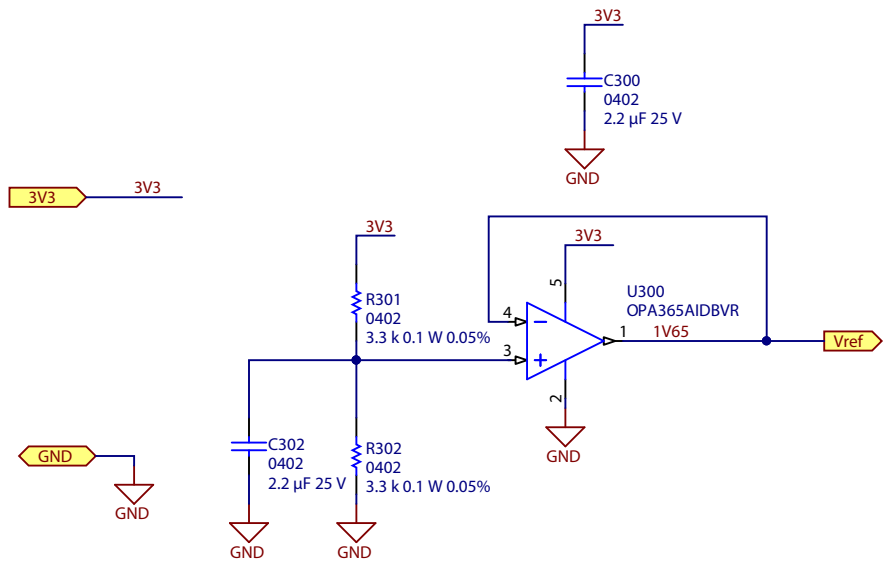


Figure 19: EPC9163 1.65 V reference schematic

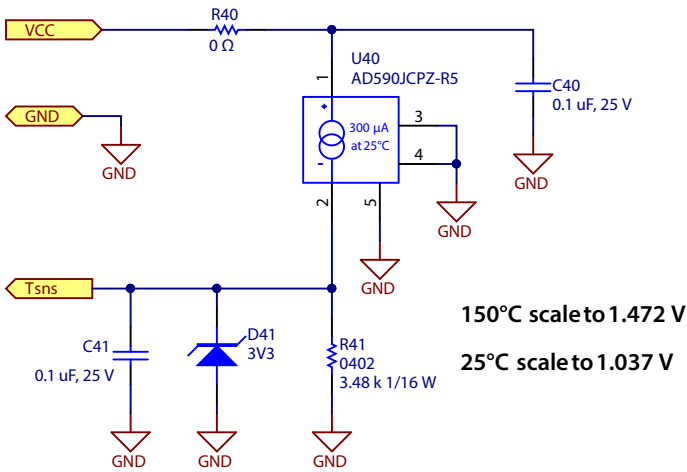


Figure 20: EPC9163 AD590 temperature sense schematic

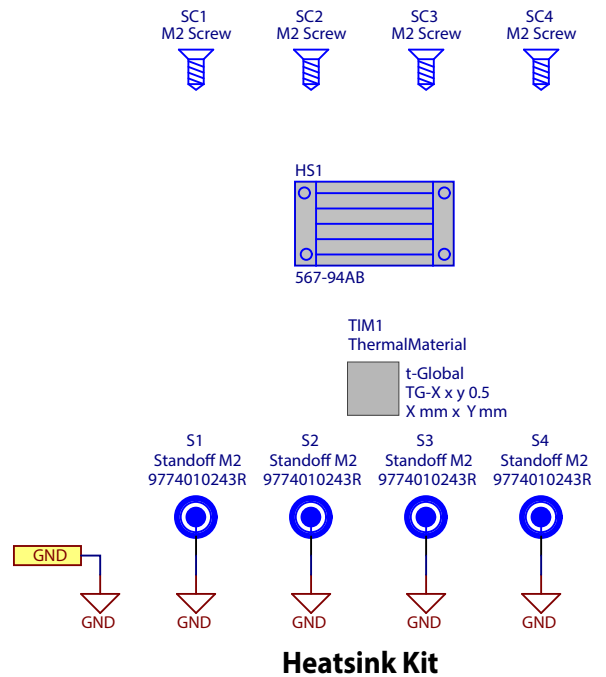


Figure 21: EPC9163 heatsink kit schematic