

Figure 14: EPC9165 80 V to 5 V housekeeping power supply schematic

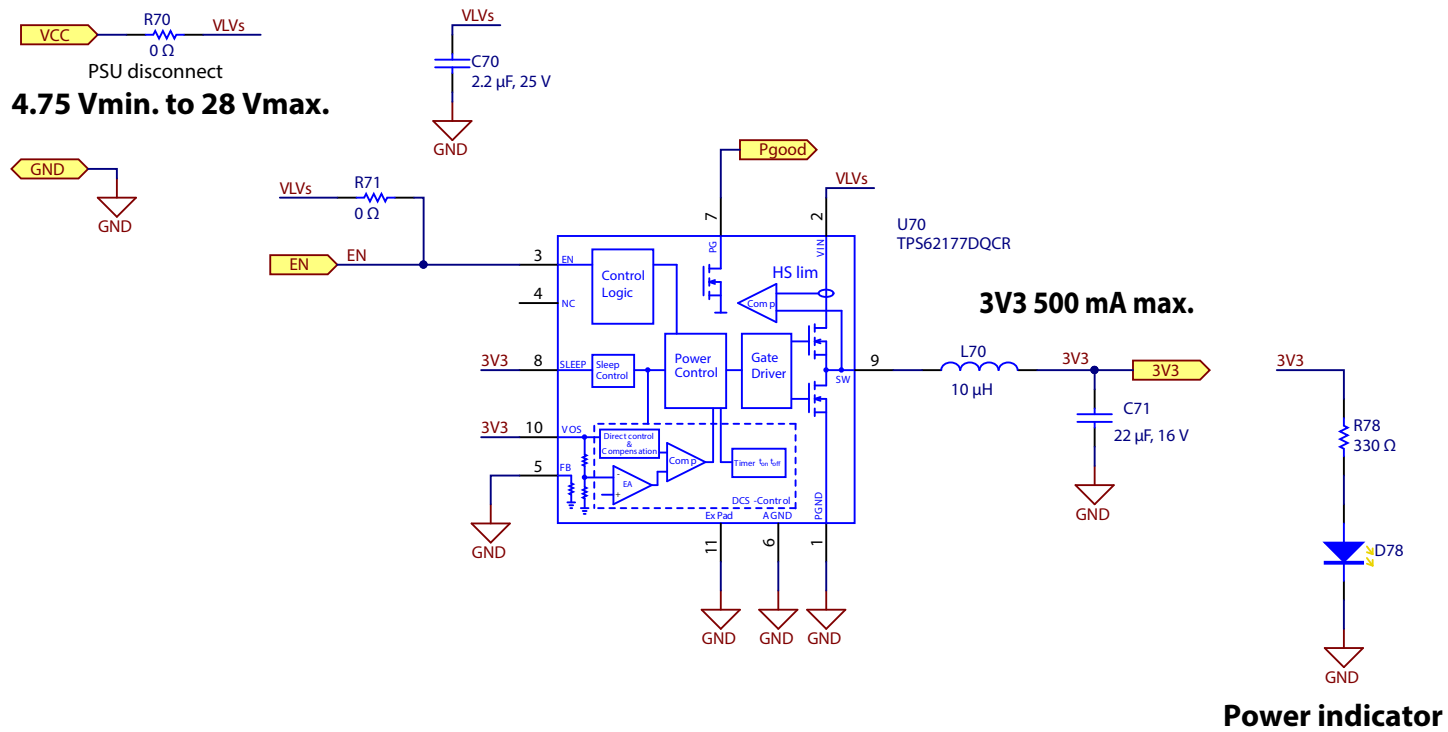
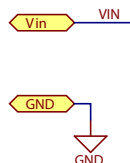
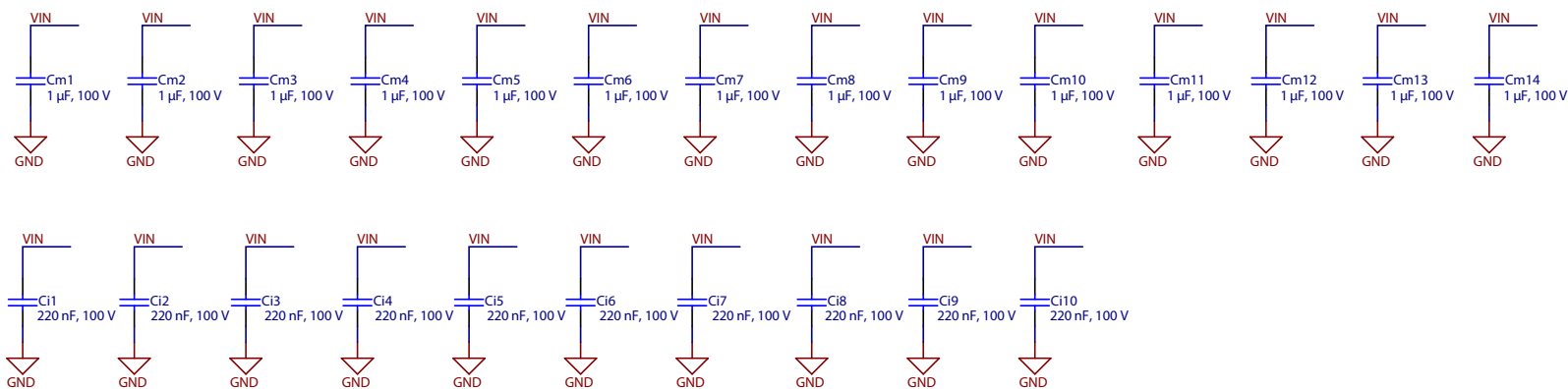


Figure 15: EPC9165 3.3 V housekeeping power supply schematic



DC Input
64 Vmax.



HF Loop Capacitors

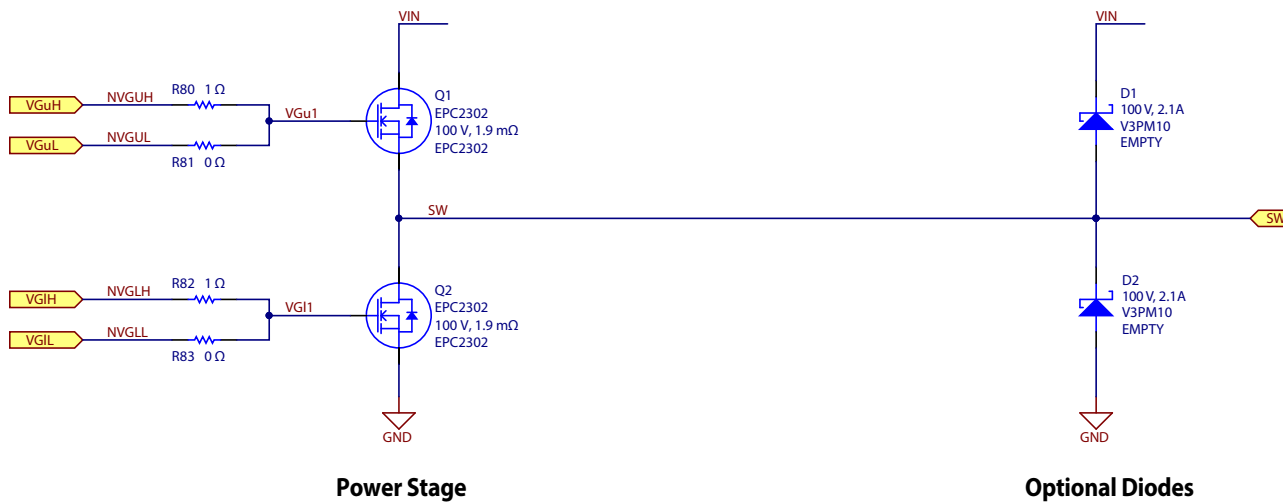


Figure 16: EPC2302 phase-leg schematic

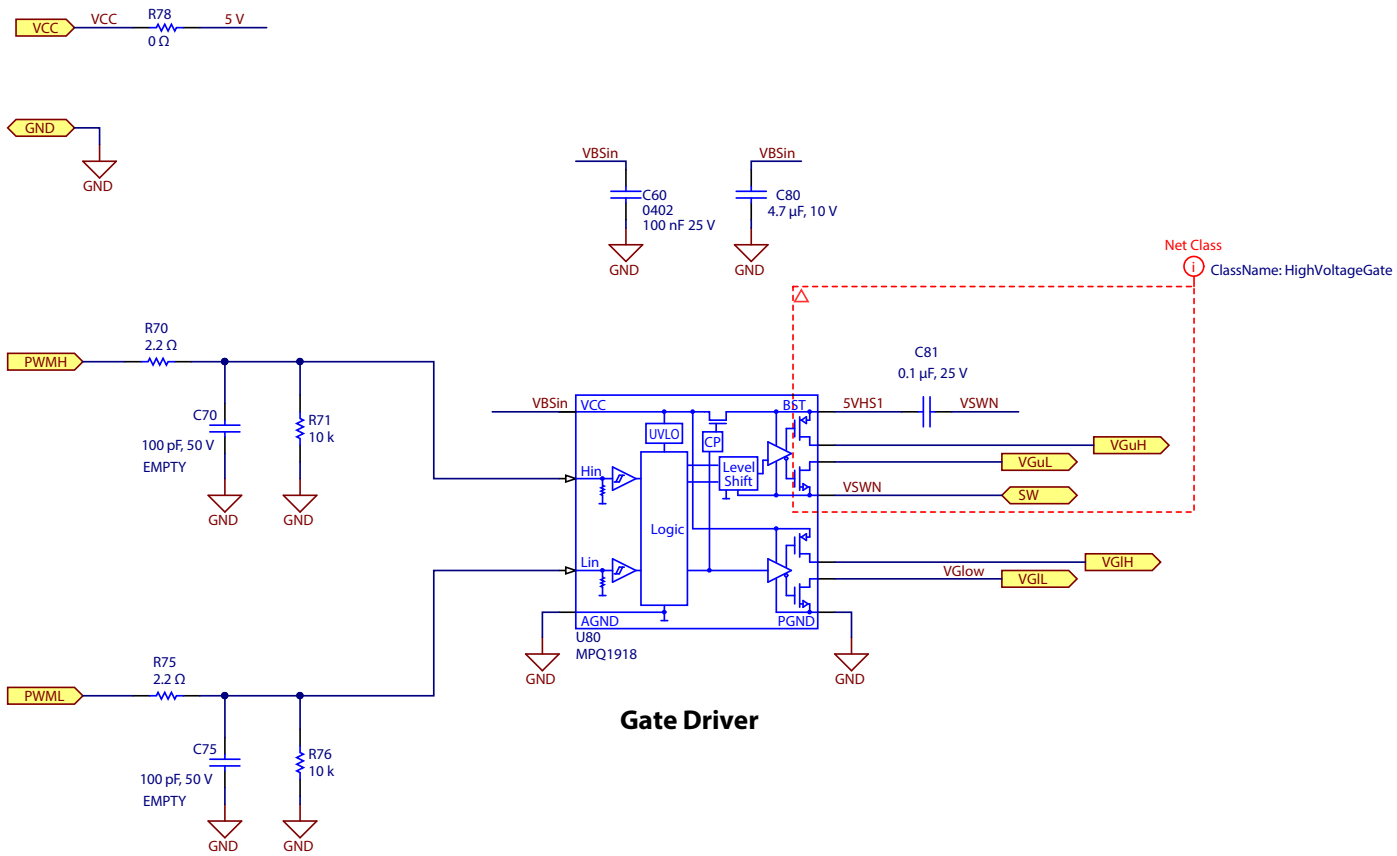


Figure 17: EEPC9165 100 V AEC gate driver schematic

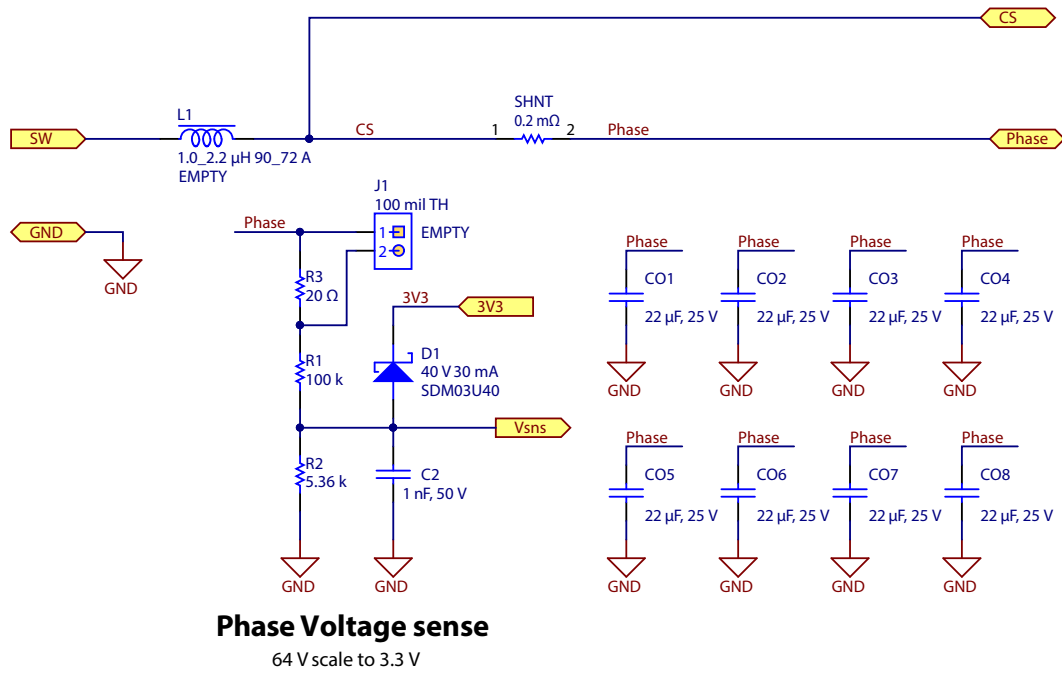


Figure 18: EPC9165 48 V to 12 V AEC high current filter schematic

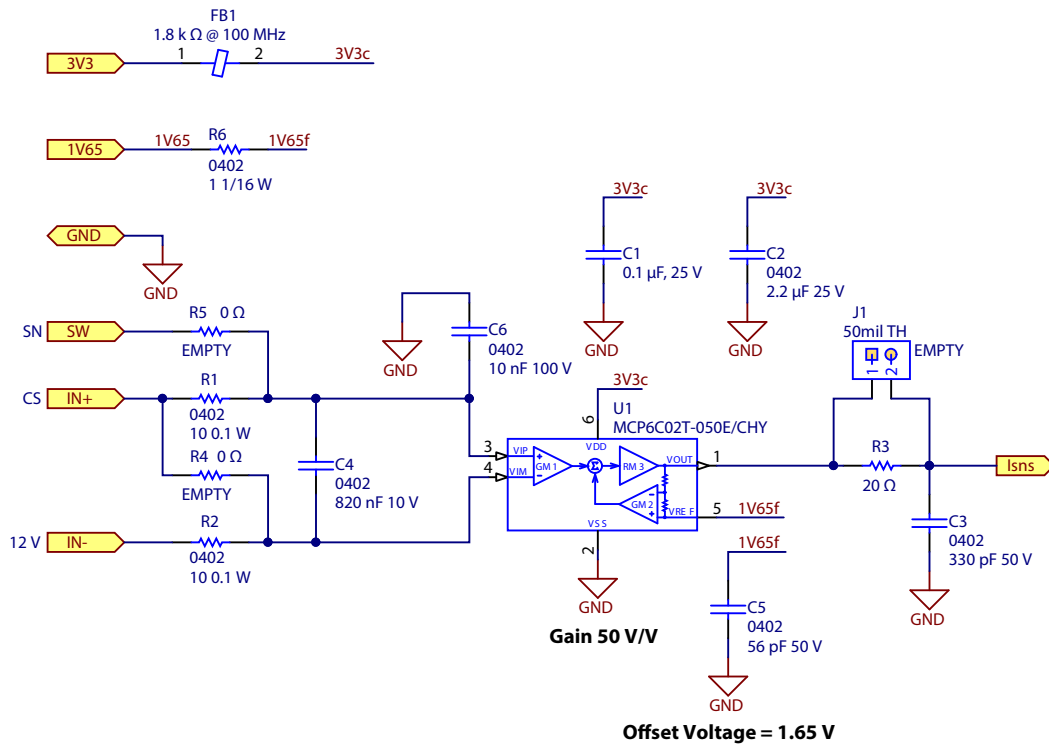


Figure 19: EPC9165 bi-directional current sense amplifier schematic

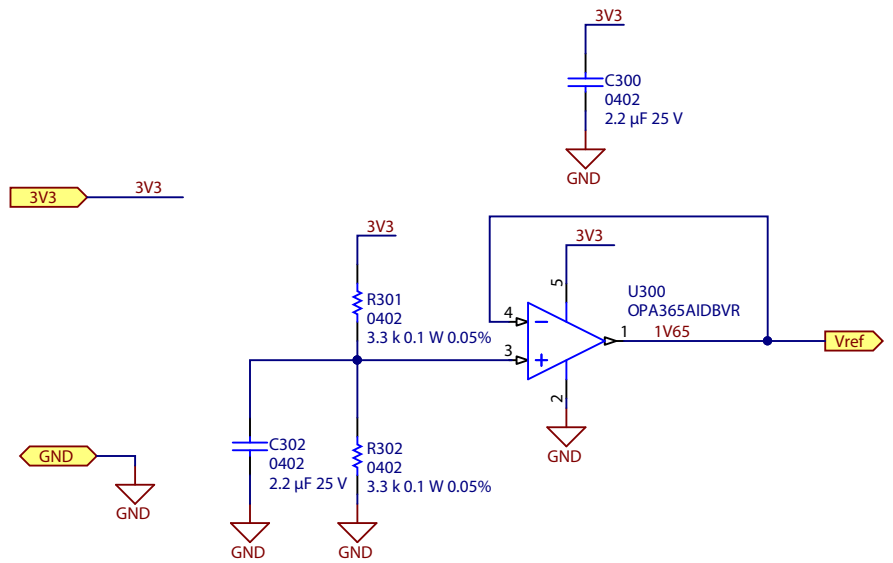


Figure 20: EPC9165 1.65 V reference schematic

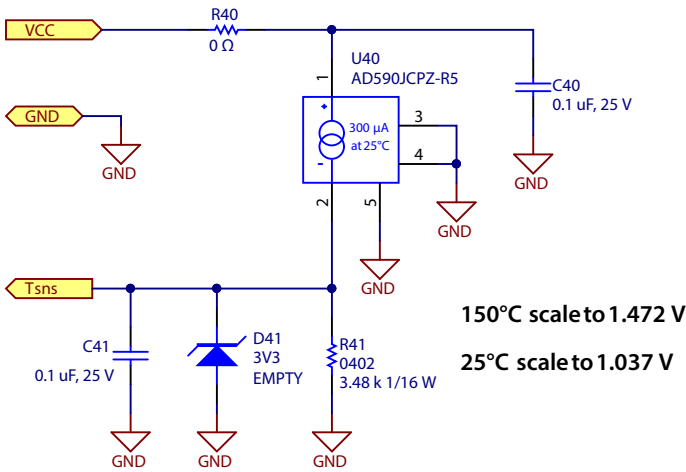


Figure 21: EPC9165 AD590 temperature sense schematic

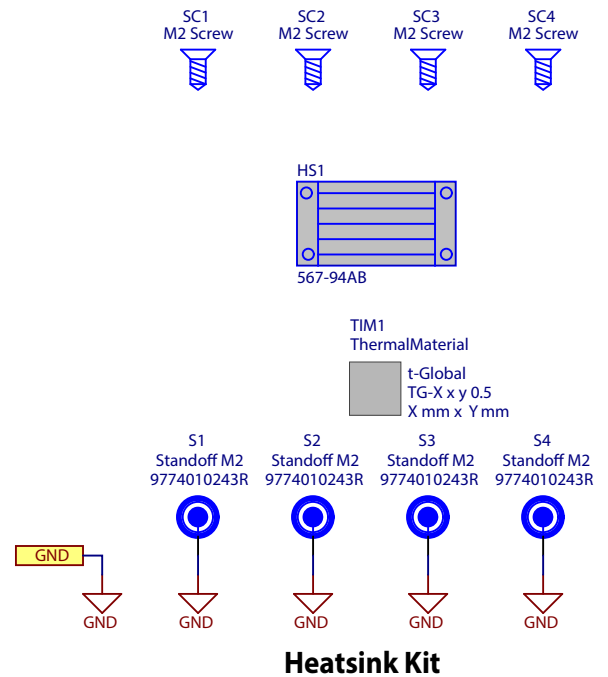


Figure 22: EPC9165 heatsink kit schematic