

Figure 13: EPC9170 B5318 Rev 1.0 main schematic

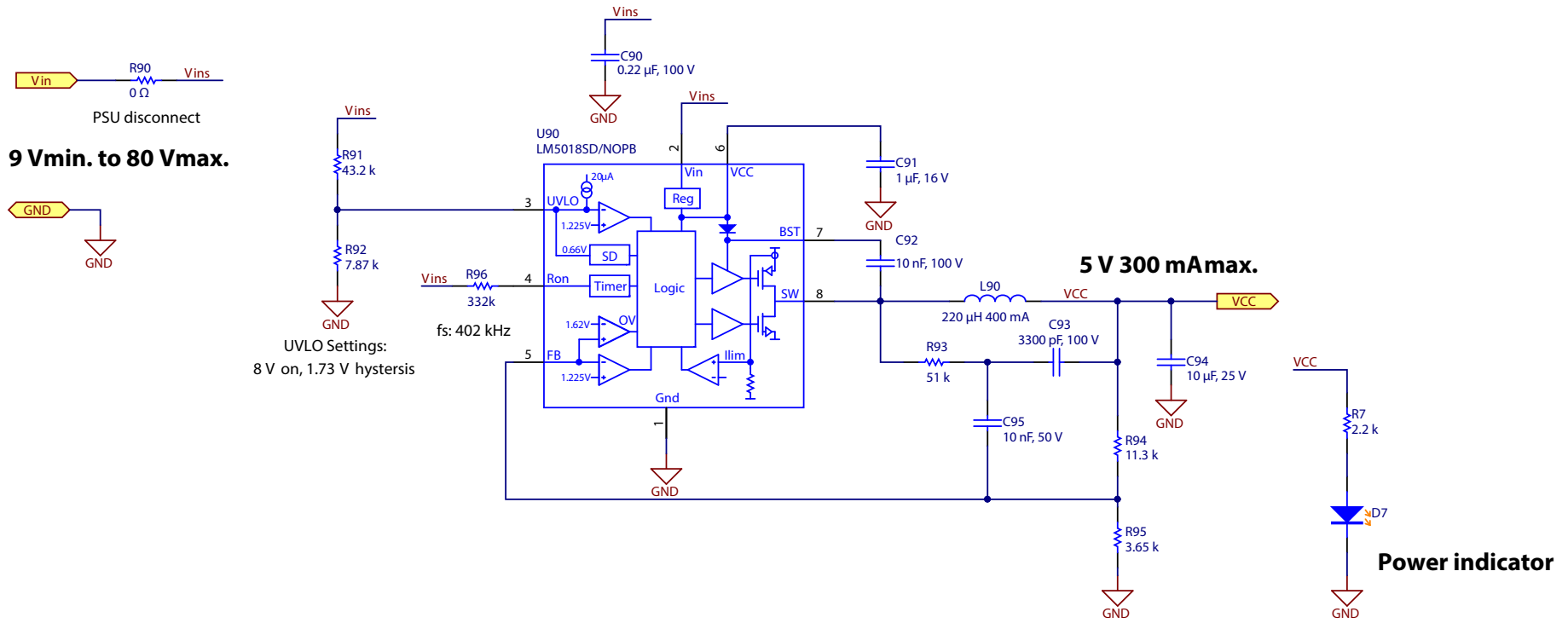


Figure 14: EPC9170 80 V to 5 V housekeeping power supply schematic

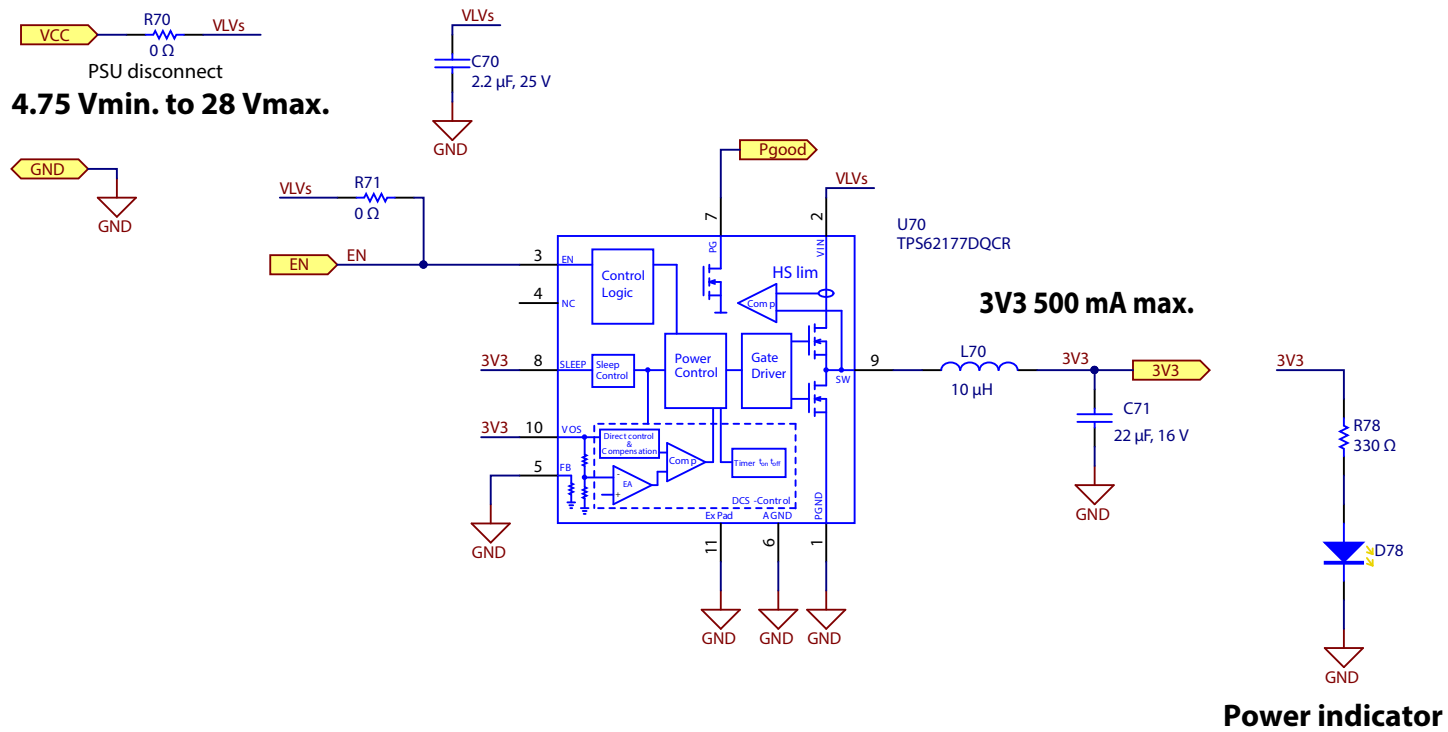
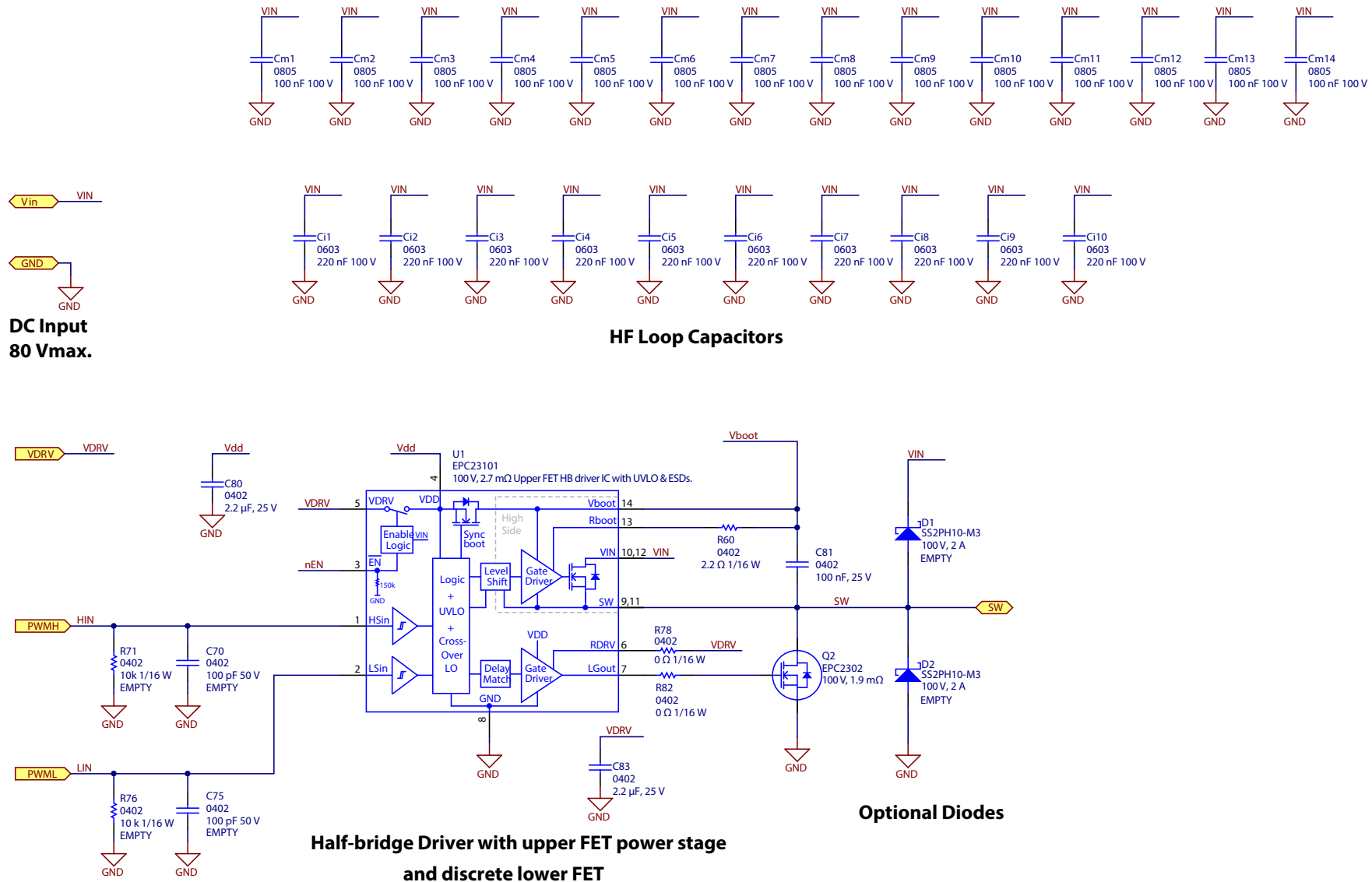


Figure 15: EPC9170 3.3 V housekeeping power supply schematic



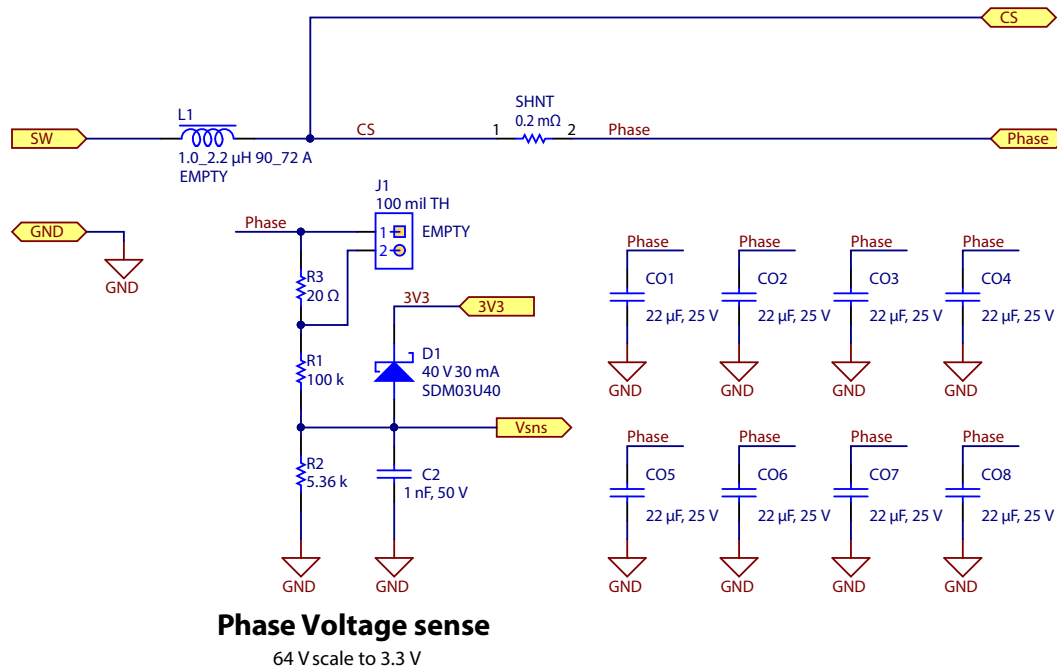


Figure 17: EPC9170 48 V to 12 V AEC high current filter schematic

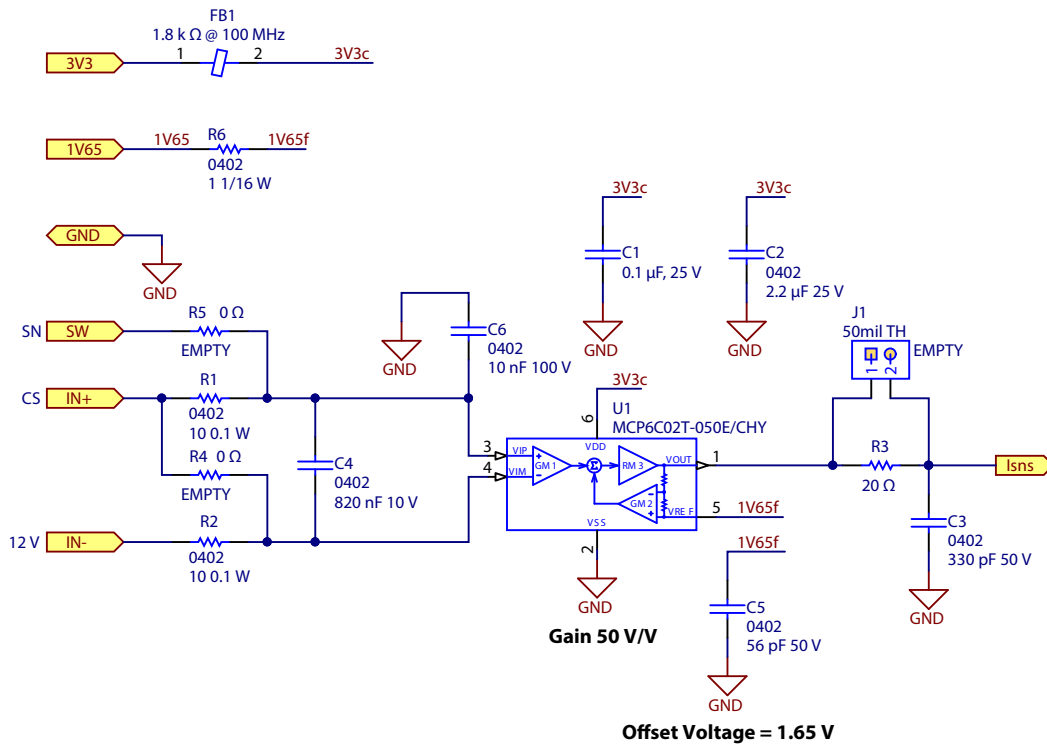


Figure 18: EPC9170 bi-directional current sense amplifier schematic

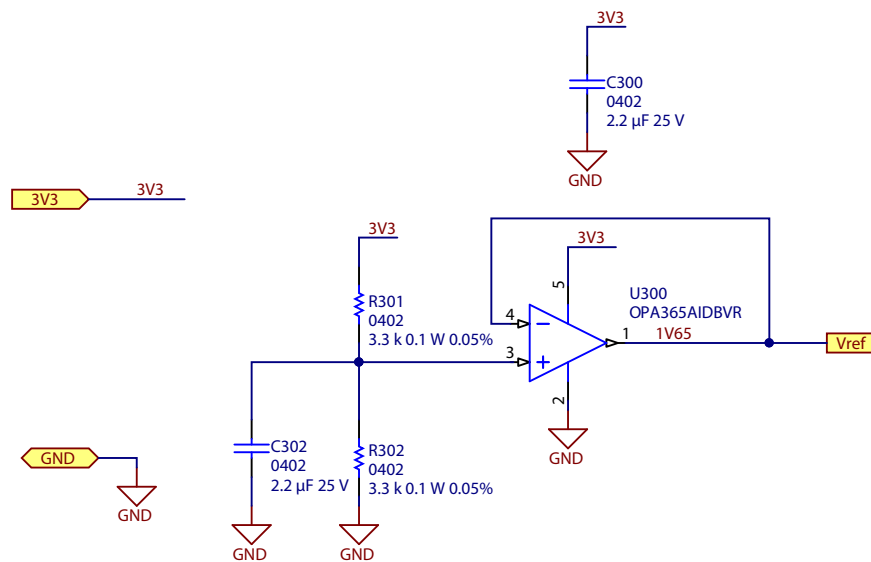


Figure 19: EPC9170 1.65 V reference schematic

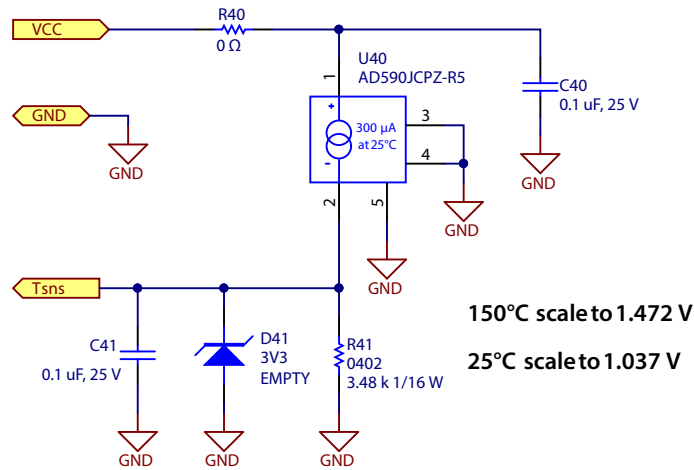


Figure 20: EPC9170 AD590 temperature sense schematic

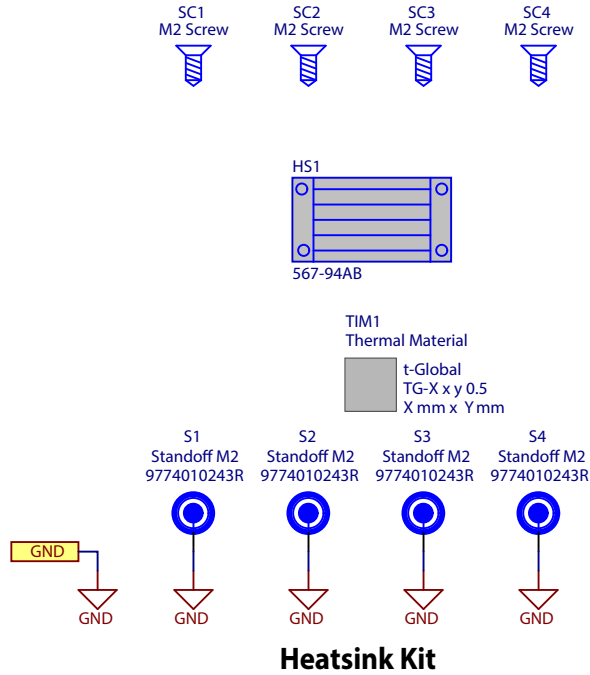


Figure 21: EPC9170 heatsink kit schematic