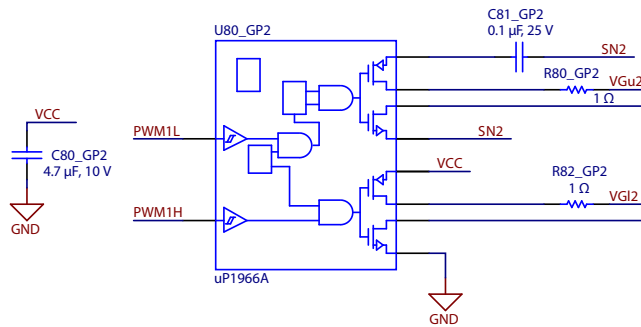
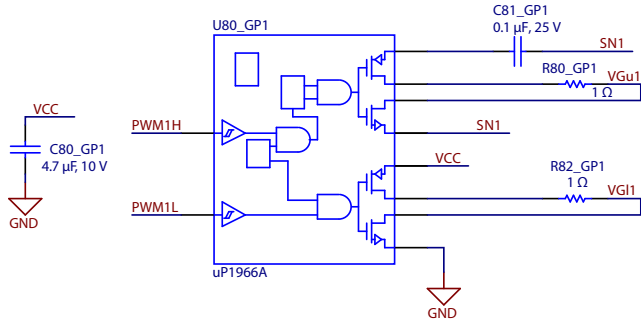
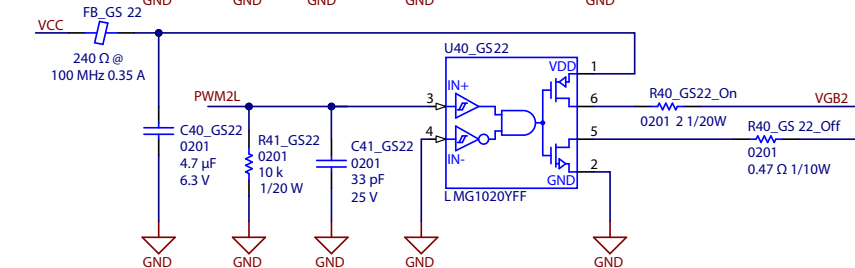
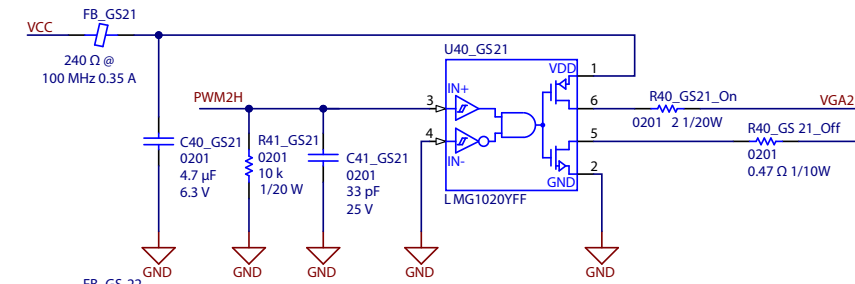
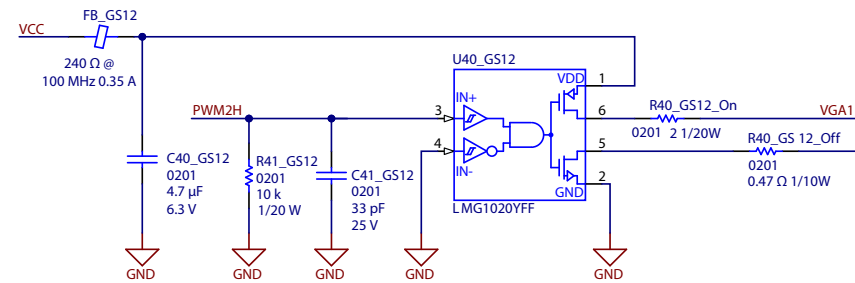
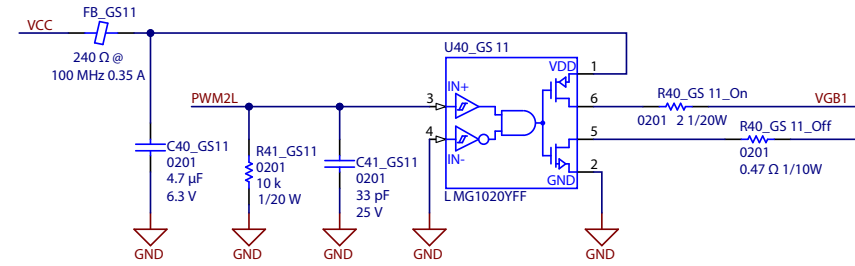


Figure 14: **Control stage:** This stage contains microcontroller, input and output voltage sensing, 5V bias supply for the drivers and 3.3V regulator for the dsPIC supply



**Primary-side Gate Drivers**



**Secondary-side Gate Drivers**

Figure 15: **Driver stage:** This stage contains all the driver circuitry for the primary and secondary side FETs

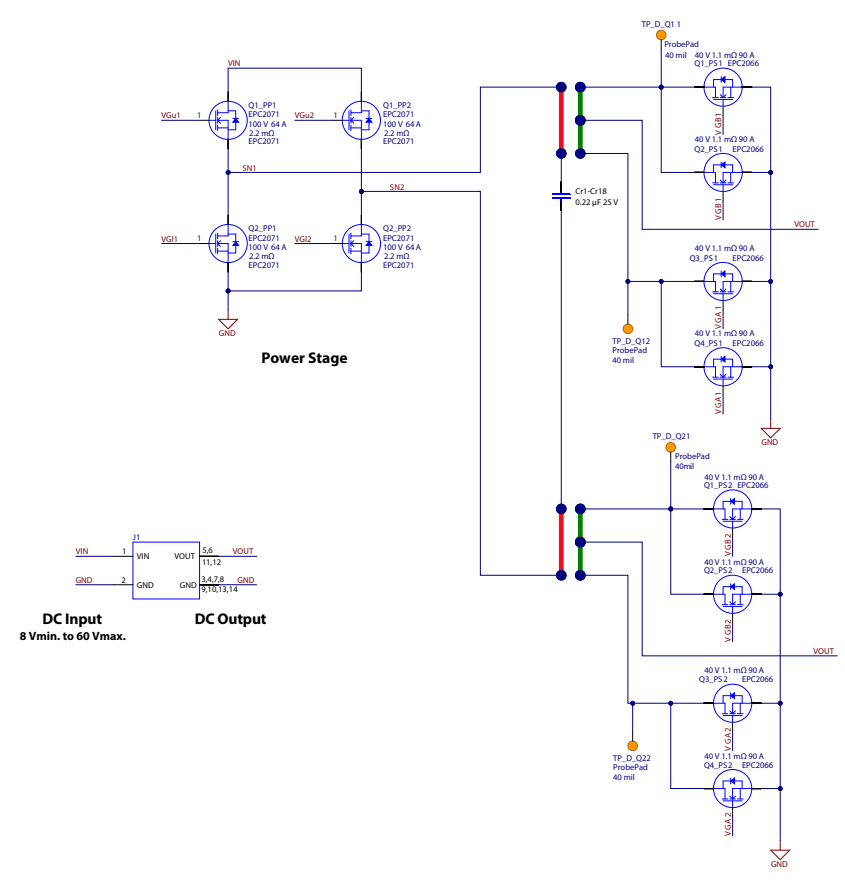
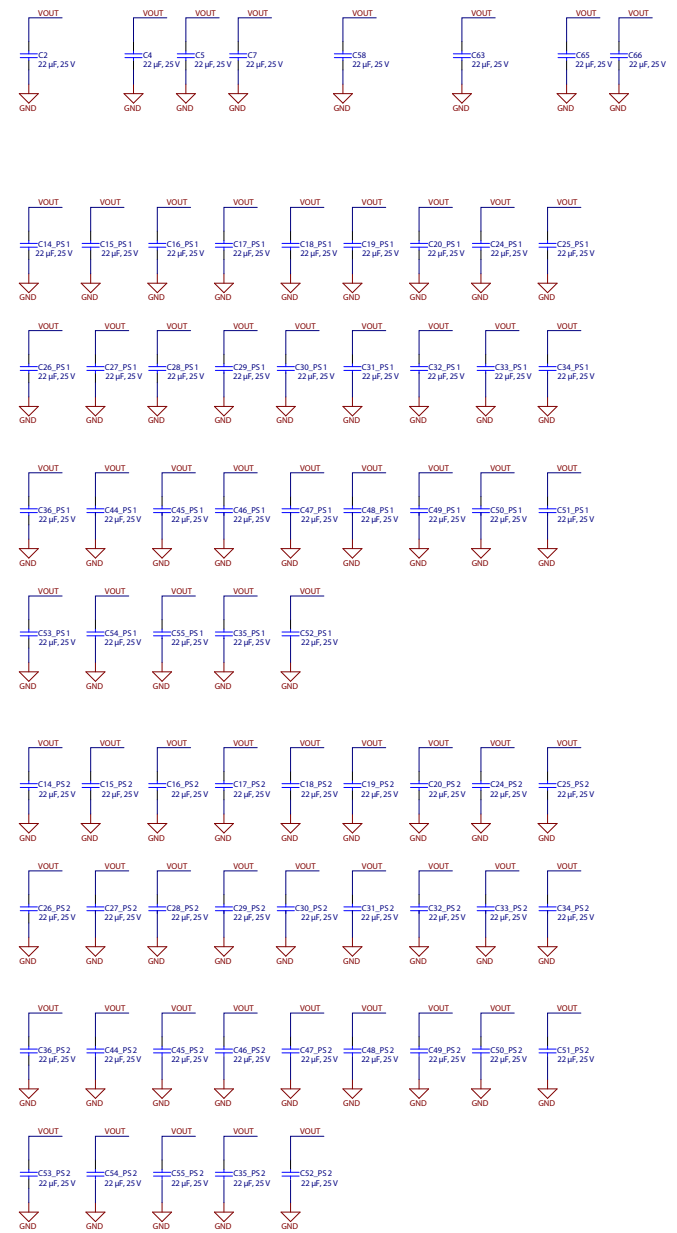
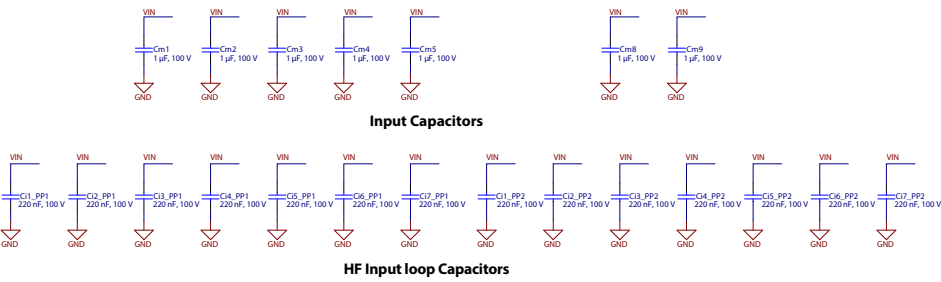


Figure 16: **Power stage:** This stage demonstrates the power stage topology including FETs, transformer and input, output and resonant capacitors