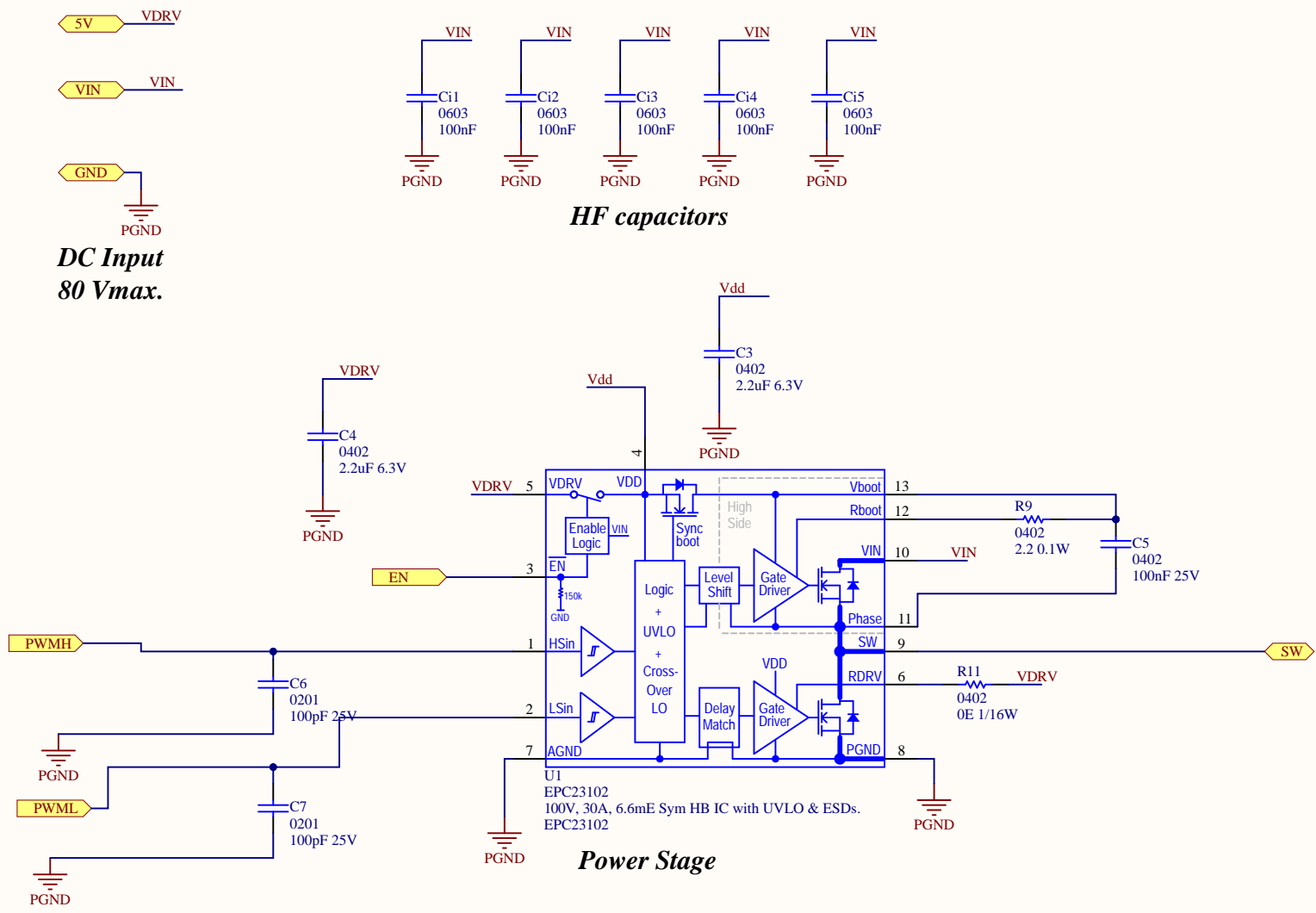



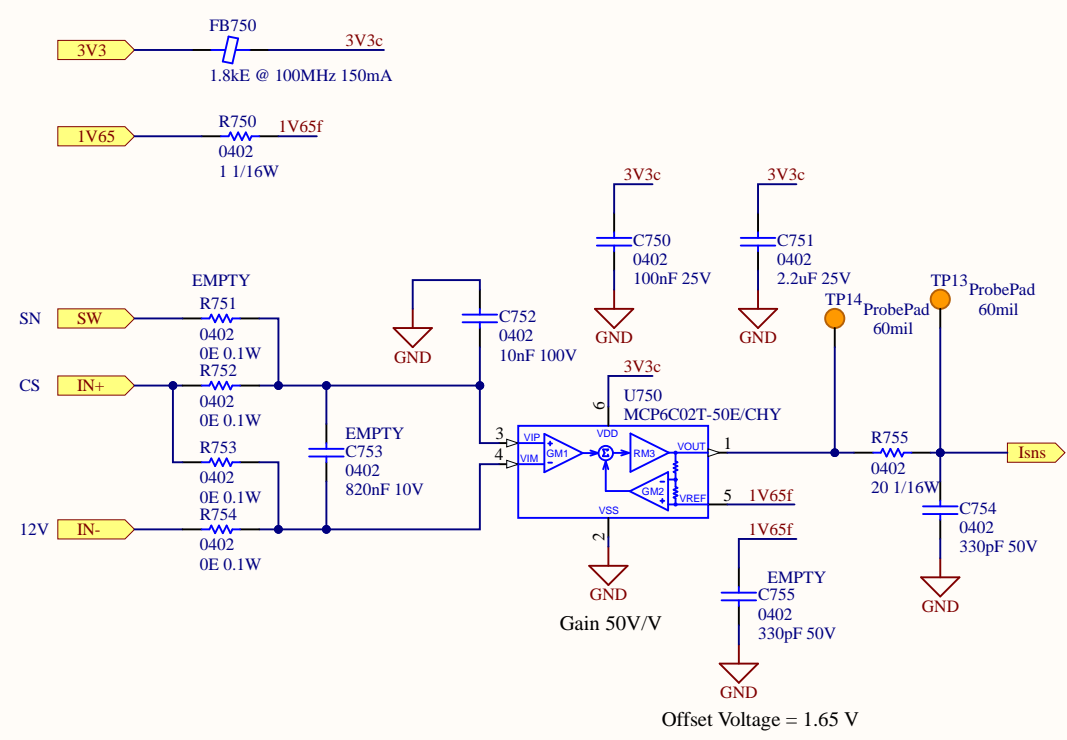
**28 pin 6X6 DsPic controller**

|                                       |              |   |  |
|---------------------------------------|--------------|---|--|
| Title AP8003 Rev. 1.0                 |              | Efficient Power Conversion<br>909 Pacific Coast Hwy Ste 230<br>El Segundo, CA 90245<br>U.S.A.<br><a href="http://www.epc-co.com">www.epc-co.com</a> |  |
| Size: B                               | Revision: 1  |   |  |
| Date: 7/8/2022                        | Sheet 1 of 1 |   |  |
| File: AP8003_Rev1_0_28pinDsPic.SchDoc |              |   |  |




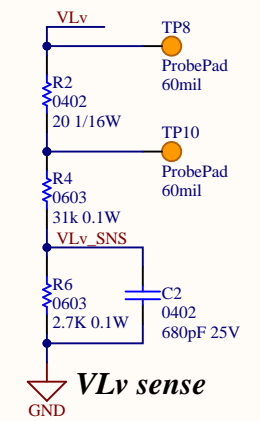
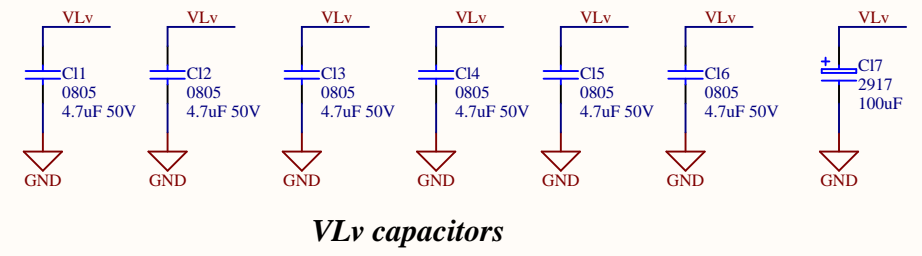
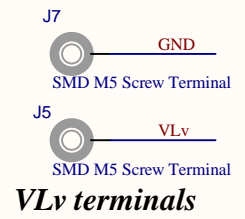
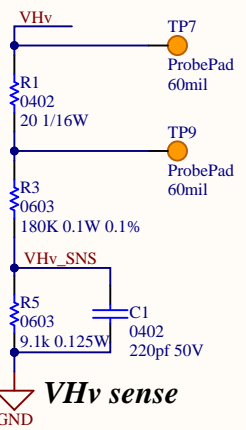
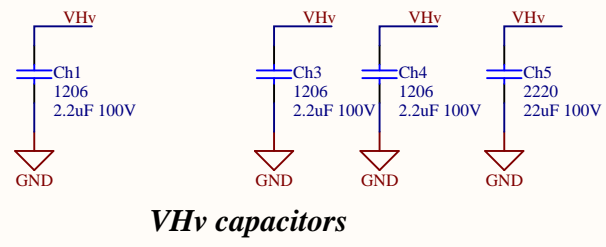
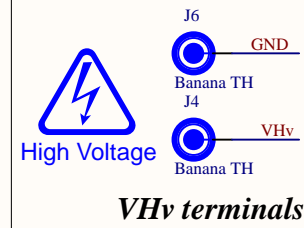
EPC2052 Phase leg

|                                       |   |   |   |
|---------------------------------------|---|---|---|
| Title EPC2052 Phase Leg Rev. 1.0      |   | Efficient Power Conversion<br>909 N. Pacific Coast Hwy, Ste. 231<br>El Segundo, CA 90245<br>United States<br><a href="http://www.epc-co.com">www.epc-co.com</a> |   |
| Size: A                               | * | Revision: 1   |  |
| Date: 7/14/2022                       |   | Sheet 1 of 1  |   |
| File: EPC23102_Rev1_0_PhaseLeg.SCHDOC |   |   |   |

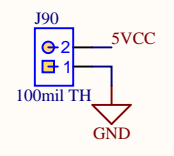
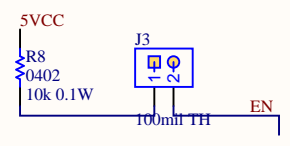


### Bi-Directional 65 V Current Sense Amplifier

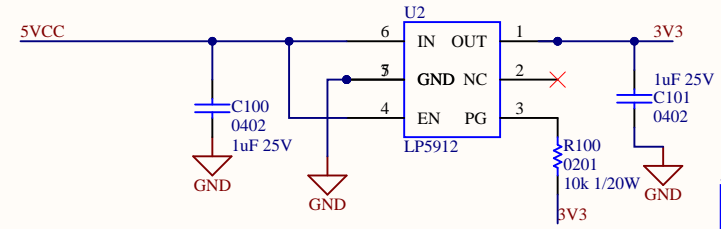
|  |   |   |  |   |
|--|---|---|--|---|
| Title AP1045 Rev. 1.2                      |   | Efficient Power Conversion<br>909 N. Pacific Coast Hwy, Ste. 231<br>El Segundo, CA 90245<br>United States<br><a href="http://www.epc-co.com">www.epc-co.com</a> |  |  |
| Size: A                                    | * | Revision: 1   |  |   |
| Date: 7/18/2022                            |   | Sheet 1 of 1  |  |   |
| File: AP1045_Rev1_2_CurrentSenseAmp.SCHDOC |   |   |  |   |



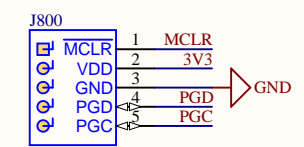
**Shut Down**



**3.3V Logic Supply**

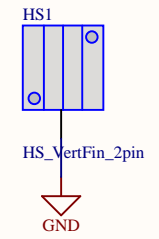
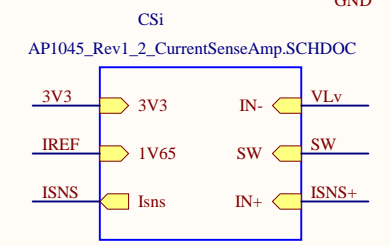
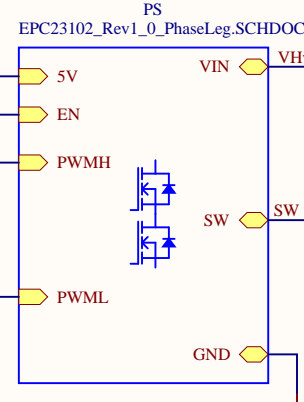
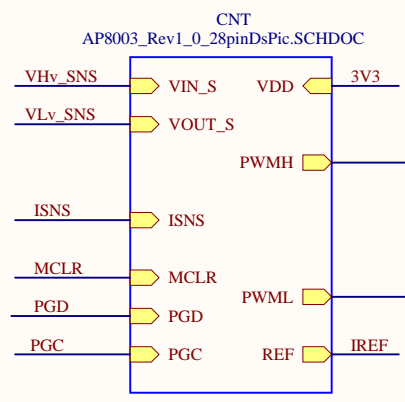


**3V3 Supply**

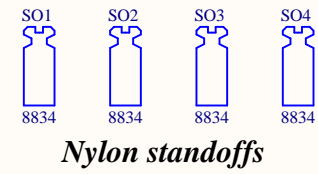
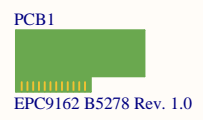


Pickit/PS-ID program header

**Programming**



For evaluation only;  
not FCC approved for resale



|                                     |              |   |  |
|-------------------------------------|--------------|---|--|
| Title <b>EPC9177 B5346 Rev. 1.0</b> |              | Efficient Power Conversion<br>909 N. Pacific Coast Hwy, Ste. 23<br>El Segundo, CA 90245<br>U.S.A.<br><a href="http://www.epc-co.com">www.epc-co.com</a> |  |
| Size: A                             | Revision: 1  |   |  |
| Date: 7/21/2022                     | Sheet 1 of 1 |   |  |
| File: EPC9177_B5346_Rev1_0.SchDoc   |              |   |  |