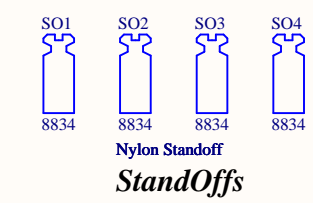
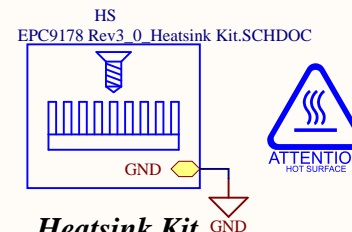
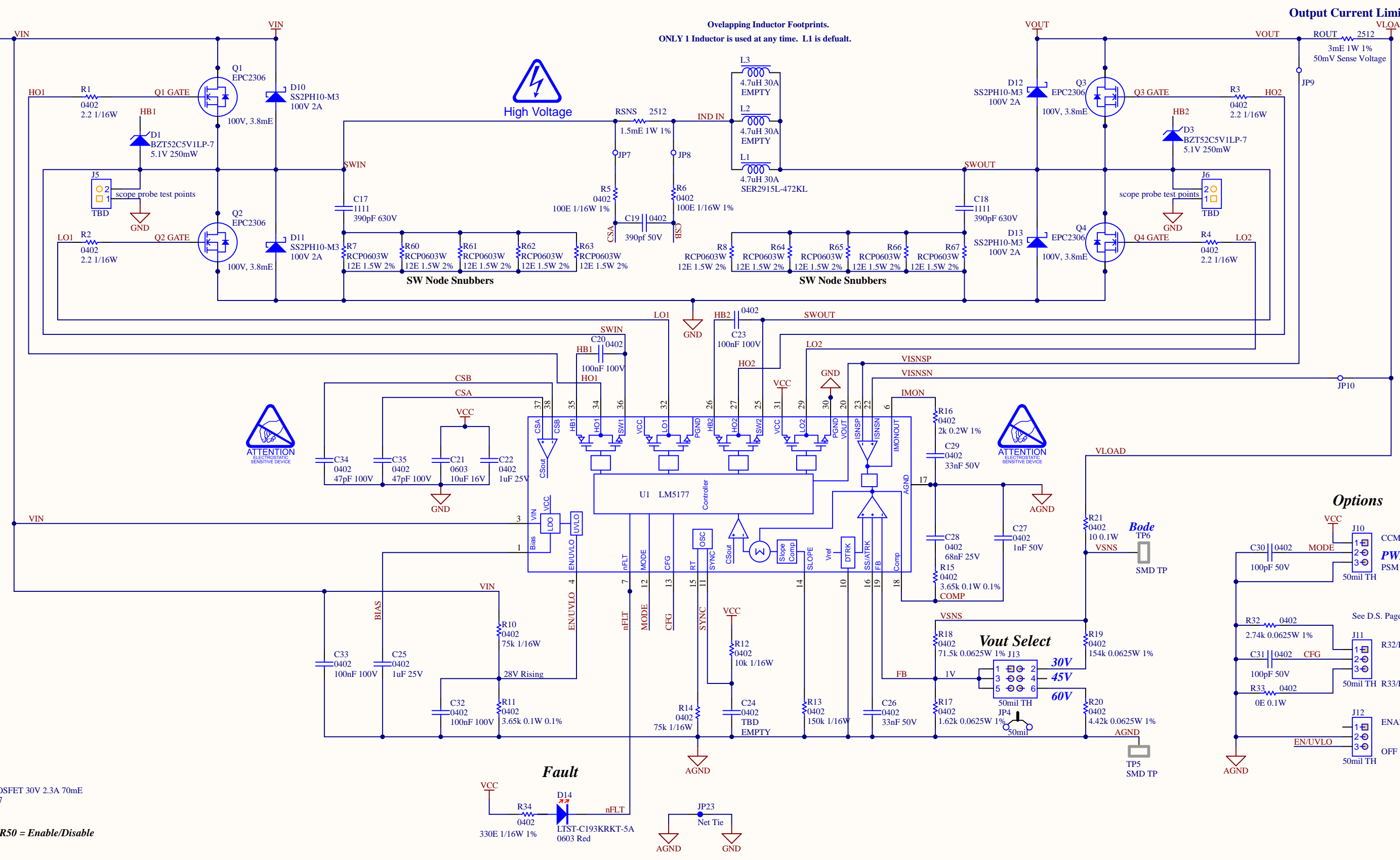
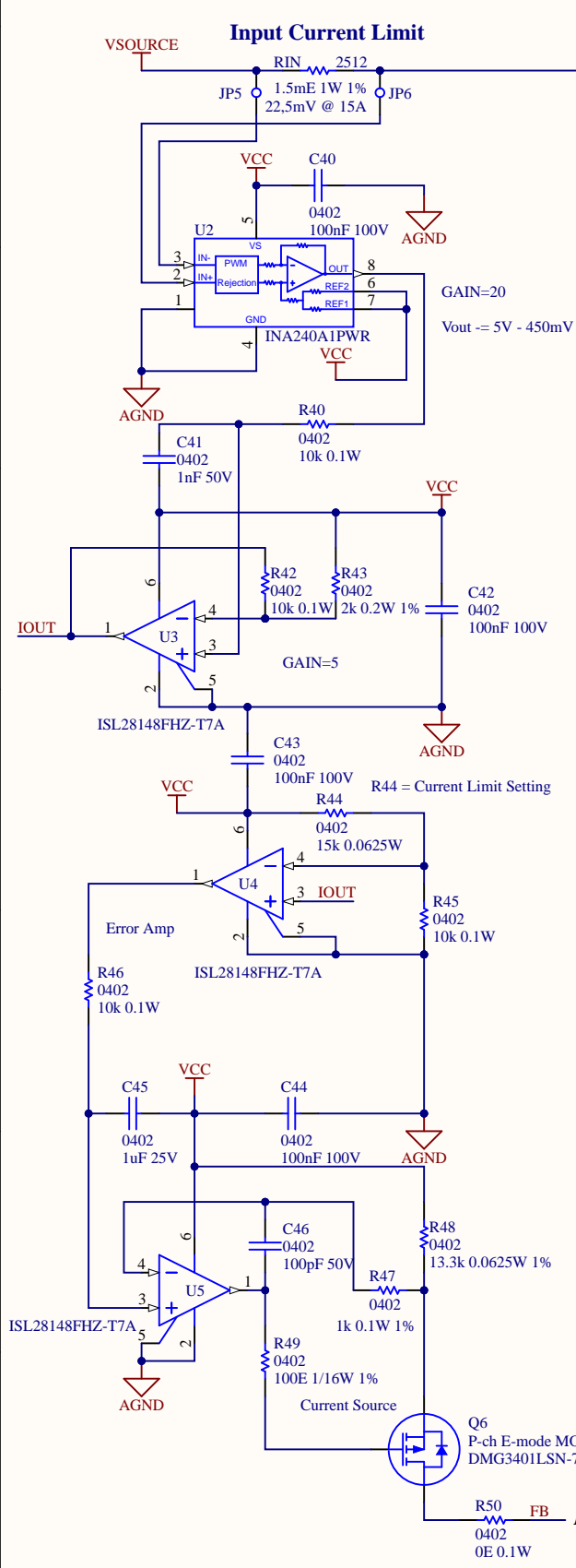


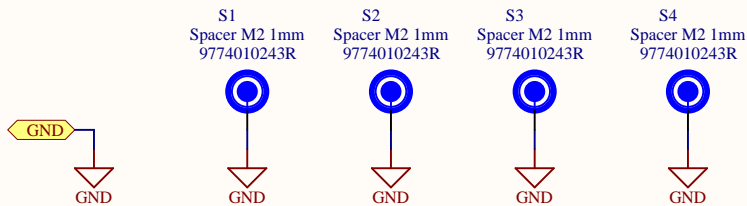
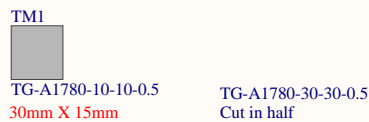
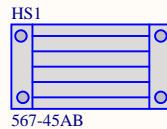
Input - Spec V range & I max.



Title: 15A Buck-Boost board suitable for Optimizer.			© EPC 2024
Design #: EPC9178	PCB #: B5348	Efficient Power Conversion	
Revision 4.0	Revision: 4.0	909 N Pacific Coast Hwy Ste 230	
Date: 3/27/2024	Sheet 1 of 2	El Segundo, CA 90245	
File: EPC9178_B5348_Rev4_0_SCHDOC		U.S.A.	
		www.epc-co.com	

Serial# yyww-nnn For evaluation only; not FCC approved for resale





Title: 8th brick size heatsink kit with TIM and screws		© EPC 2023
Design #: EPC9178 Heatsink Kit		Efficient Power Conversion 909 Pacific Coast Hwy, Ste 230 El Segundo, CA 90245 U.S.A. www.epc-co.com
Revision 3.1		
Date: 3/27/2024	Sheet 2 of 2	
File: EPC9178_Rev4_0_Heatsink Kit.SCHDOC		