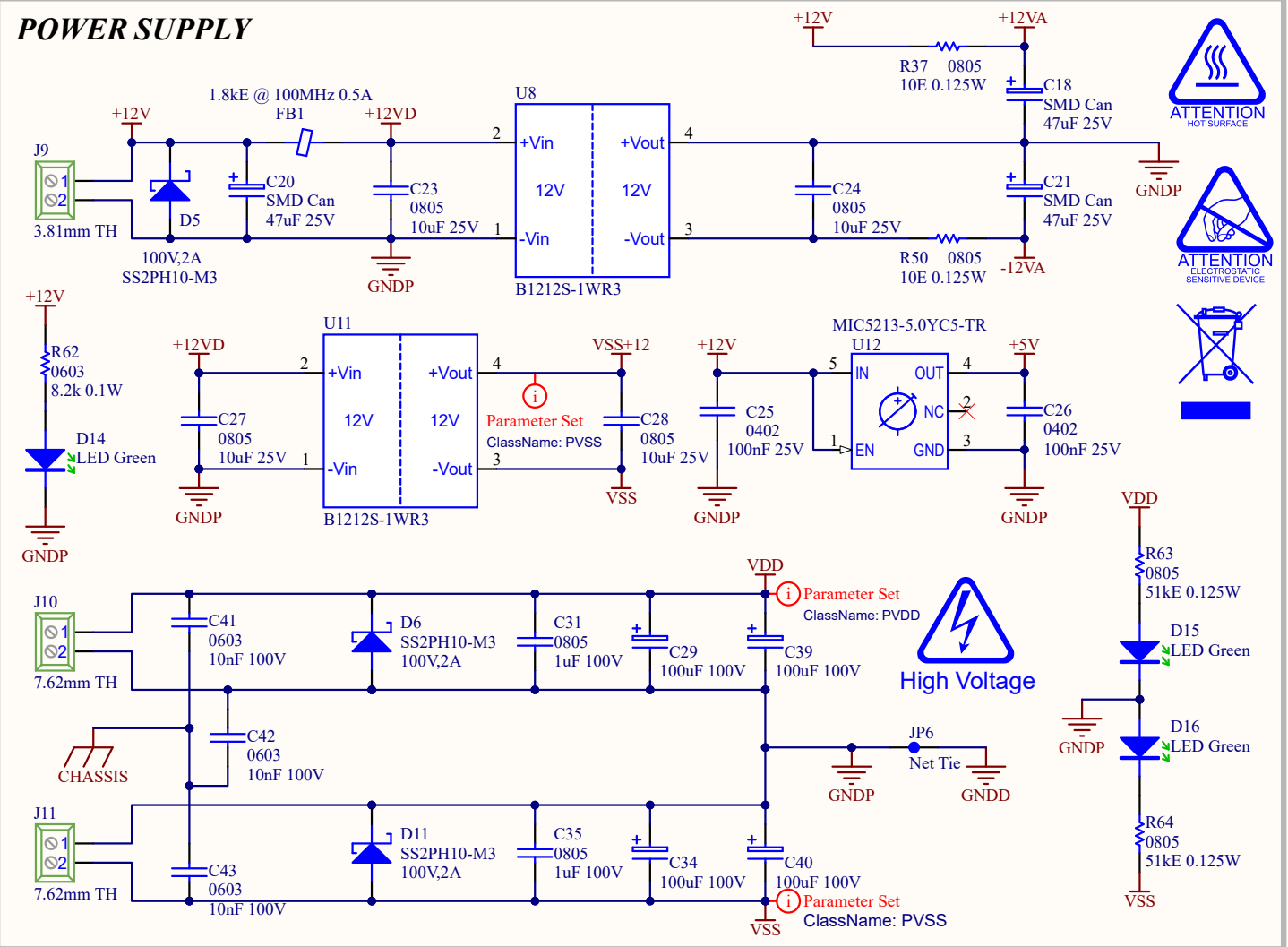
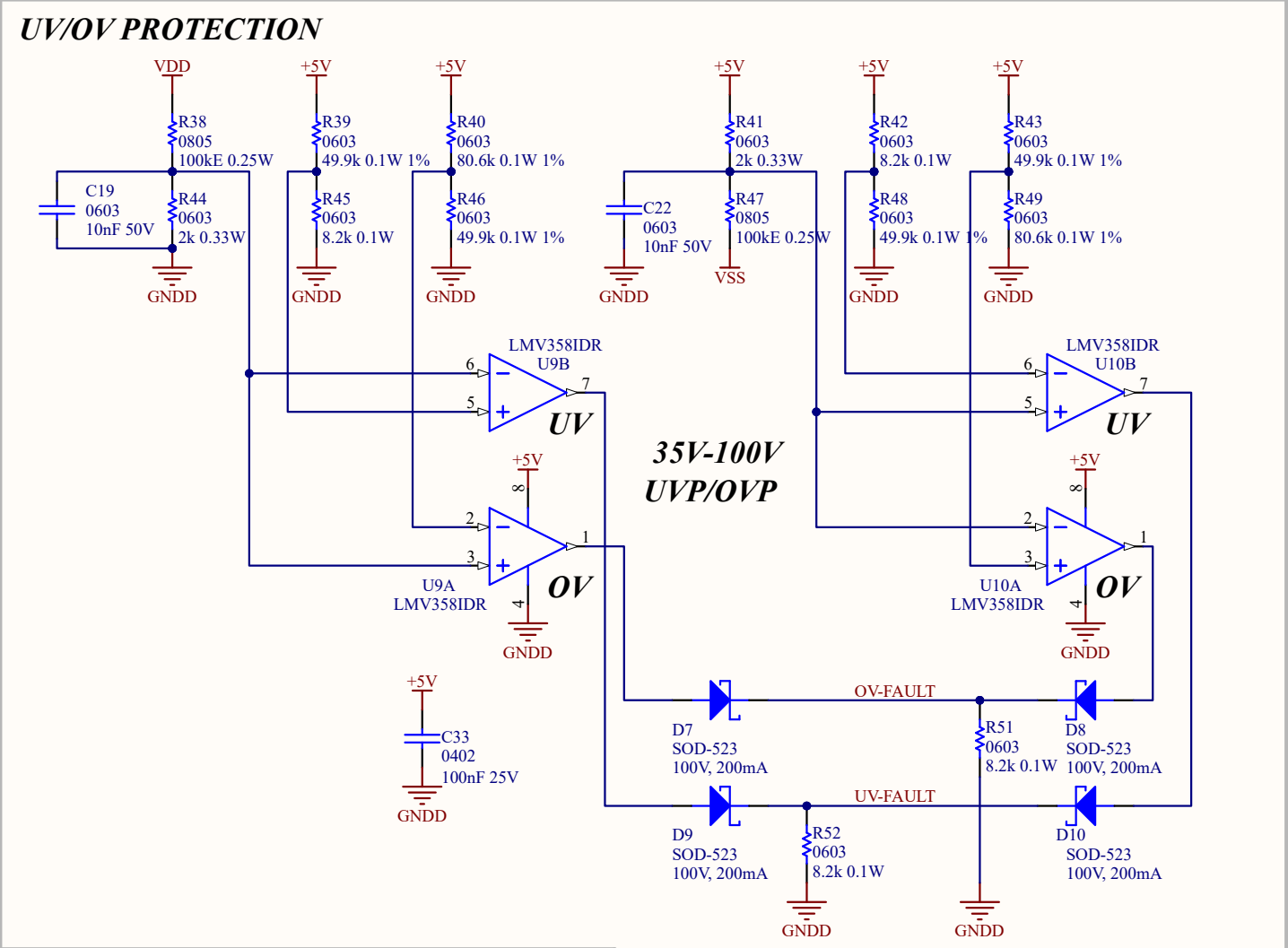


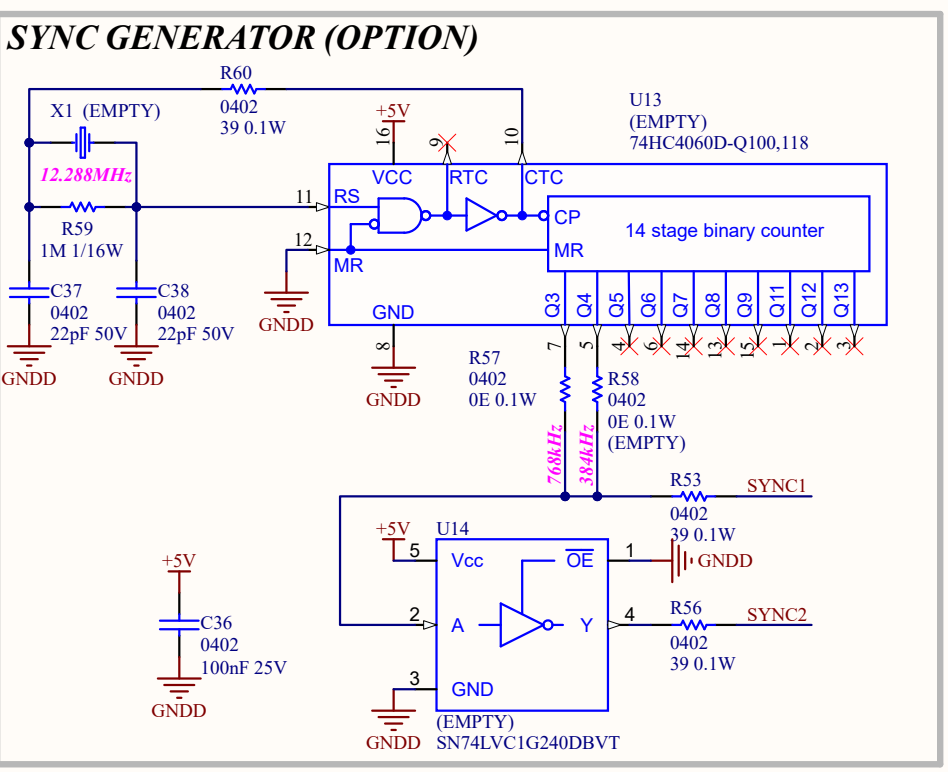
### POWER SUPPLY



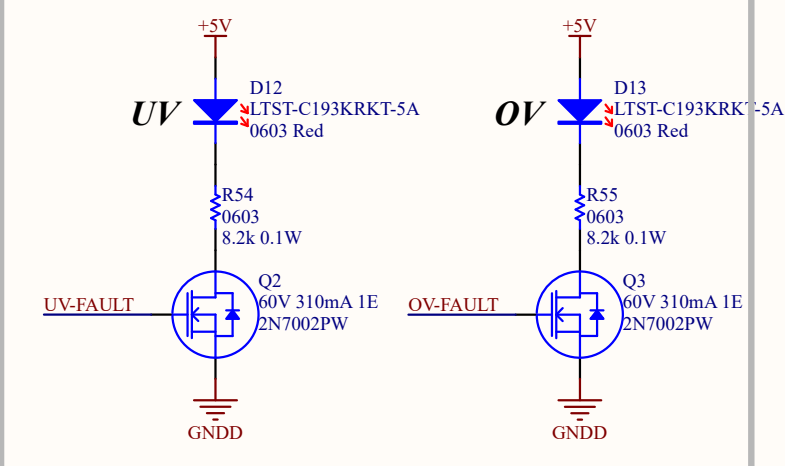
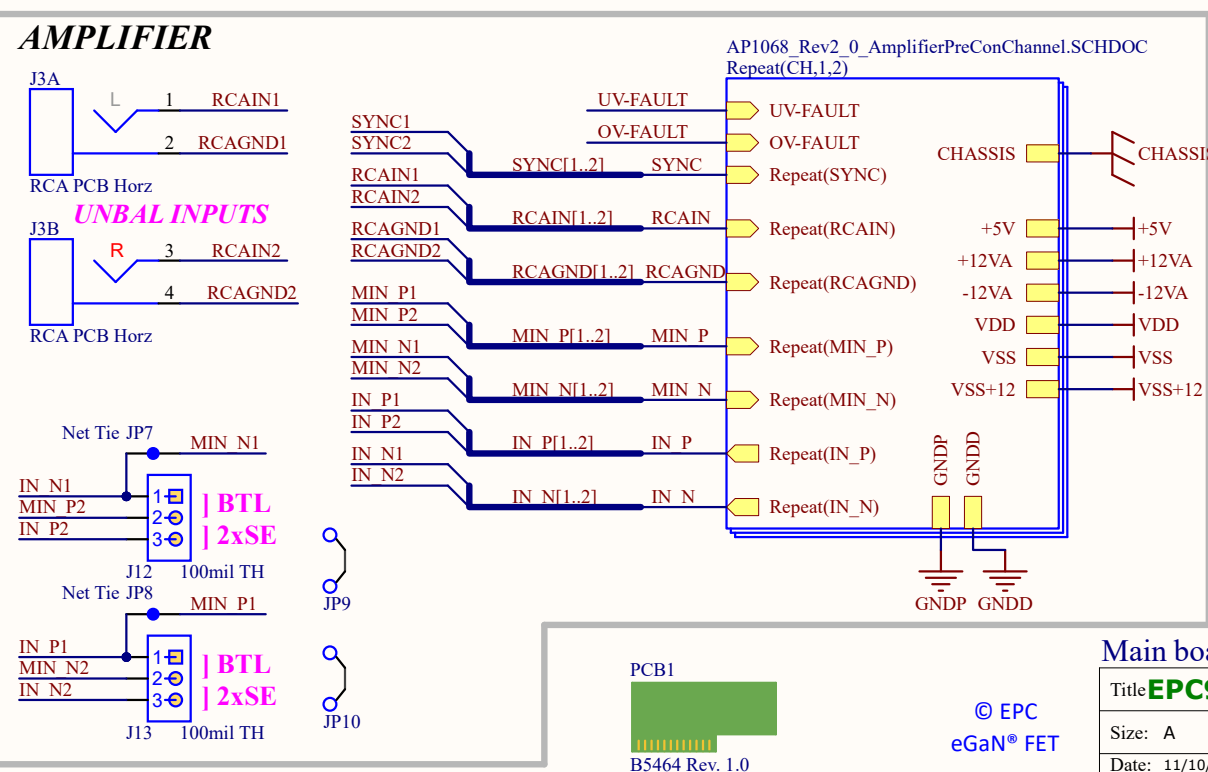
### UV/OV PROTECTION



### SYNC GENERATOR (OPTION)



### AMPLIFIER



### Main board - 2 Channel Audio Amplifier

Title: <b>EPC9192 B5464 Rev 1.0</b>		Efficient Power Conversion 909 N. Pacific Coast Hwy, Ste. 23 El Segundo, CA 90245 United States <a href="http://www.epc-co.com">www.epc-co.com</a>	
Size: A	*	Revision: 1	
Date: 11/10/2023	Sheet 1 of 1		
File: EPC9192_B5464_Rev2_0.SCHDOC			



For evaluation only;  
not FCC approved for resale



