

Figure 5: EPC9507 ZVS Class-D Amplifier Schematic Rev 3.2

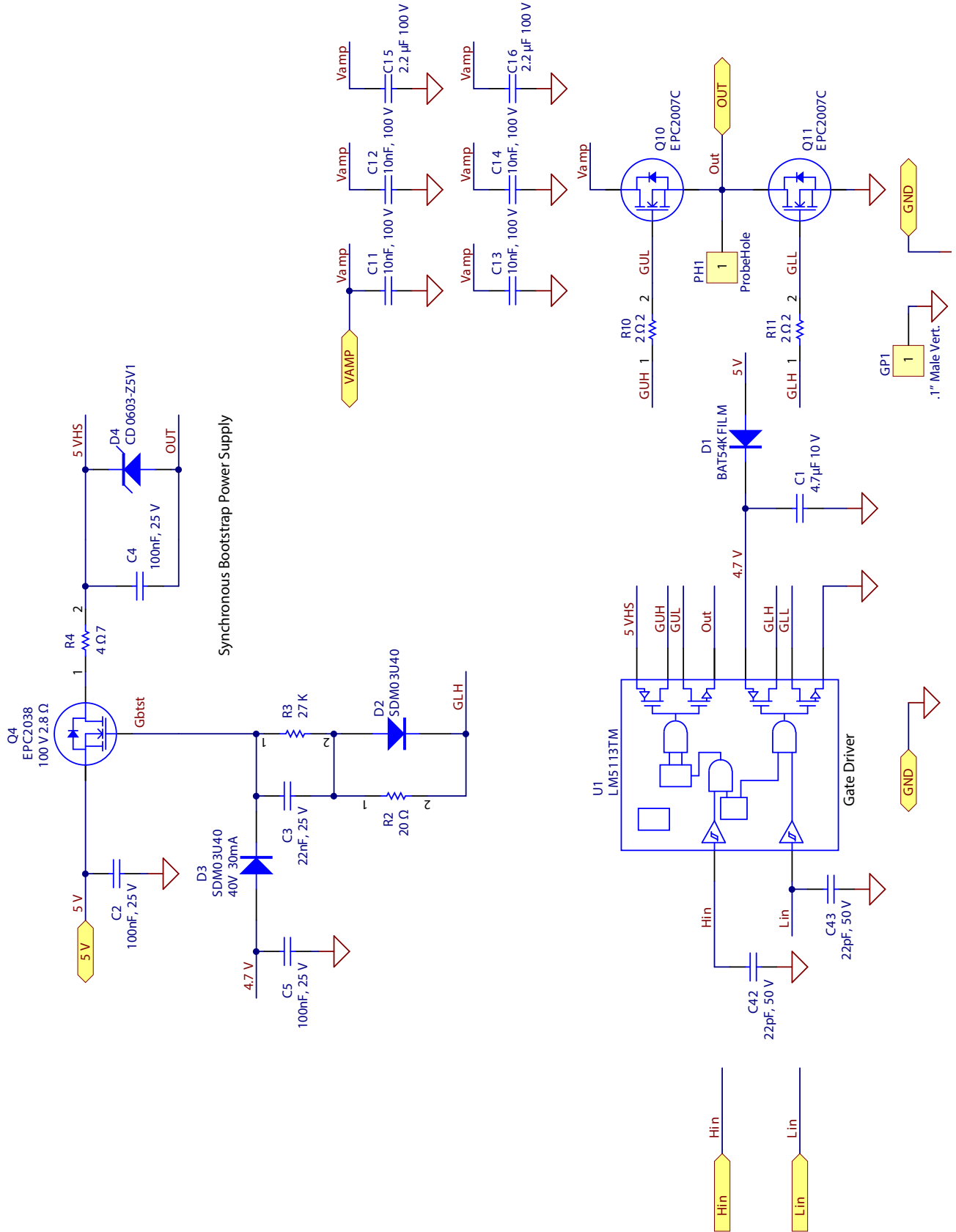


Figure 6: EPC9507 Pre-Regulator Schematic

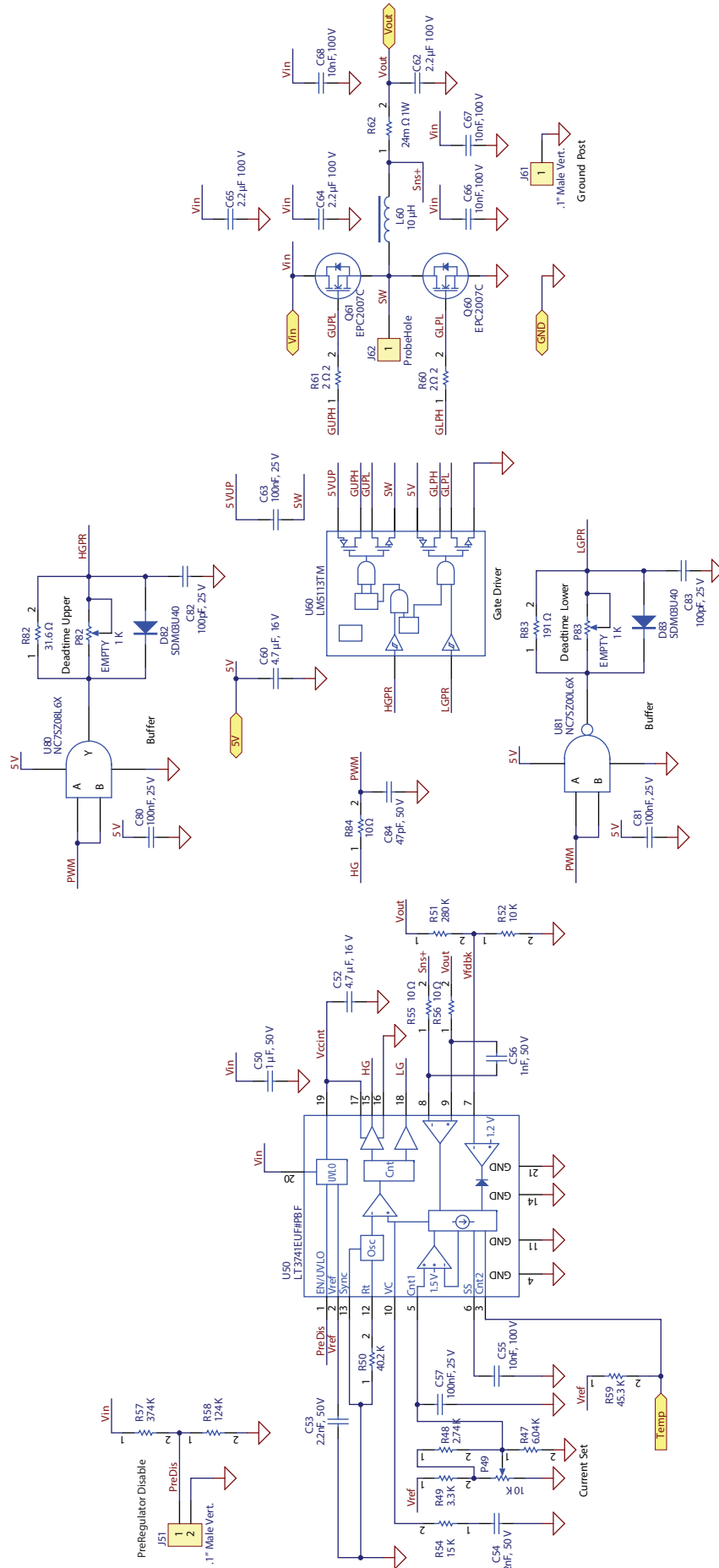


Figure 7: EPC9507 Pre-Regulator Schematic