

Figure 5: EPC9508 Source Board Amplifier Schematic

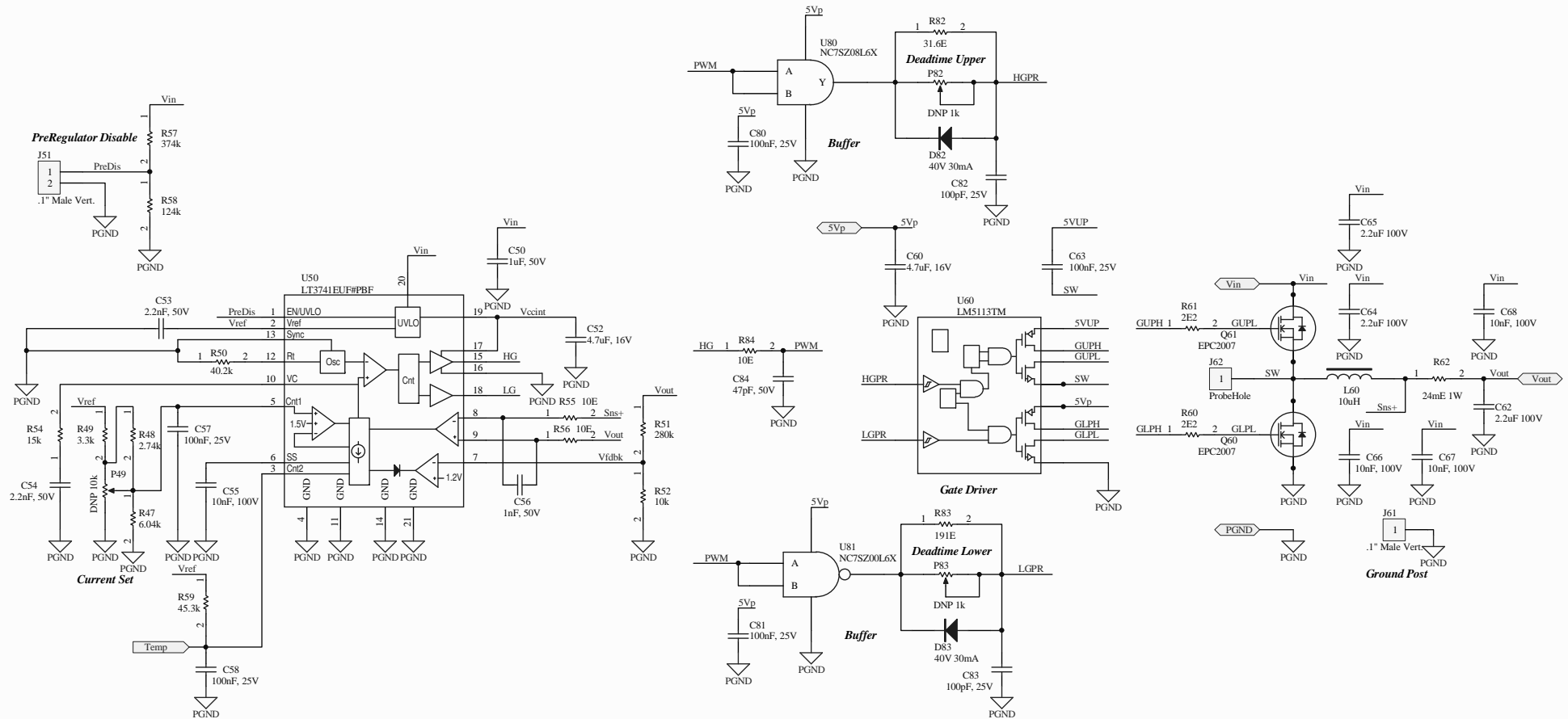


Figure 6: EPC9508 -Source Board Pre-Regulator Schematic