

Figure 3: EPC9528 main schematic

FD1 FD2 FD3

Data type selector

Default set to UART using 5 V

| UART | | I ² C | |
|---------|------|------------------|------|
| 5 V | | 3V3 | |
| Install | DNP | Install | DNP |
| R530 | R532 | R532 | R530 |
| R531 | R533 | R533 | R531 |
| R551 | R534 | R534 | R551 |
| | R535 | R535 | |
| | R520 | R520 | |
| | R521 | R521 | |
| | R552 | R552 | |

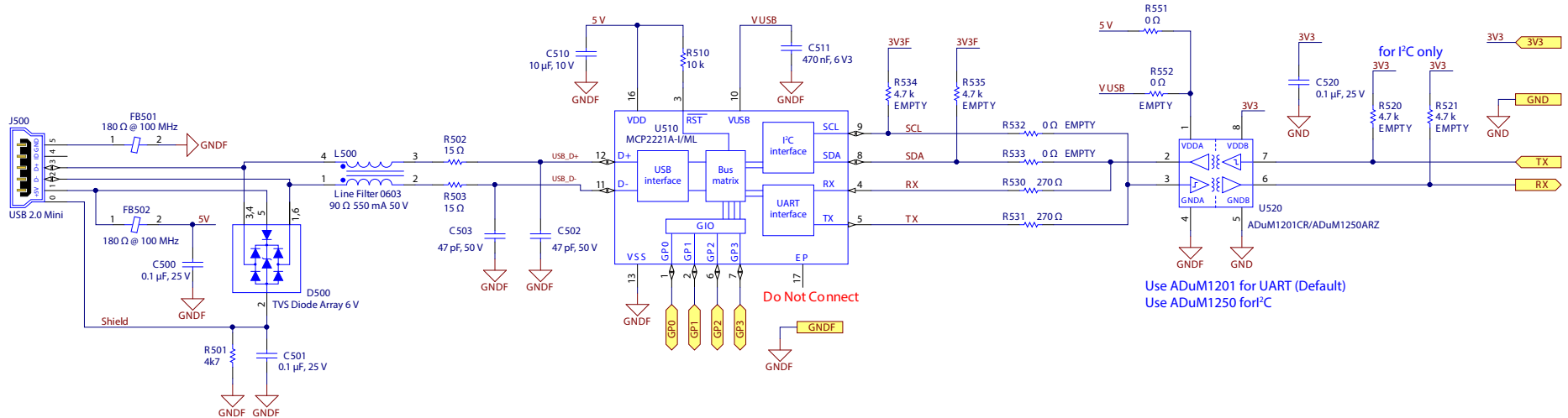


Figure 4: EPC9528 USB interface schematic