

Figure 7: EPC9531 Controller schematic

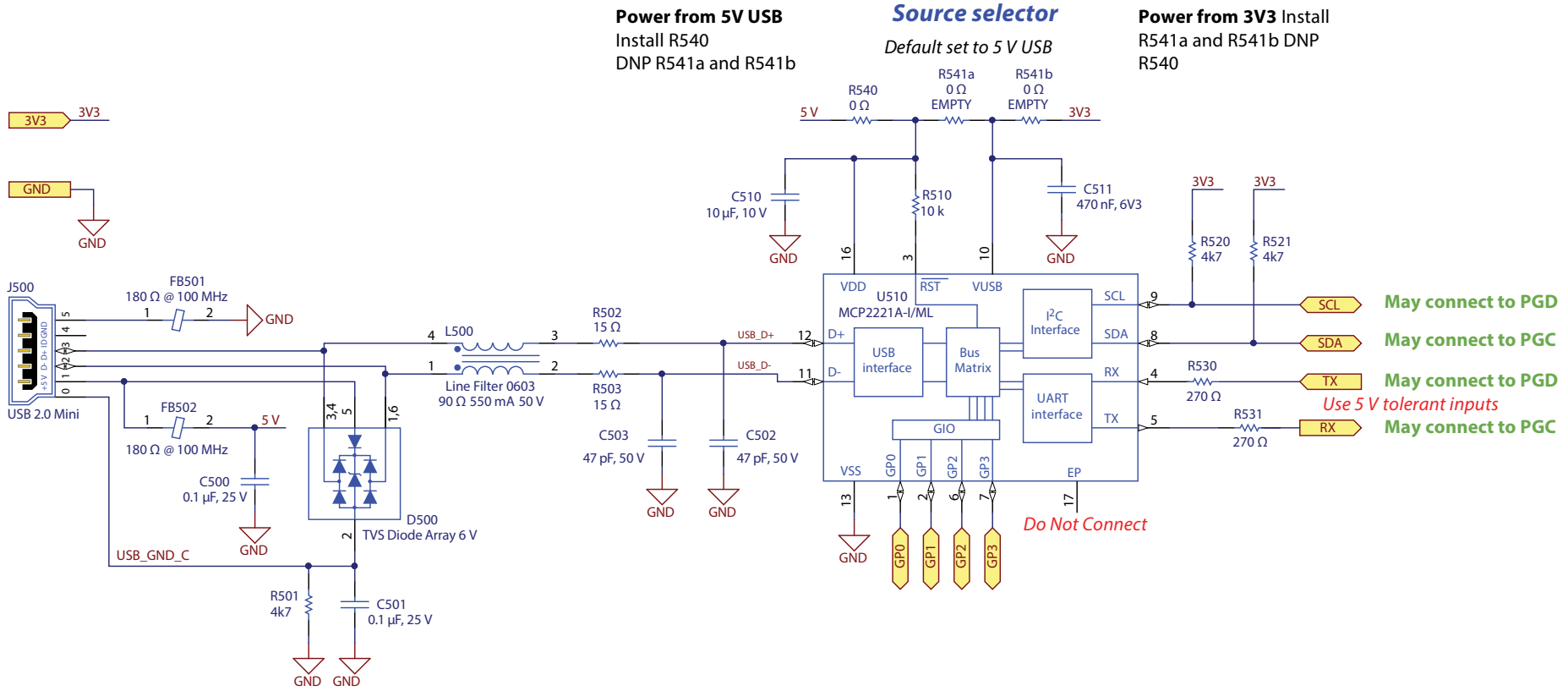


Figure 8: EPC9531 Controller schematic