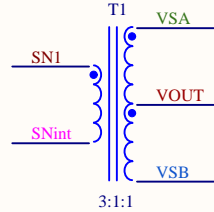
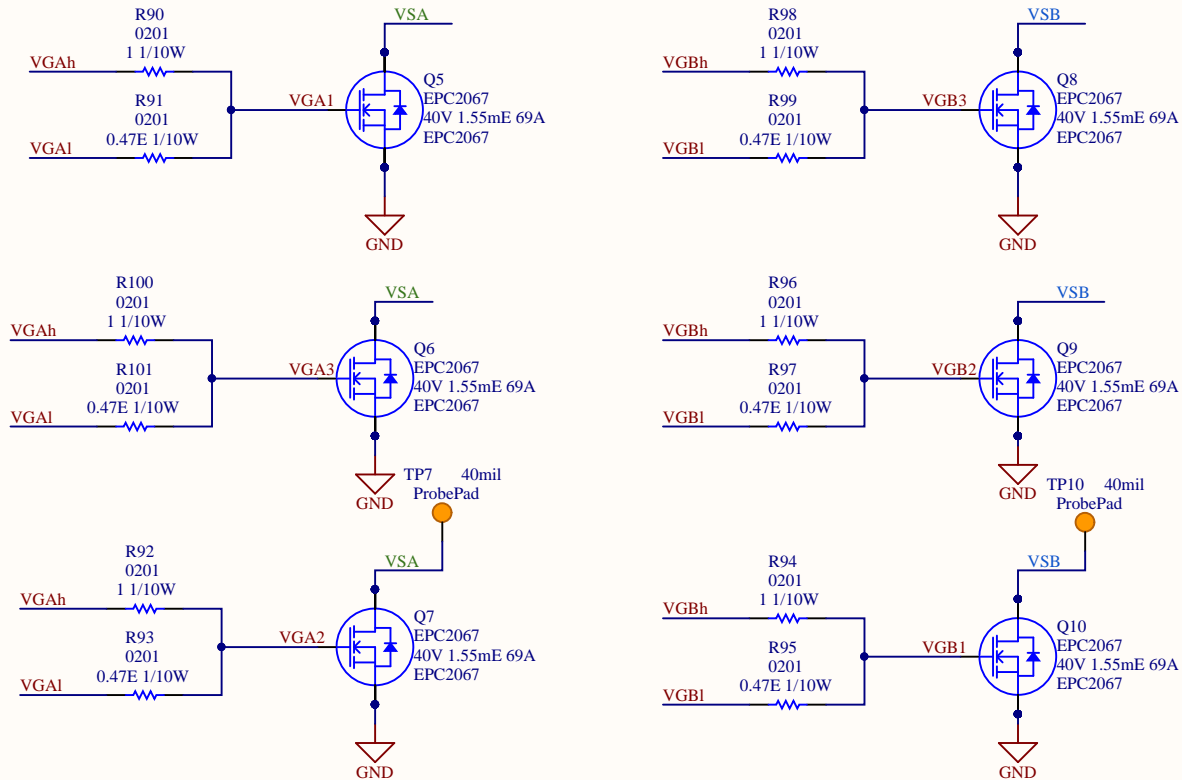


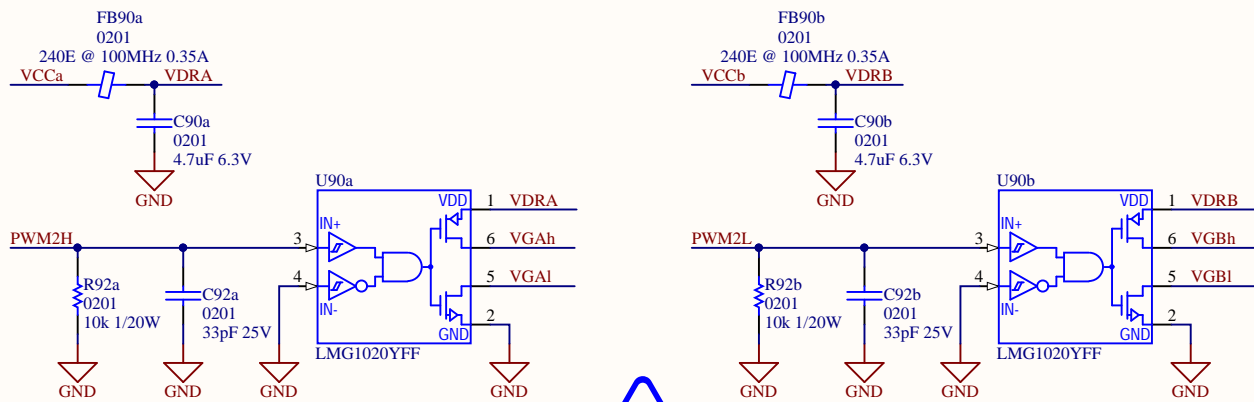
Transformer



Secondary-side eGaN FETs

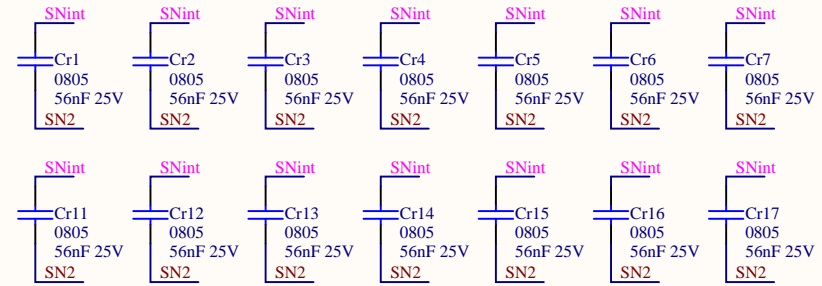


Secondary-side Gate Drivers

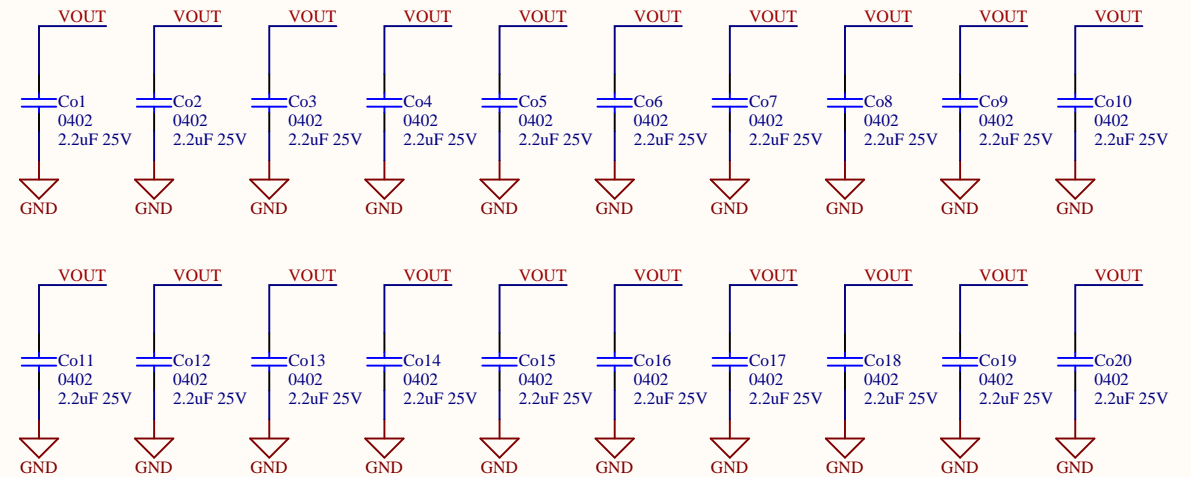


For evaluation only;
not FCC approved for resale

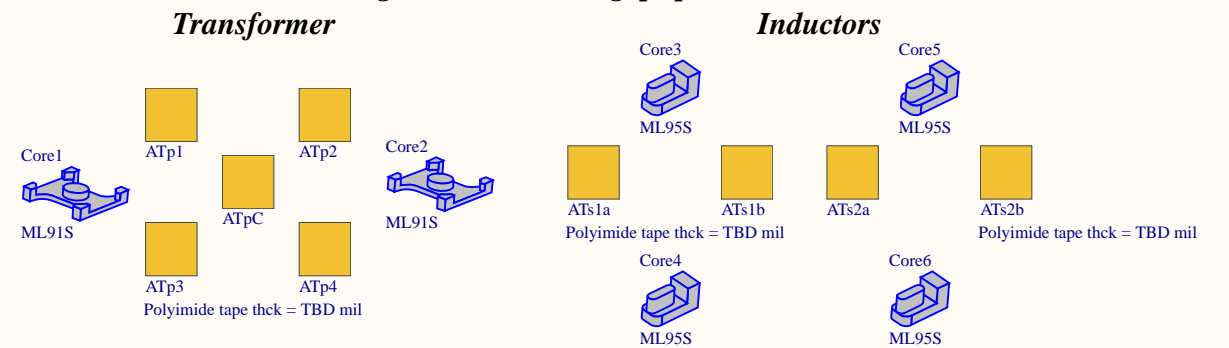
Resonant capacitors



Output capacitors



Magnetic cores & Airgap spacers



Title: High Power Density 48 V to 12 V LLC - Transformer eGaN® FET © EPC 2023		
Design #: EPC9551T	PCB #: B5450	
Revision 1.1	Revision: 1.1	
Date: 9/7/2023	Sheet 1 of 1	
File: EPC9551T_B5450_Rev1_0.SCHDOC		Efficient Power Conversion 909 Pacific Coast Hwy. Ste 230 El Segundo, CA 90245 U.S.A. www.epc-co.com