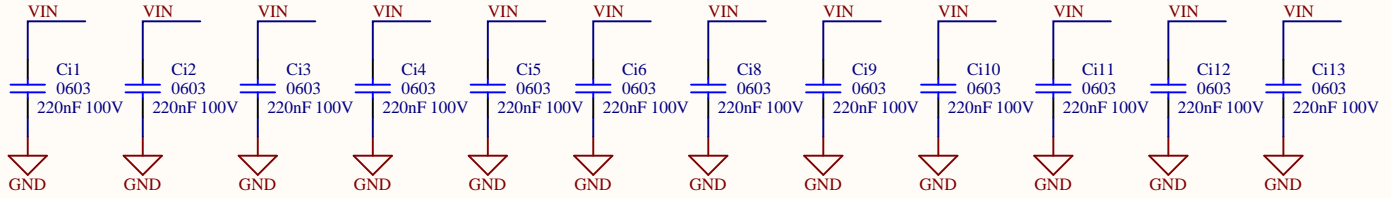
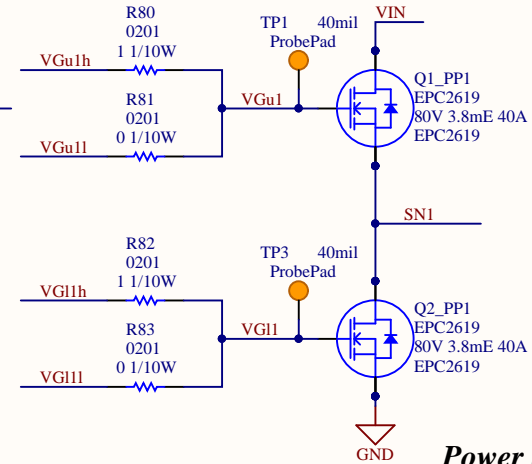
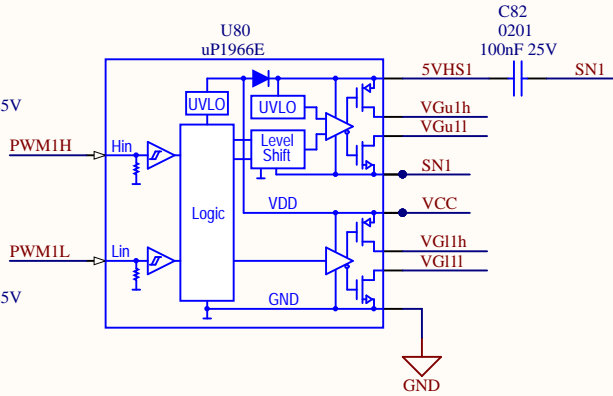
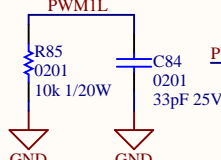
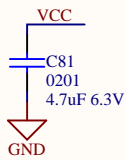
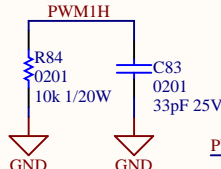
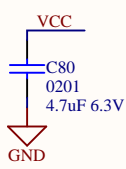


DC Input

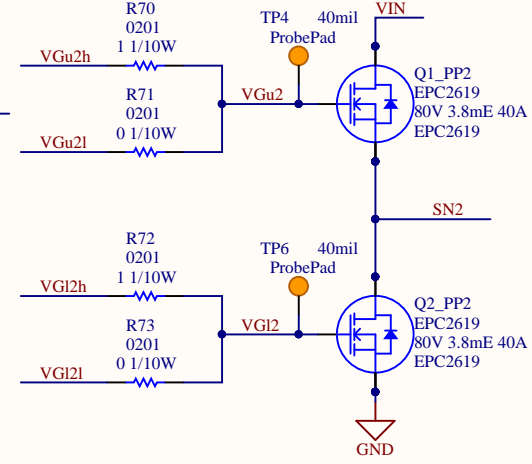
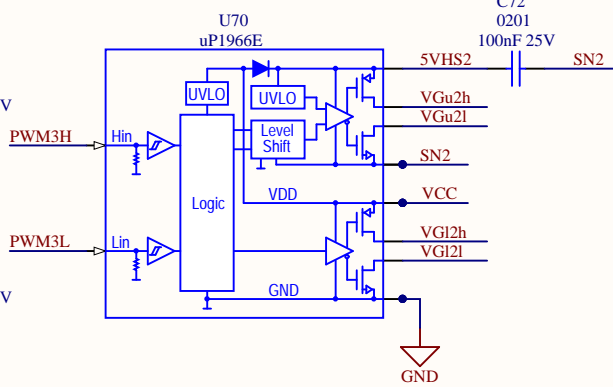
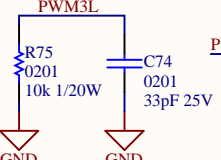
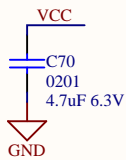
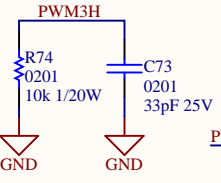
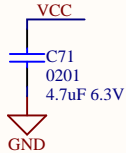
80 Vmax.



HF Input loop Capacitors



Primary-side Gate Drivers



For evaluation only;
not FCC approved for resale

PCB1
B5458_1.0

Title: Primary Full Bridge with EPC2619 and Gate Drivers uP1966E		© EPC 2023
Design #: EPC9556P	PCB #: B5458	Efficient Power Conversion
Revision 1.0	Revision: 1.0	909 Pacific Coast Hwy. Ste 230
Date: 9/7/2023	Sheet 1 of 1	EI Segundo, CA 90245
File: EPC9556P_B5458_Rev1.0_SCHDOC		U.S.A.
		www.epc-co.com

