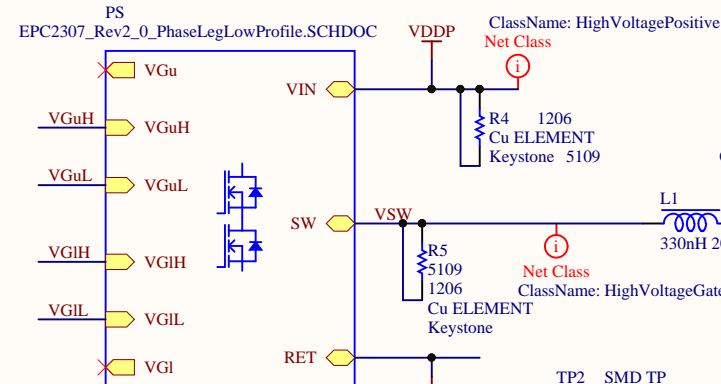


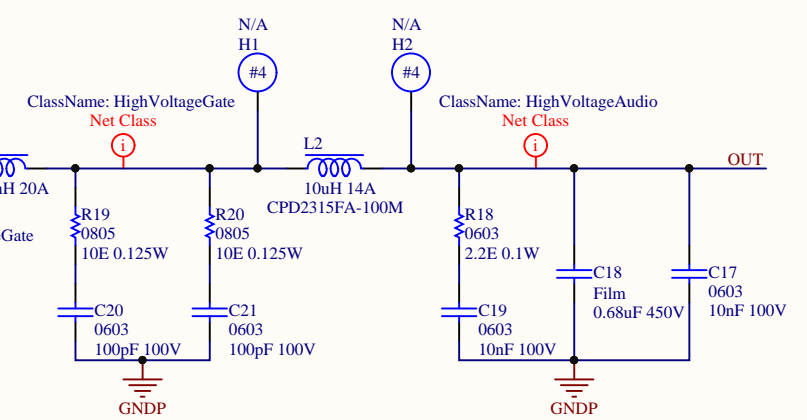
Net Class
ClassName: HighVoltageGate

Bus Capacitors



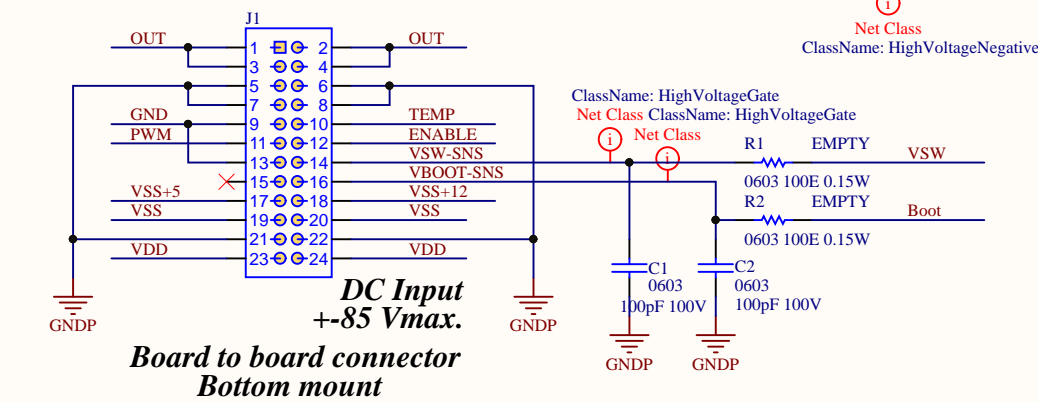
Power Stage

TP2 SMD TP
Keystone5015

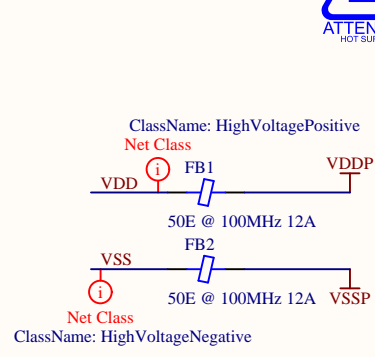


Snubber

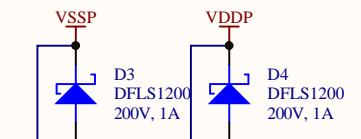
LPF



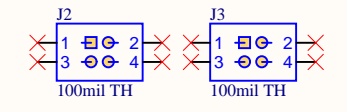
DC Input
+-85 Vmax.
Board to board connector
Bottom mount



770Ohm @ 110°C



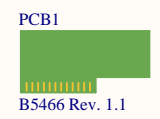
Dummies



For evaluation only;
not FCC approved for resale



FD1 PCB Fiducial
FD2 PCB Fiducial
FD3 PCB Fiducial



Power Board for Audio Class-D Amplifier

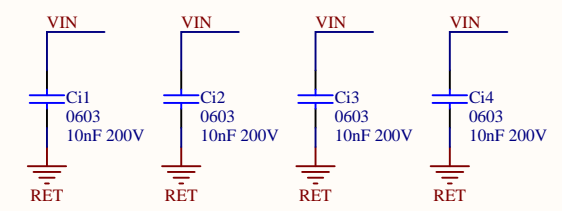
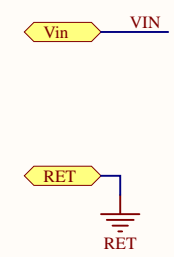
© EPC eGaN® FET

Title: EPC9558P B5466 Rev. 1.1		Efficient Power Conversion 909 N. Pacific Coast Hwy, Ste. 23 El Segundo, CA 90245 United States www.epc-co.com	
Size: A	1	Revision: 2	
Date: 11/13/2023	Sheet 1 of 3		
File: EPC9558P_B5466_Rev2_0_Mdr.SCHDOC			

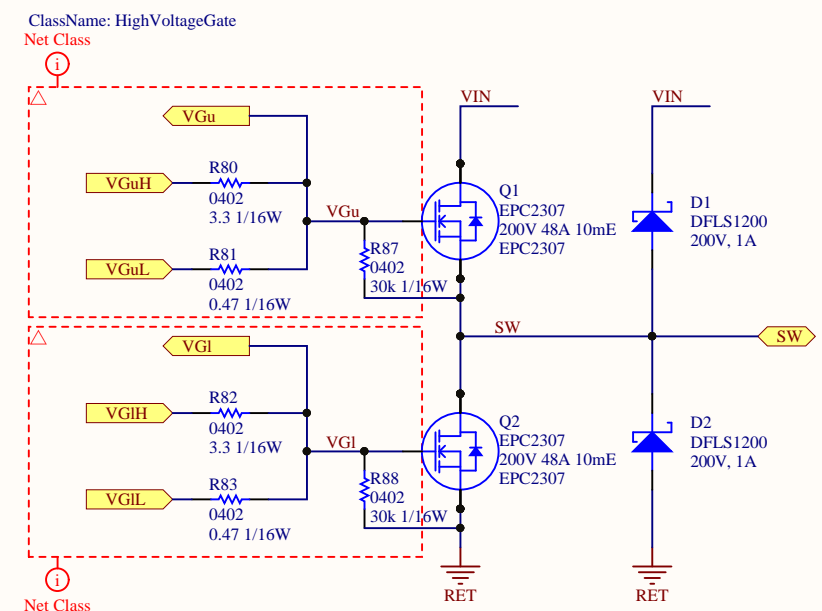


A

A



HF loop Capacitors



Power Stage *Optional Diodes*

B

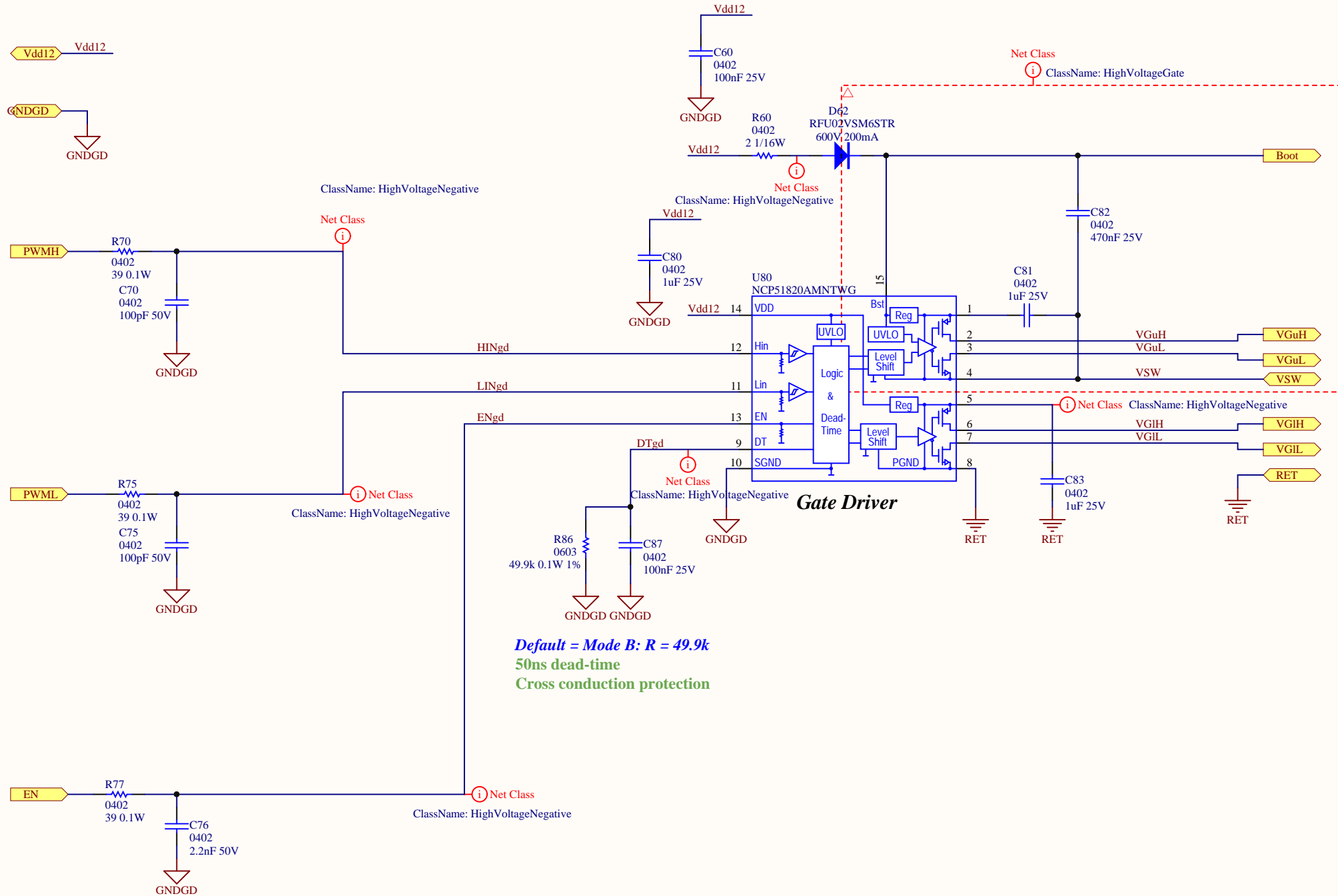
B

C

C


D

D



Default = Mode B: R = 49.9k
 50ns dead-time
 Cross conduction protection

650 V Gate Driver using NCP51820

Title AP1029 Rev. 3.0		Efficient Power Conversion 909 N. Pacific Coast Hwy, Ste. 23 El Segundo, CA 90245 United States www.epc-co.com	
Size: A	3	Revision: 2	
Date: 11/13/2023	Sheet 3 of 3		
File: EPC9558P_Rev2_0_NCP51820_GateDriver.SCHDOC			