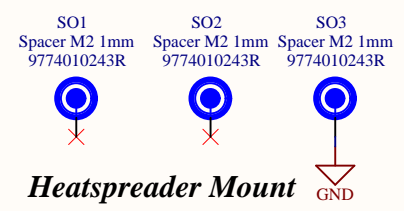
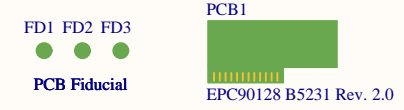


For evaluation only;
not FCC approved for resale



© EPC eGaN® FET
Evaluation Board Main Schematic

Title: EPC90128_B5231_Rev2_0		Efficient Power Conversion 909 N. Pacific Coast Hwy, Ste. 223 El Segundo, CA 90245 United States www.epc-co.com	
Size: A	1	Revision: 1	
Date: 9/13/2022	Sheet 1 of 5		
File: EPC90128_B5231_Rev2_0.SCHDOC			



A

A

B

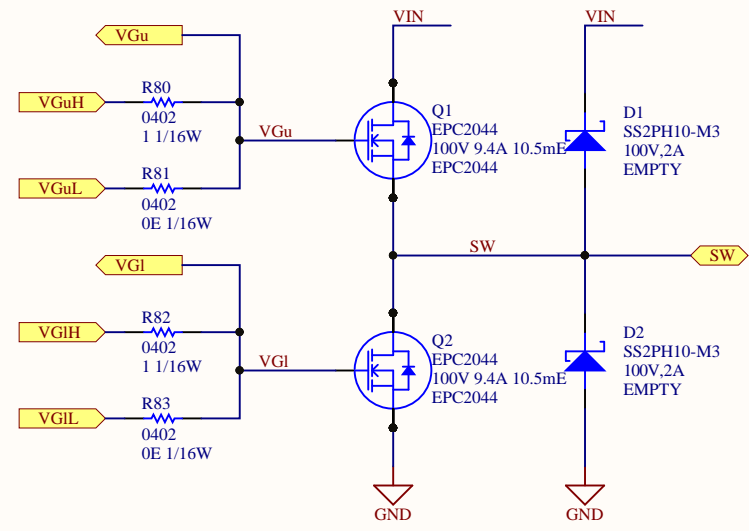
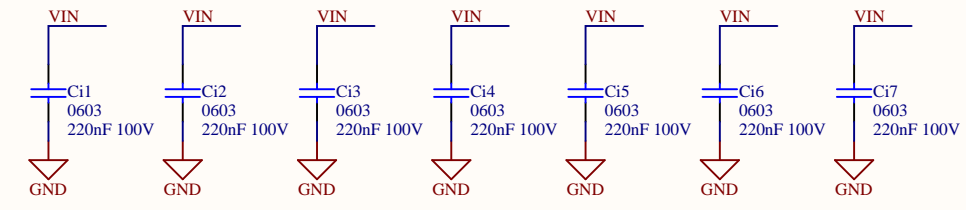
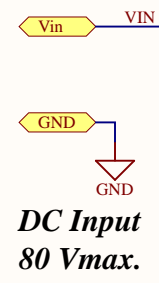
B

C

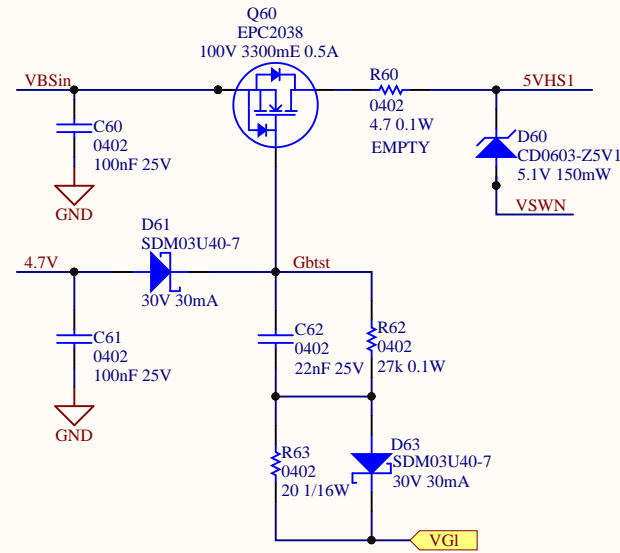
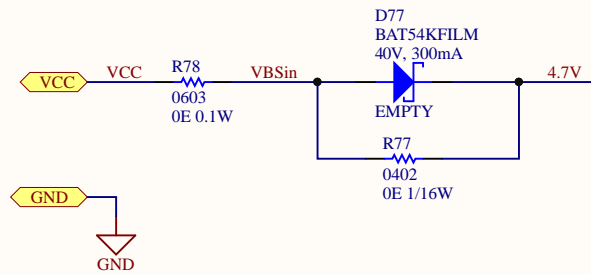
C

D

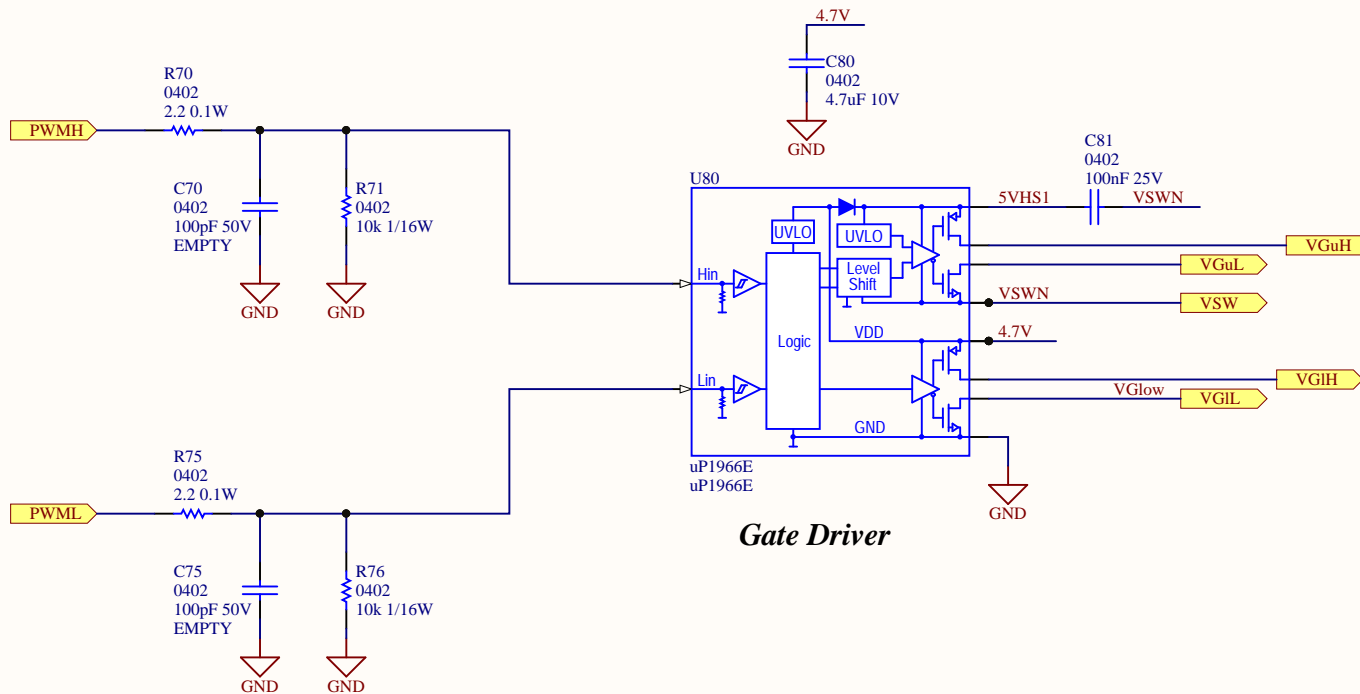
D



Sync Boot = Install R60 and D77, remove R77
 No Sync Boot = Install R77, remove R60 and D77
 Default = No Sync Boot



Synchronous Bootstrap Power Supply

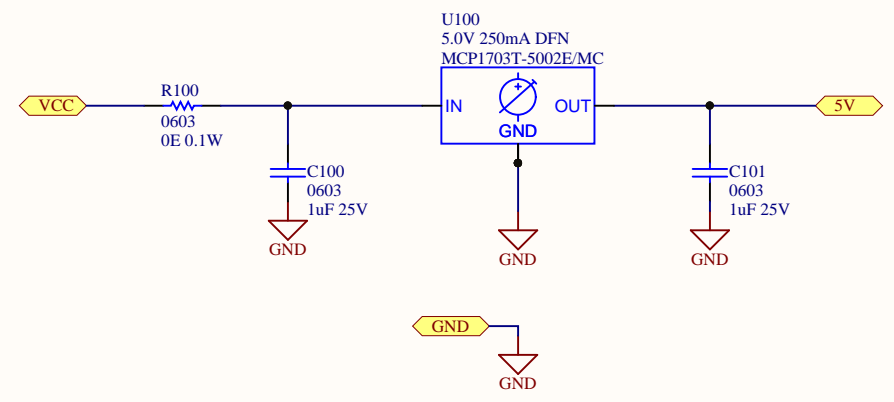


Gate Driver

100 V Gate Driver with Bootstrap

Title AP1017 Rev. 2.1		Efficient Power Conversion 909 N. Pacific Coast Hwy, Ste. 23 El Segundo, CA 90245 United States www.epc-co.com	
Size: A	3	Revision: 1	
Date: 9/9/2022	Sheet 3 of 5		
File: AP1017_Rev2_1_100VBGA_GateDriverWboot.SCHDOC			

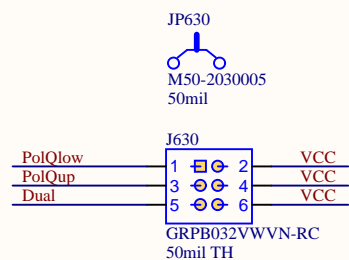
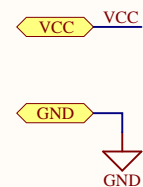




12 V to 5 V LDO power supply

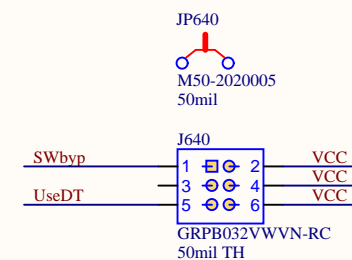
Title AP1006 Rev. 2.0		Efficient Power Conversion 909 N. Pacific Coast Hwy, Ste. 23 El Segundo, CA 90245 United States www.epc-co.com	
Size: A	4	Revision: 1	
Date: 9/9/2022	Sheet 4 of 5		
File: AP1006_Rev2_01_12Vto5VlinPSU.SCHDOC			





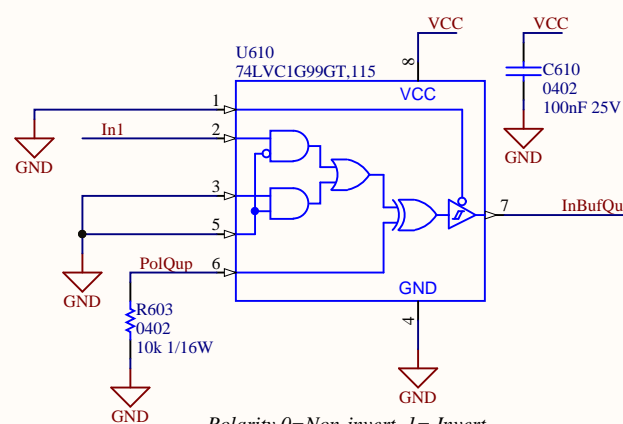
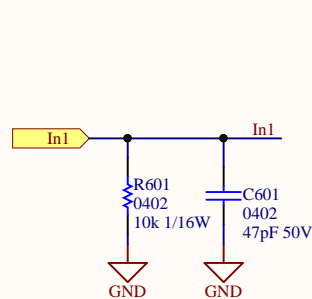
Buck Single Signal
Boost Single Signal
Dual Signal

Dual/Single PWM, Buck, and Boost Mode Selector



Full Bypass
DT Bypass
No Bypass

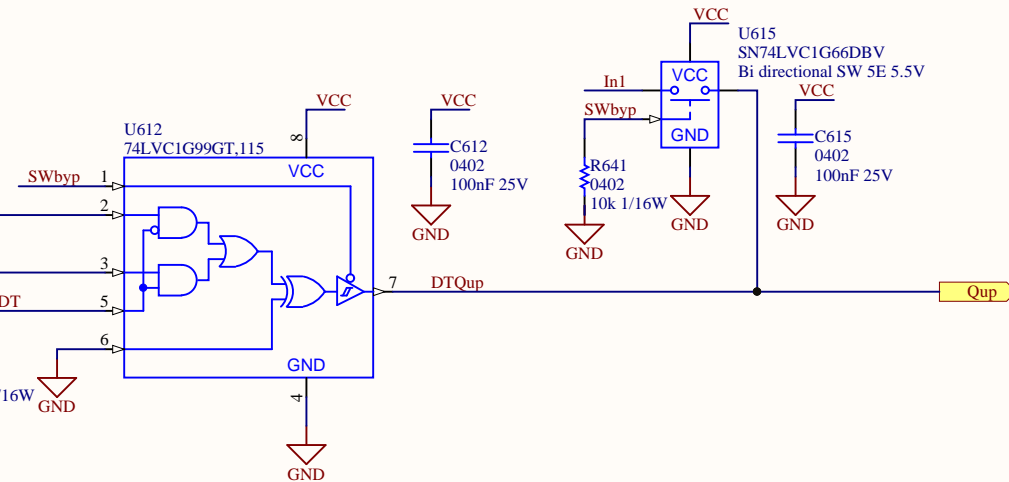
Bypass Mode Select



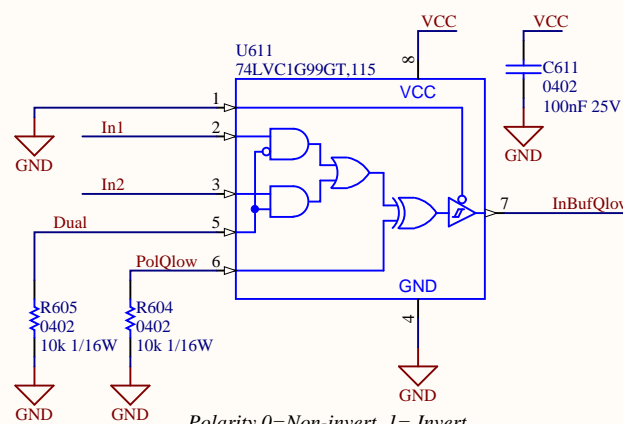
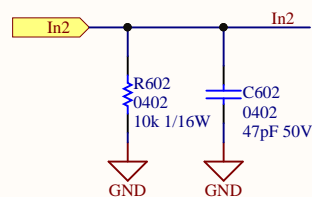
Polarity 0=Non-invert, 1= Invert

Signal Polarity and Input Buffers

Deadtime Upper
Default = 10 ns

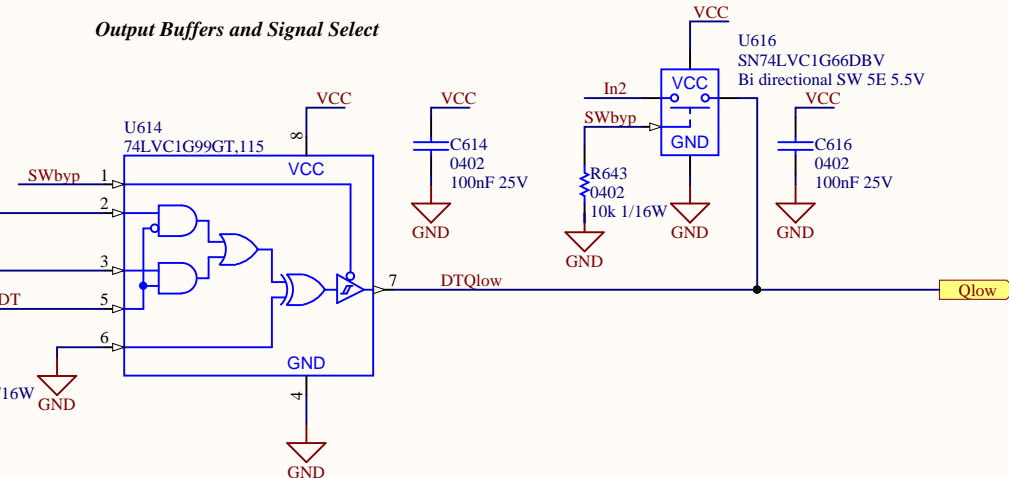


Output Buffers and Signal Select



Polarity 0=Non-invert, 1= Invert

Deadtime Lower
Default = 10 ns



General Dead-time with Polarity Changer and Bypass

Title AP1010 Rev. 3.0		Efficient Power Conversion 909 N. Pacific Coast Hwy, Ste. 23 El Segundo, CA 90245 United States www.epc-co.com		
Size: A	5	Revision: 1		
Date: 9/9/2022		Sheet 5 of 5		
File: AP1010_Rev3_02_GeneralDeadtime.SCHDOC				