
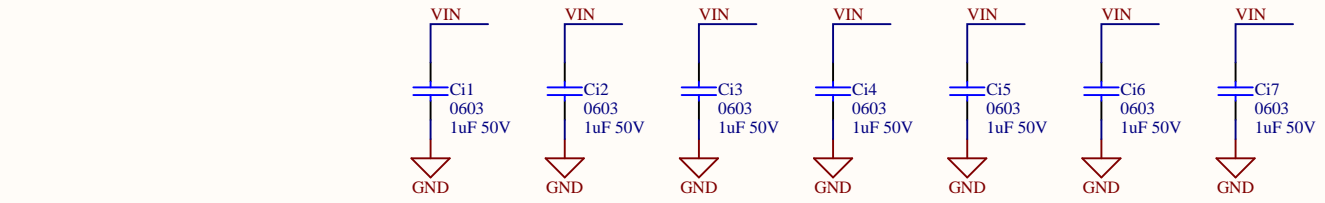


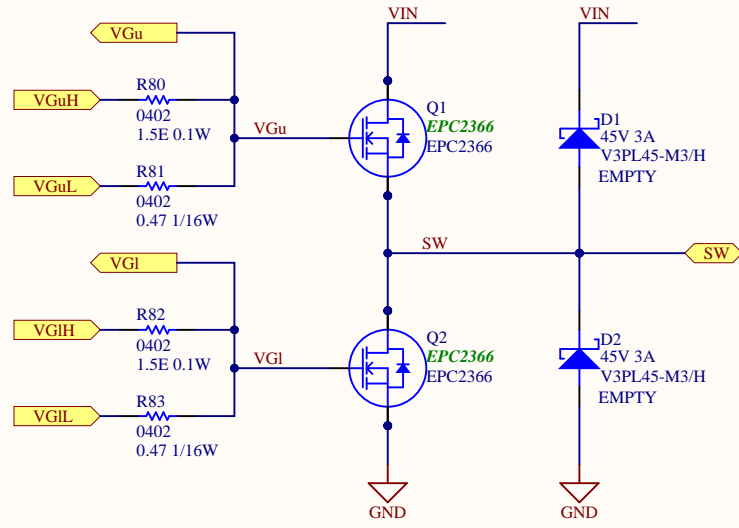
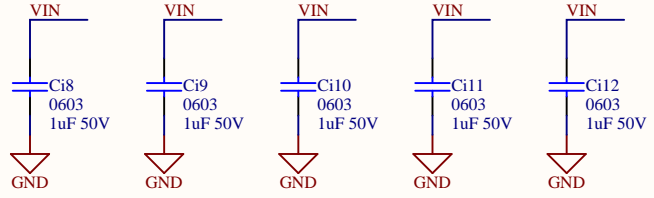
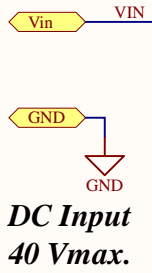
Serial# yyww-nnn

For evaluation only;  
not FCC approved for resale

Title: Main Schematic		© EPC 2025
Design #: EPC90167	PCB #: B5522	Efficient Power Conversion 909 Pacific Coast Hwy, Ste 230 El Segundo, CA 90245 U.S.A. <a href="http://www.epc-co.com">www.epc-co.com</a> 
Revision: 2.0	Revision: 2.0	
Date: 12/17/2025	Sheet: 1 of 5	
File: D1057_B5522_Rev2_0_SCHDOC		



**HF loop Capacitors**

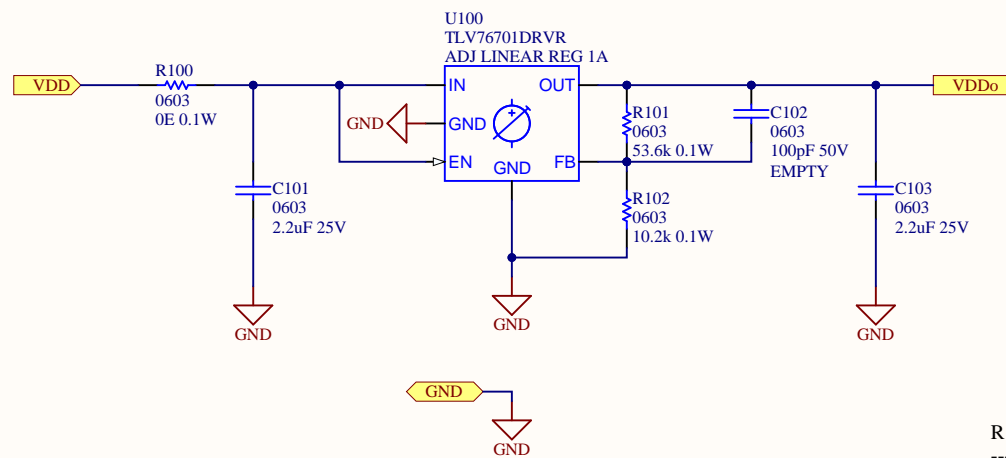


**Power Stage**


**Optional Diodes**

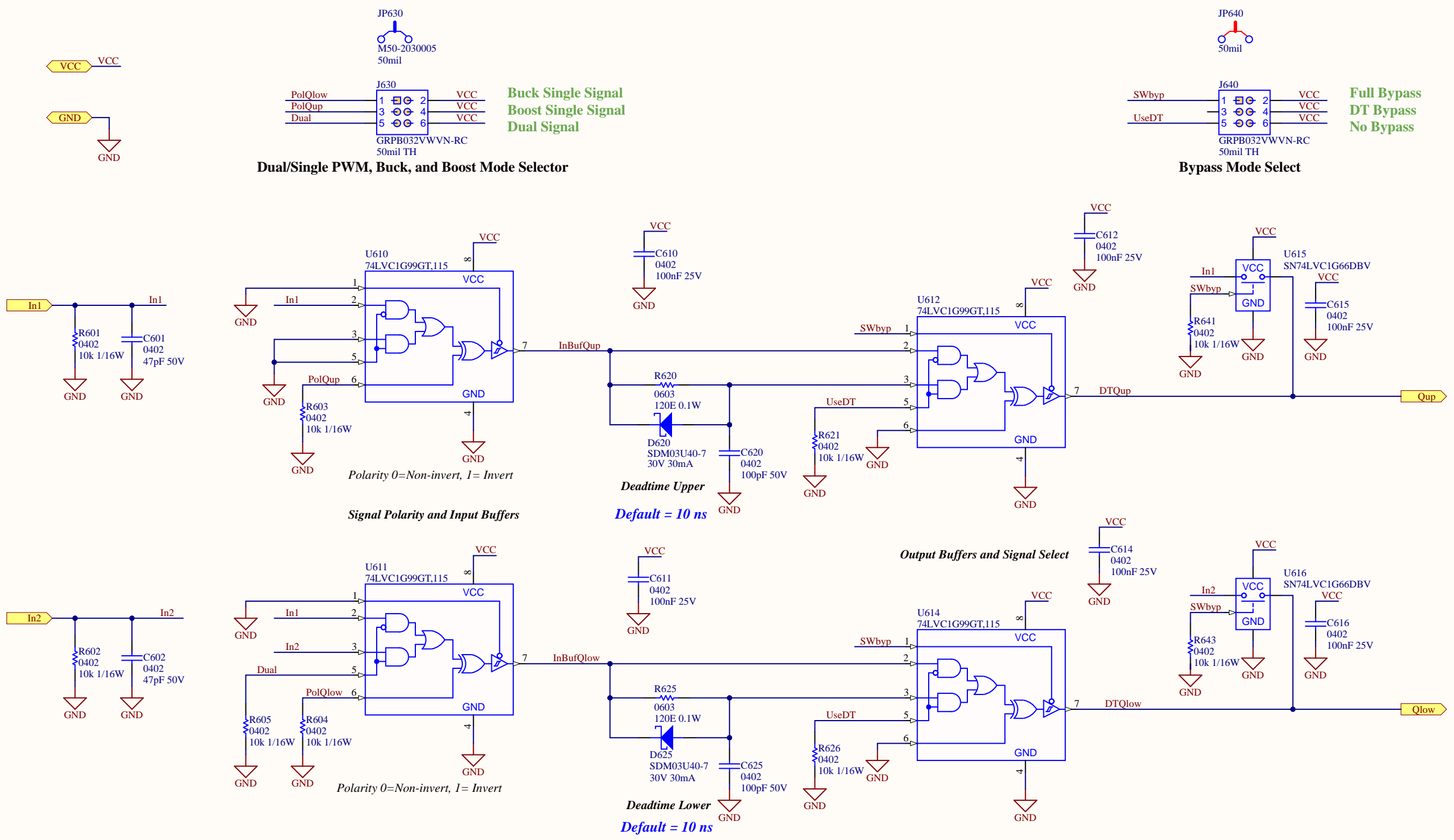
Title: <b>HB Sub Schematic - Phase Leg</b>		© EPC 2025
Design #: <b>D1057 Phase Leg</b>	Efficient Power Conversion	
Revision <b>1.0</b>	P/N#: <b>EPC2366</b>	909 Pacific Coast Hwy. Ste 230
Date: 12/17/2025	Sheet <b>2</b> of <b>5</b>	El Segundo, CA 90245
File: D1057_Rev1_0_PhaseLeg.SCHDOC	U.S.A.	
		<a href="http://www.epc-co.com">www.epc-co.com</a>






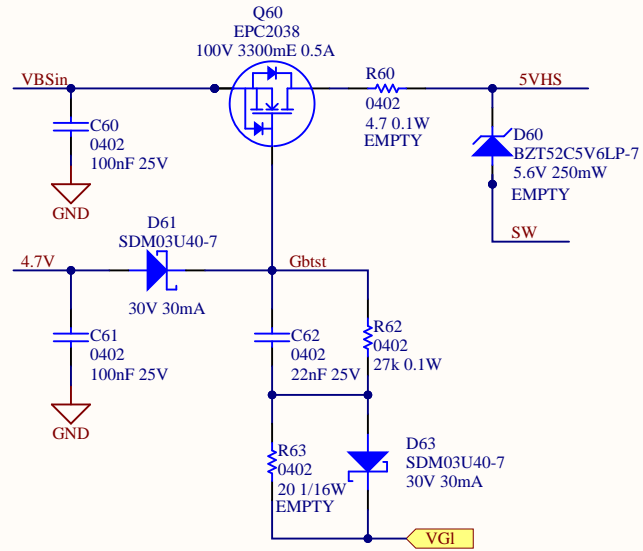
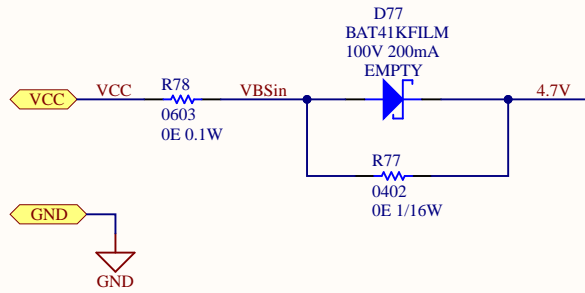
R101   R102   VDDo
53.6k   10.2k   5V
54.9k   10.2k   5.1V
56.2k   10.2k   5.2V
54.9k   9.76k   5.3V
56.2k   10.2k   5.4V
60k   10.2k   5.5V

Title: 16 V to 5 V, 1 A Linear Regulator		© EPC 2025
Design #: AP1092		Efficient Power Conversion 909 Pacific Coast Hwy, Ste 230 El Segundo, CA 90245 U.S.A. <a href="http://www.epc-co.com">www.epc-co.com</a> 
Revision 1.0		
Date: 12/16/2025	Sheet 3 of 5	
File: AP1092_Rev1_0.SCHDOC		

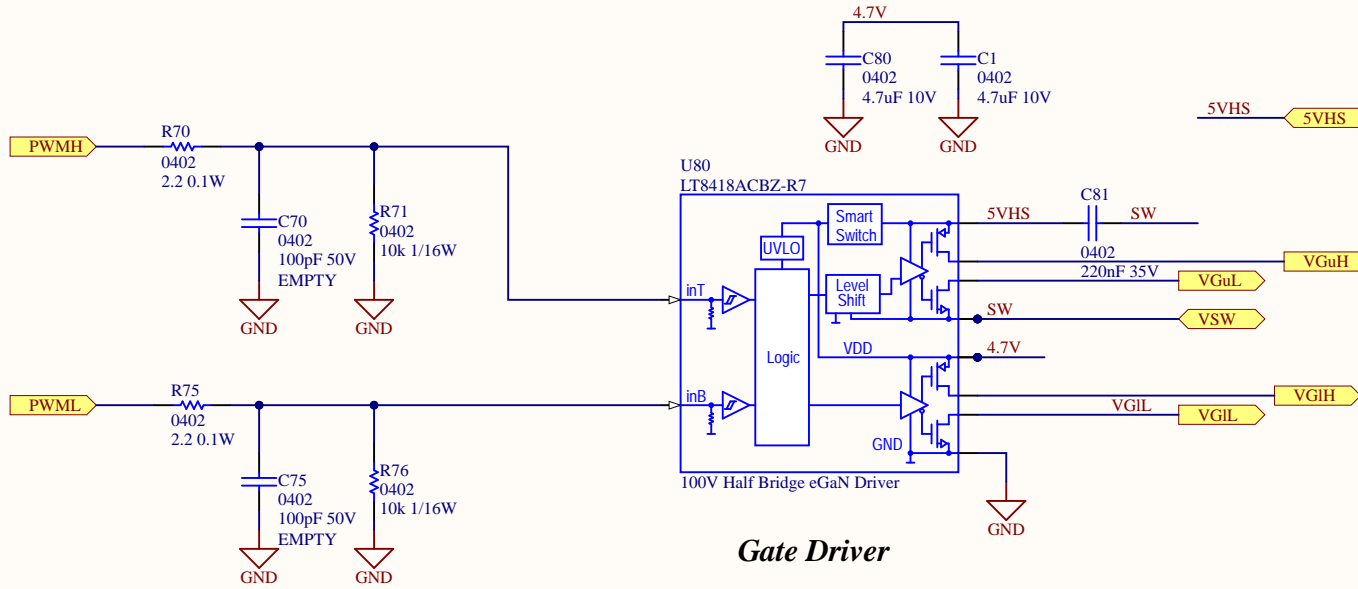


Title: General Dead-time with Polarity Changer and Bypass		© EPC 2025
Design #: AP1010		Efficient Power Conversion 909 Sepulveda Blvd. Ste 230 El Segundo, CA 90245 U.S.A. <a href="http://www.epc-co.com">www.epc-co.com</a> 
Revision 3.2		
Date: 12/17/2025	Sheet 4 of 5	
File: AP1010_Rev3.2_SCHDOC		


Sync Boot = Install R60, D60 and D77, remove R77  
 No Sync Boot = Install R77, remove R60, D60 and D77  
 Default = No Sync Boot



**Synchronous Bootstrap Power Supply**



**Gate Driver**

Title: 100 V HB Gate Driver with Synchronous Bootstrap		© EPC 2025
Design #: AP1091		Efficient Power Conversion 909 Pacific Coast Hwy, Ste 230 El Segundo, CA 90245 U.S.A. <a href="http://www.epc-co.com">www.epc-co.com</a> 
Revision 1.0		
Date: 12/17/2025	Sheet 5 of 5	
File: AP1091_Rev1_0.SCHDOC		