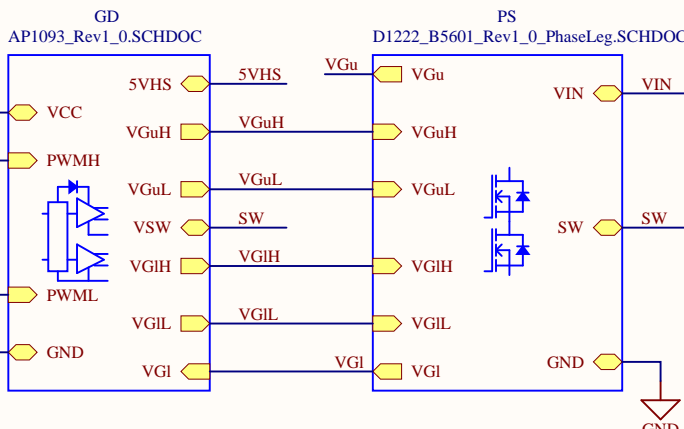
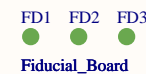
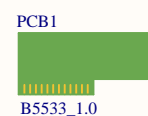
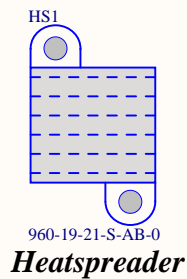
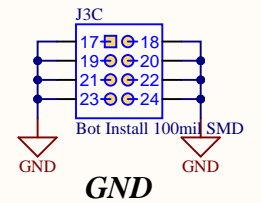
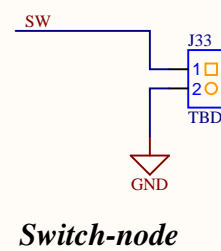
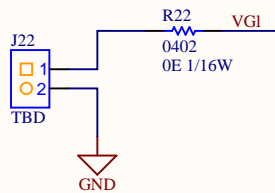
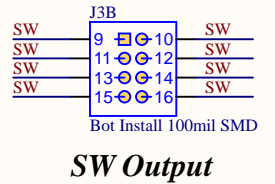
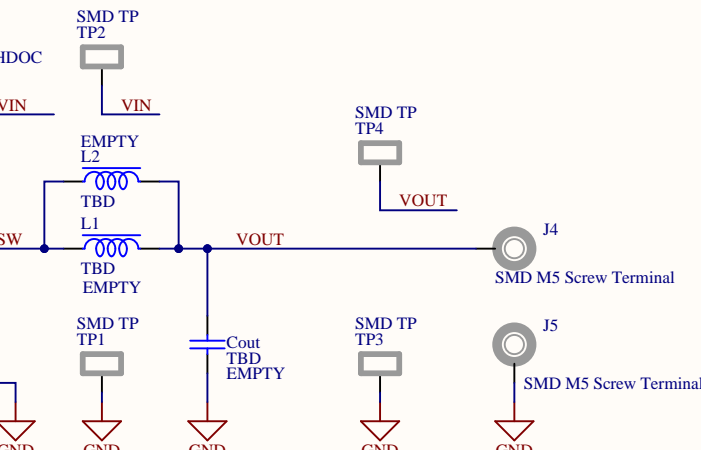


dead-time and buffers



Gate Driver

Power Stage

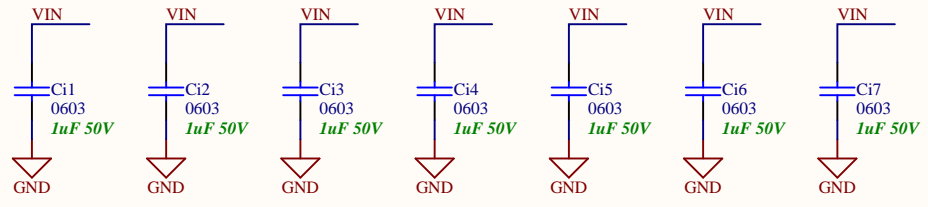


Serial# yyww-nnn

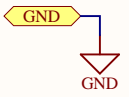
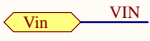
For evaluation only;
not FCC approved for resale

| | | |
|---------------------------------|----------------------|--------------------------------|
| Title: Main Schematic | | © EPC 2025 |
| Design #: EPC90185 | PCB #: B5533 | Efficient Power Conversion |
| Revision: 1.0 | Revision: 1.0 | 909 Pacific Coast Hwy. Ste 230 |
| Date: 5/26/2026 | Sheet: 1 of 5 | EI Segundo, CA 90245 |
| File: D1222_B5601_Rev1_0.SCHDOC | | U.S.A. |
| | | www.epc-co.com |

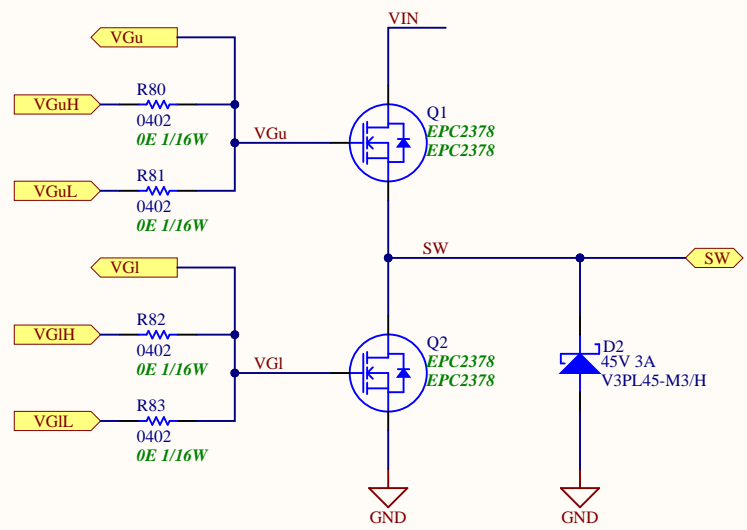
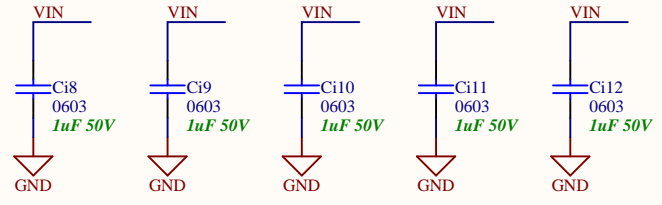




HF loop Capacitors



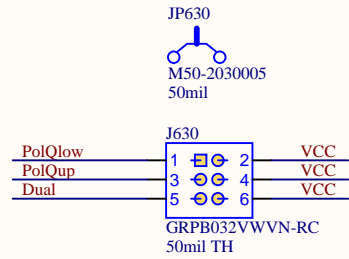
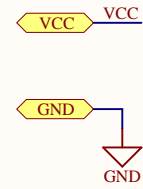
**DC Input
40 Vmax.**



Power Stage

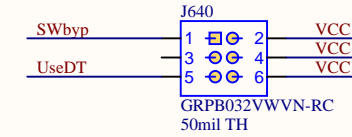
Optional Diodes

| | | |
|--|----------------------|--|
| Title: HB Sub Schematic - Phase Leg | | © EPC 2026 |
| Design #: D1222 Phase Leg | | Efficient Power Conversion 909 Pacific Coast Hwy. Ste 230 El Segundo, CA 90245 U.S.A. www.epc-co.com |
| Revision 1.0 | P/N#: EPC2378 | |
| Date: 5/26/2026 | Sheet 2 of 5 | |
| File: D1222_B5601_Rev1_0_PhaseLeg.SCHDOC | | |



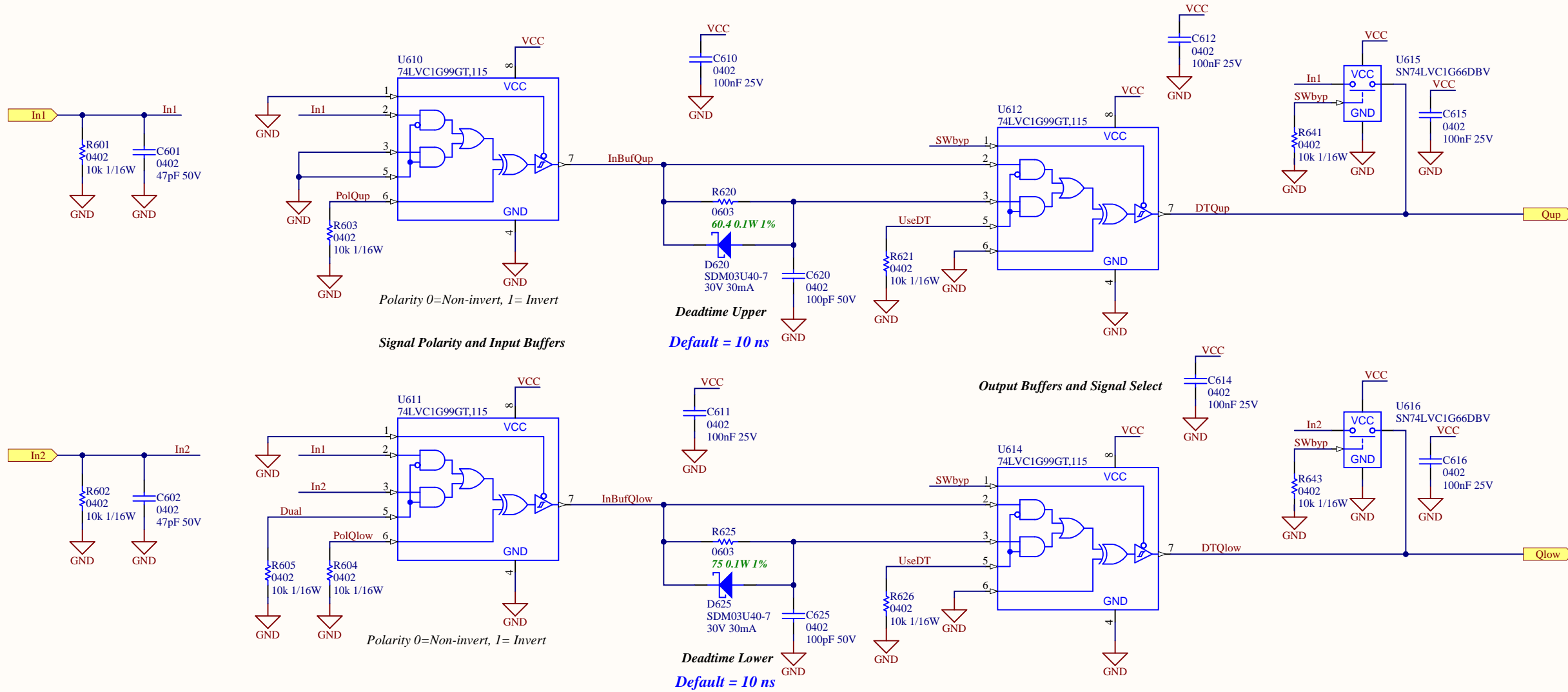
Buck Single Signal
Boost Single Signal
Dual Signal

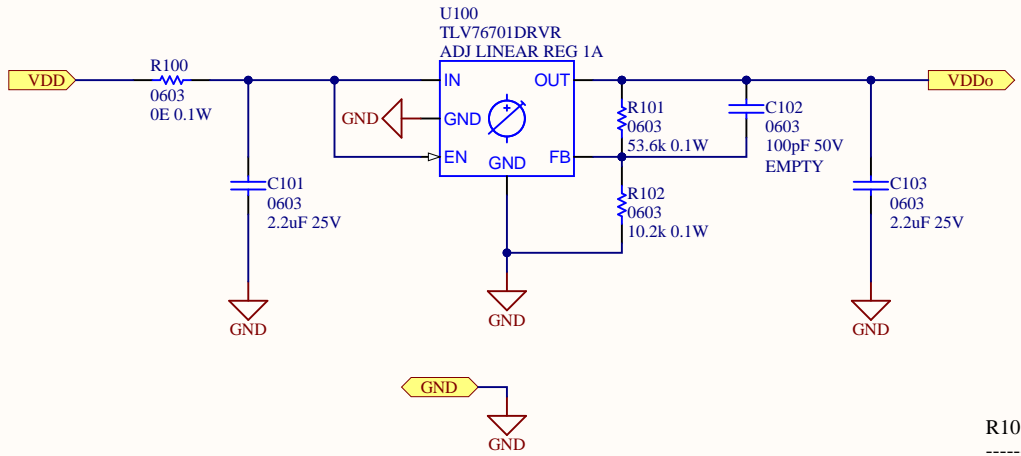
Dual/Single PWM, Buck, and Boost Mode Selector



Full Bypass
DT Bypass
No Bypass

Bypass Mode Select





| R101 R102 VDDo |
|----------------------|
| 53.6k 10.2k 5V |
| 54.9k 10.2k 5.1V |
| 56.2k 10.2k 5.2V |
| 54.9k 9.76k 5.3V |
| 56.2k 10.2k 5.4V |
| 60k 10.2k 5.5V |

Title: 16 V to 5 V, 1 A Linear Regulator

© EPC 2025

Design #: AP1092

Revision 1.0

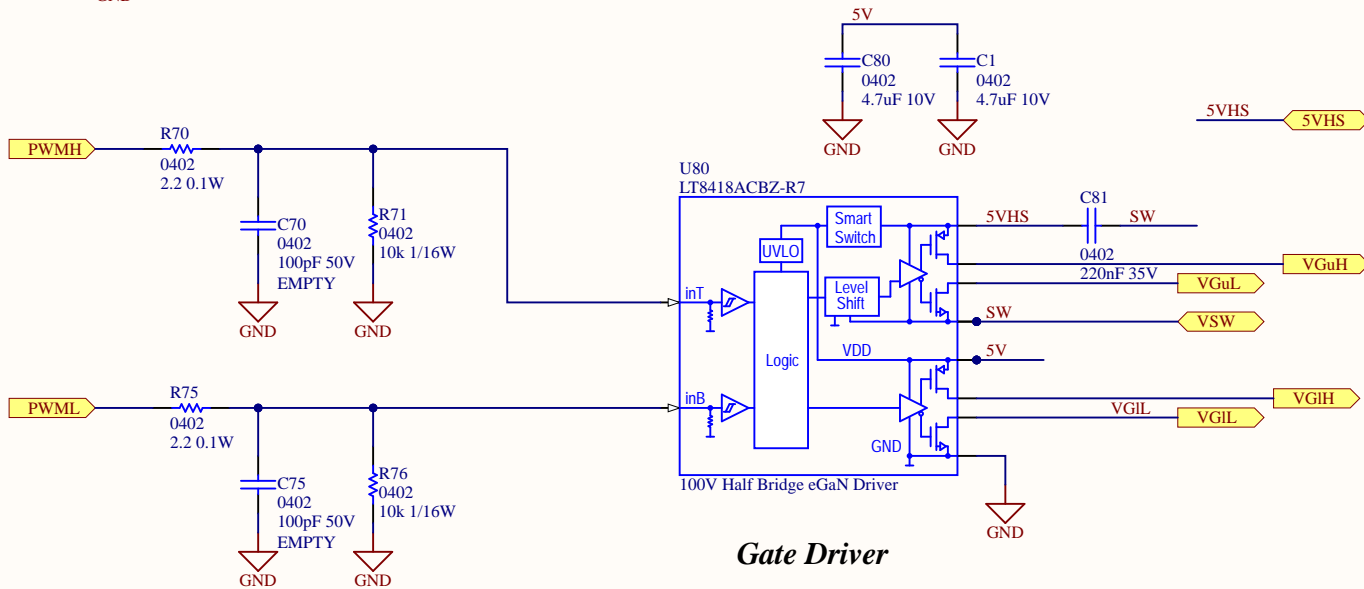
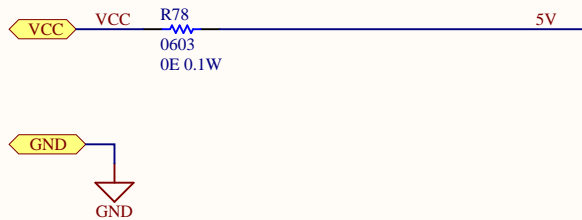
Date: 5/26/2026


Sheet 4 of 5

File: AP1092_Rev1_0.SCHDOC

Efficient Power Conversion
 909 Pacific Coast Hwy. Ste 230
 El Segundo, CA 90245
 U.S.A.
www.epc-co.com





| | | |
|-----------------------------|--------------|--|
| Title: 100 V HB Gate Driver | | © EPC 2026 |
| Design #: AP1093 | | Efficient Power Conversion 909 Pacific Coast Hwy. Ste 230 El Segundo, CA 90245 U.S.A. www.epc-co.com  |
| Revision 1.0 | | |
| Date: 5/26/2026 | Sheet 5 of 5 | |
| File: AP1093_Rev1_0.SCHDOC | | |