

Figure 16: Power Stage schematic using EPC2054

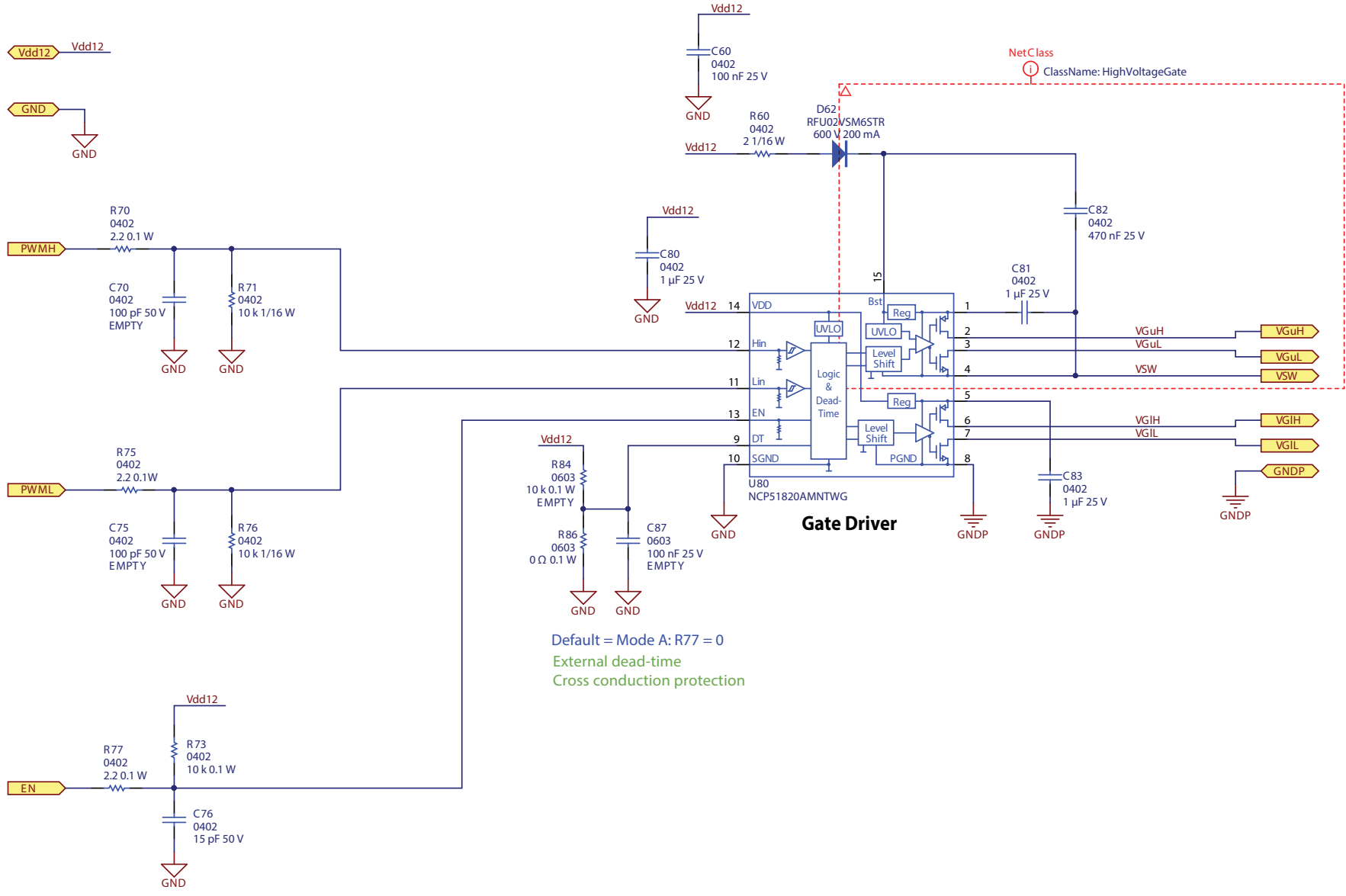


Figure 17: Gate Driver schematic

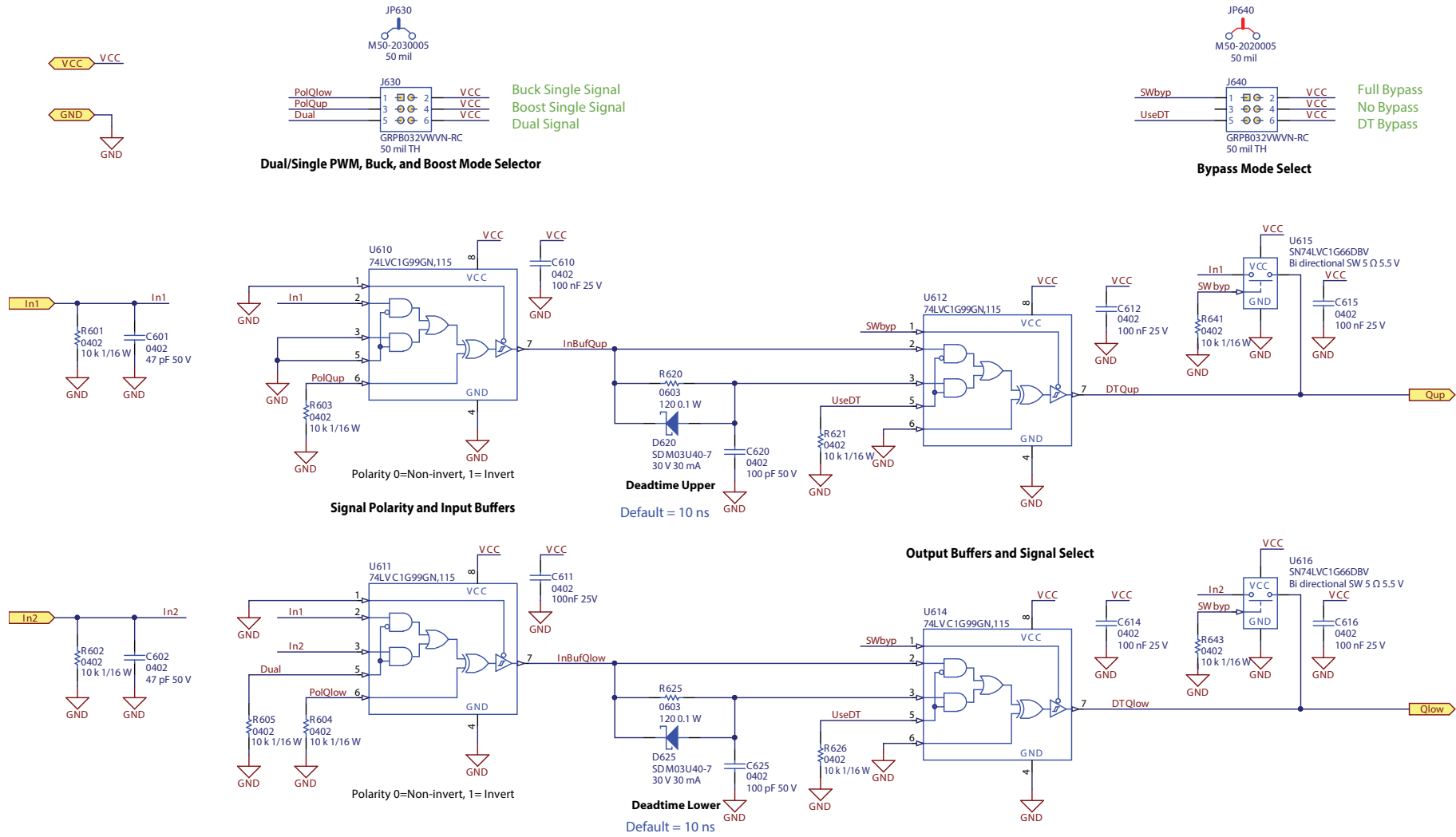


Figure 18: Dead-time and Bypass schematic

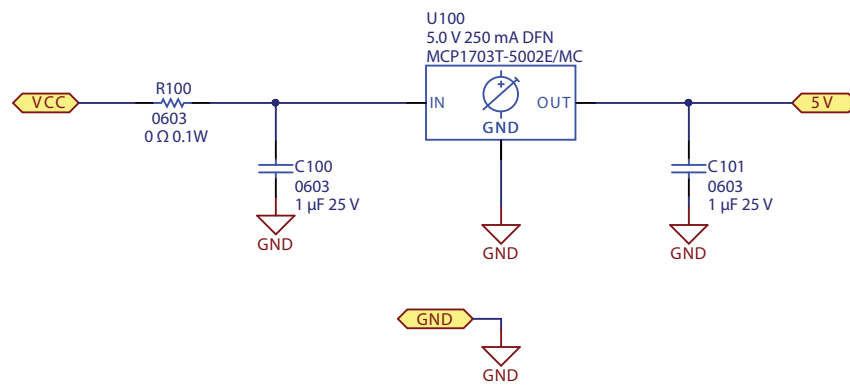


Figure 19: Logic Supply Regulator schematic