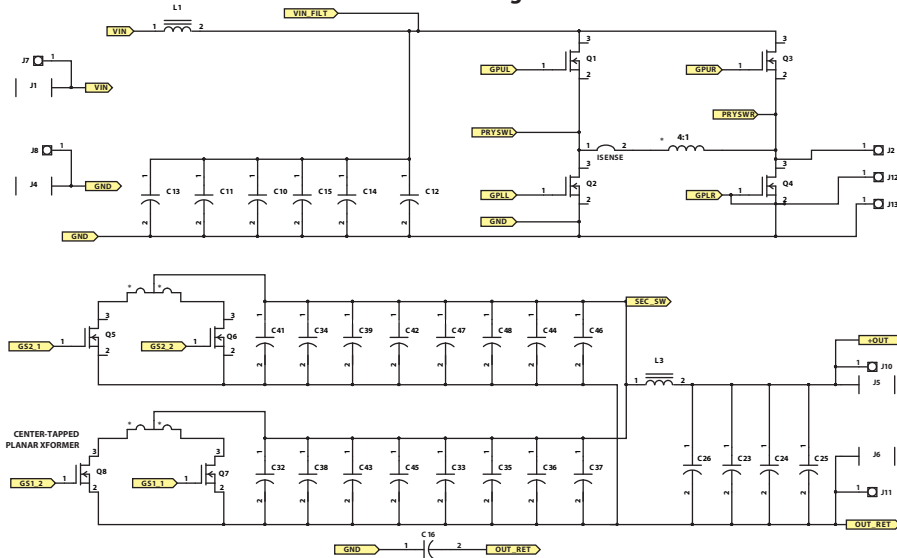
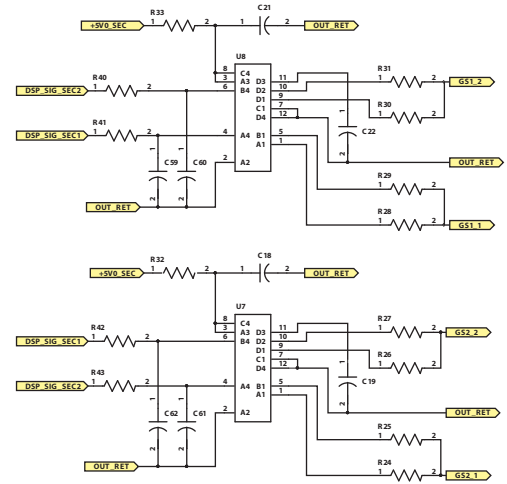


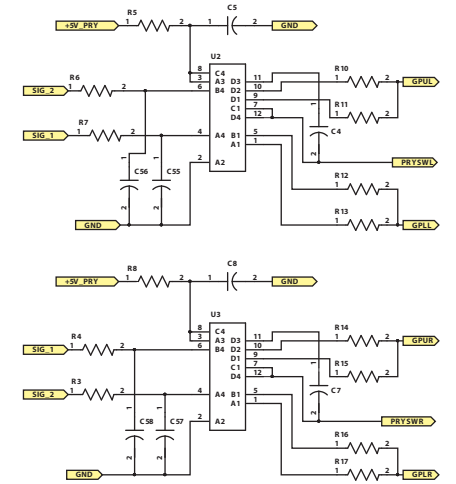
### Power Stage



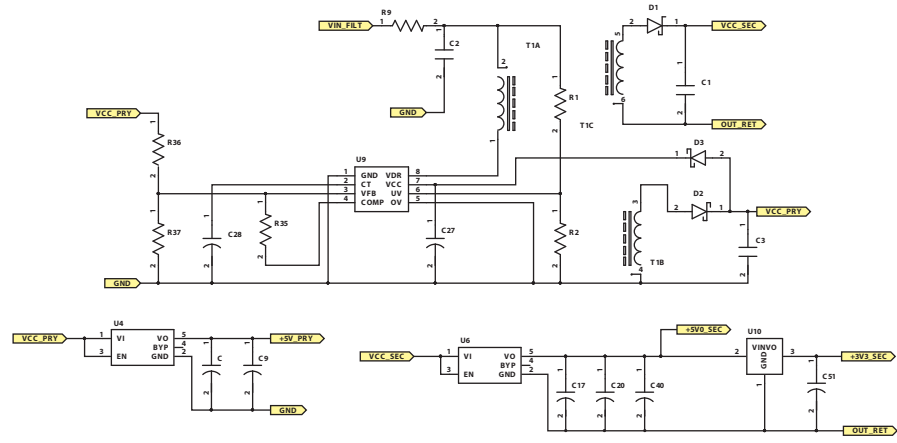
### Secondary Gate Drive



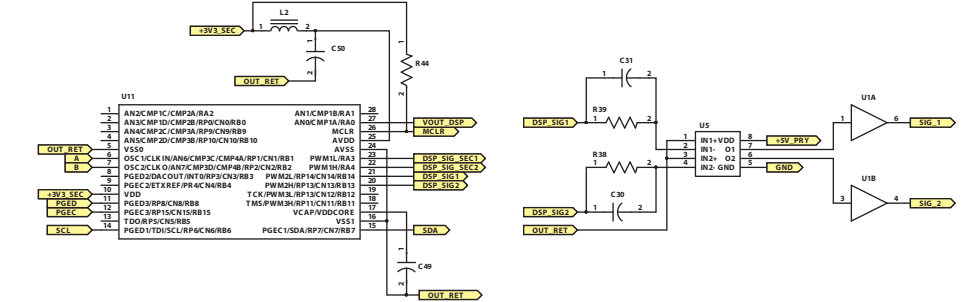
### Primary Gate Drive



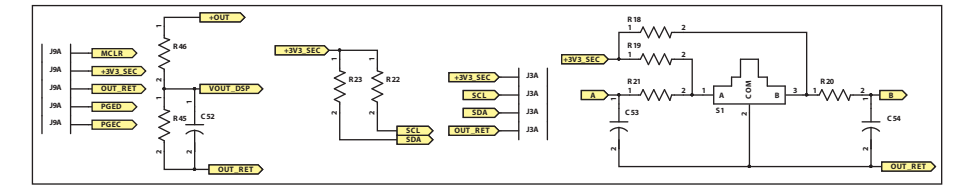
### Bias Supply



### Gate Signal Generation



### Non Connect Components



# EPC9105 Resonant Bus Converter